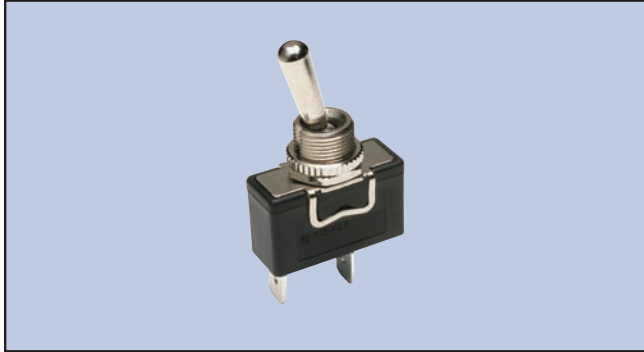


# Waterproof Bat Handle Toggle

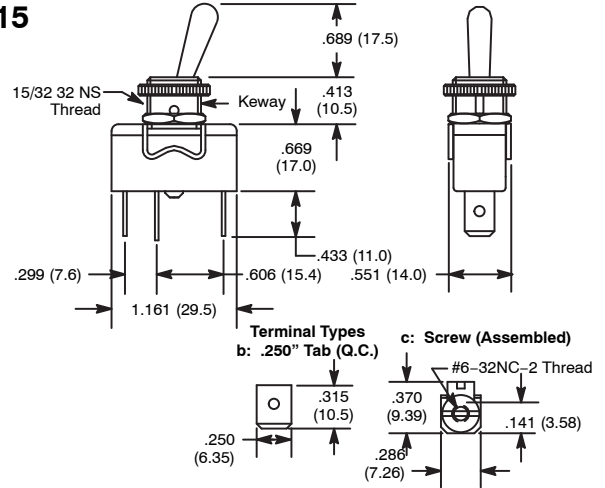


## Features

- Waterproof: IP56
- Single Pole Types
- Internal "O" Ring for Moisture and Dust Resistance
- .250" Quick Connect Terminals



## S115



NTE Type No.	Circuitry	Current Rating	Action			Actuator	Diag No.
NEW 54-348W#	SPST	B	ON	NONE	OFF	Brass/Nickel Plate	S115b
NEW 54-349W	SPDT	A	ON	NONE	ON	Brass/Nickel Plate	S115b
NEW 54-350W	SPDT	A	ON	OFF	ON	Brass/Nickel Plate	S115b
NEW 54-352W	SPDT	A	(ON)	OFF	(ON)	Brass/Nickel Plate	S115b
NEW 54-354W	SPST	B	ON	NONE	OFF	Brass/Nickel Plate	S115c
NEW 54-355W	SPDT	A	ON	NONE	ON	Brass/Nickel Plate	S115c
NEW 54-356W	SPDT	A	ON	OFF	ON	Brass/Nickel Plate	S115c
NEW 54-358W##	SPDT	A	(ON)	OFF	(ON)	Brass/Nickel Plate	S115c

SPECIAL NOTE: ( ) = Momentary Function  
 # UL for 16 Amp ONLY  
 ## UL for 12 Amp ONLY

## Specifications

**Current Rating:**  
 A: 16A 277VAC, 1 HP  
 B: 20A 277VAC, 1 HP

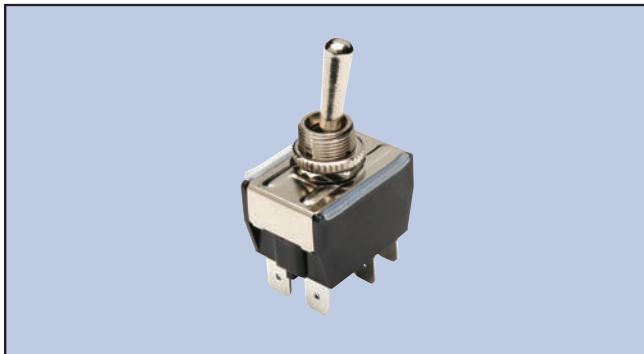
**Insulation Resistance:** 100 Megohms (min.) at 500VDC  
**Dielectric Strength:** 1500V RMS (min.)  
**Temperature Rating:** +32°F to +149°F (0°C to +65°C)  
**Electrical Life:** 6,000 cycles  
**Mechanical Life:** 10,000 cycles at full load  
**Terminal Type:** Refer to Diag No. in Table  
**Mounting Hole:** .472 (12.0)

# Waterproof Bat Handle Toggle

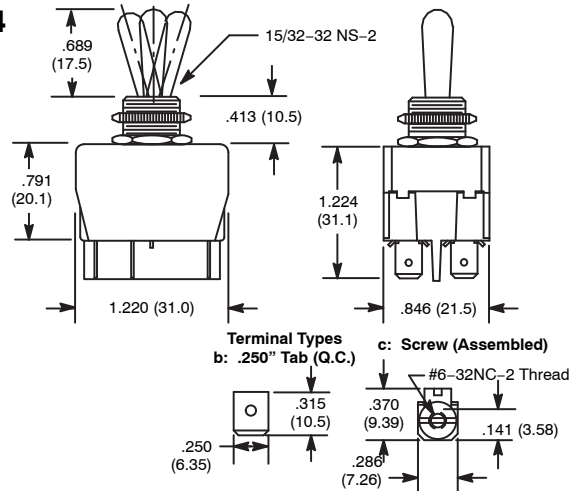


## Features

- Waterproof: IP56
- Double Pole Types
- Internal "O" Ring for Moisture and Dust Resistance
- .250" Quick Connect Terminals



## S114



NTE Type No.	Circuitry	Current Rating	Action			Actuator	Diag No.
NEW 54-360W	DPDT	A	ON	NONE	ON	Brass/Nickel Plate	S114b
NEW 54-361W	DPDT	A	ON	OFF	ON	Brass/Nickel Plate	S114b
NEW 54-364W	DPDT	A	(ON)	OFF	(ON)	Brass/Nickel Plate	S114b
NEW 54-366W##	DPST	B	ON	NONE	OFF	Brass/Nickel Plate	S114b
NEW 54-367W##	DPST	B	ON	NONE	OFF	Brass/Nickel Plate	S114c
NEW 54-369W	DPDT	A	ON	NONE	ON	Brass/Nickel Plate	S114c
NEW 54-370W##	DPDT	A	ON	OFF	ON	Brass/Nickel Plate	S114c
NEW 54-373W	DPDT	A	(ON)	OFF	(ON)	Brass/Nickel Plate	S114c

SPECIAL NOTE: ( ) = Momentary Function  
 ## UL for 12 Amp ONLY

## Specifications

**Current Rating:**  
 A: 16A 277VAC, 1 HP  
 B: 20A 277VAC, 1 HP

**Insulation Resistance:** 100 Megohms (min.) at 500VDC  
**Dielectric Strength:** 1500V RMS (min.)  
**Temperature Rating:** +32°F to +149°F (0°C to +65°C)  
**Electrical Life:** 6,000 cycles  
**Mechanical Life:** 10,000 cycles at full load  
**Terminal Type:** Refer to Diag No. in Table  
**Mounting Hole:** .472 (12.0)

## X-ON Electronics

Largest Supplier of Electrical and Electronic Components

*Click to view similar products for [nte manufacturer](#):*

Other Similar products are found below :

[747](#) [797](#) [868](#) [NEH680M50FE](#) [NEHH1.0M450CB](#) [NTE48](#) [NTE526A](#) [228A](#) [231](#) [954](#) [2023](#) [510](#) [R04-11A30-120](#) [04-SLPE3750A](#) [5615](#) [591](#)  
[7056](#) [7448](#) [NEH.10M50AA](#) [NEH2.2M63AA](#) [NEH330M35DD](#) [NEH33M10AA](#) [NEV.22M100AA](#) [NTE528](#) [NTE542](#) [NTE74154](#) [04-](#)  
[SCBW25L-BK](#) [04-SCBW32L-BK](#) [04-SCW10C-BK](#) [04-SCBW19L-GR](#) [04-SCW19L-WH](#) [04-SCW19L-OR](#) [04-SCW38L-WH](#) [04-SCBW50L-](#)  
[OR](#) [04-SCBW50L-GR](#) [04-SCW10C-GR](#) [04-SCW10C-OR](#) [04-SCBW32L-GR](#) [04-SCBW32L-WH](#) [04-SCBW32L-OR](#) [04-SCBW6C-WH](#) [04-](#)  
[SCBW6C-GR](#) [04-SCBW6C-OR](#) [04-SCBW25L-GR](#) [04-SCBW25L-WH](#) [04-ESNF-500L](#) [04-SL.625-R-5](#) [04-SCW5C-WH](#) [04-ESNF-1000L](#)  
[04-SL1.00-O](#)