



ELECTRONICS, INC.  
 44 FARRAND STREET  
 BLOOMFIELD, NJ 07003  
 (973) 748-5089  
<http://www.nteinc.com>

## NTE102A (PNP) & NTE103A (NPN) Germanium Complementary Transistors Medium Power Amplifier

**Description:**

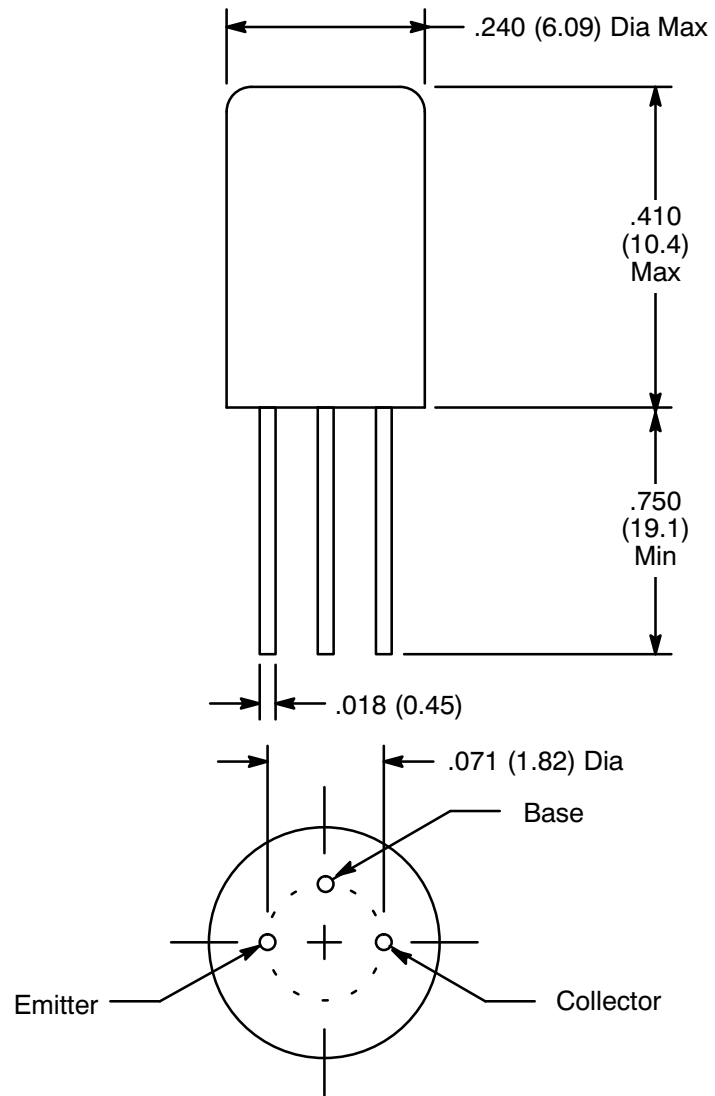
The NTE102A (PNP) and NTE103A (NPN) are Germanium complementary transistors in a TO1 type package designed for use as a medium power amplifier.

**Absolute Maximum Ratings:** ( $T_A = +25^\circ\text{C}$  unless otherwise specified)

Collector-Base Voltage, $V_{CBO}$ .....	32V
Emitter-Base Voltage, $V_{EBO}$ .....	10V
Collector Current, $I_C$ .....	1A
Power Dissipation, $P_C$ .....	650mW
Operating Junction Temperature, $T_J$ .....	+90°C
Storage Temperature Range, $T_{stg}$ .....	-55° to +90°C

**Electrical Characteristics:** ( $T_A = +25^\circ\text{C}$  unless otherwise specified)

Parameter	Symbol	Test Conditions	Min	Typ	Max	Unit
Collector-Base Voltage	$V_{CBO}$	$I_C = 200\mu\text{A}, I_E = 0$	32	-	-	V
Collector Cutoff Current	$I_{CBO}$	$V_{CB} = 10\text{V}, I_E = 0$	-	-	25	$\mu\text{A}$
DC Current Gain	$h_{FE1}$	$V_{CB} = 0, I_E = 50\text{mA}$	63	-	295	
	$h_{FE2}$	$V_{CB} = 0, I_E = 300\text{mA}$	69	-	273	
Common-Emitter Cutoff Frequency	$f_{\alpha e}$	$V_{CB} = 2\text{V}, I_E = 10\text{mA}$	10	-	-	kHz
Collector-Emitter Saturation Voltage	$V_{CE(sat)}$	$I_C = 500\text{mA}, I_B = 50\text{mA}$	-	0.17	-	V
Noise Figure	NF	$V_{CB} = 5\text{V}, I_E = 5\text{mA}, f = 1\text{kHz}$	-	-	25	dB



## X-ON Electronics

Largest Supplier of Electrical and Electronic Components

*Click to view similar products for [Bipolar Transistors - BJT category](#):*

*Click to view products by [NTE manufacturer](#):*

Other Similar products are found below :

[BC559C](#) [MCH4017-TL-H](#) [MMBT-2369-TR](#) [BC546/116](#) [NJVMJD148T4G](#) [NTE16](#) [NTE195A](#) [IMX9T110](#) [2N4401-A](#) [2N6728](#) [2SA1419T-TD-H](#) [2SB1204S-TL-E](#) [2SC5488A-TL-H](#) [FMC5AT148](#) [2N2369ADCSM](#) [2N2907A](#) [2N3904-NS](#) [2N5769](#) [2SC4618TLN](#) [CPH6501-TL-E](#) [BC856BW-13-F](#) [US6T6TR](#) [BAX18/A52R](#) [BC556/112](#) [IMZ2AT108](#) [MMST8098T146](#) [MCH6102-TL-E](#) [BC846B-13-F](#) [2N3879](#) [30A02MH-TL-E](#) [NTE13](#) [NTE282](#) [NTE323](#) [NTE350](#) [NTE81](#) [JANTX2N2920L](#) [JANSR2N2907AUB](#) [CMLT3946EG TR](#) [SNSS40600CF8T1G](#) [CMLT3906EG TR](#) [GRP-DATA-JANS2N2907AUB](#) [GRP-DATA-JANS2N2222AUA](#) [MMDT3946FL3-7](#) [2N4240](#) [JANS2N3019](#) [MSB30KH-13](#) [2N2221AUB](#) [2SD1815T-TL-E](#) [2N6678](#) [2N2907Ae4](#)