



ELECTRONICS, INC.
 44 FARRAND STREET
 BLOOMFIELD, NJ 07003
 (973) 748-5089
<http://www.nteinc.com>

NTE132

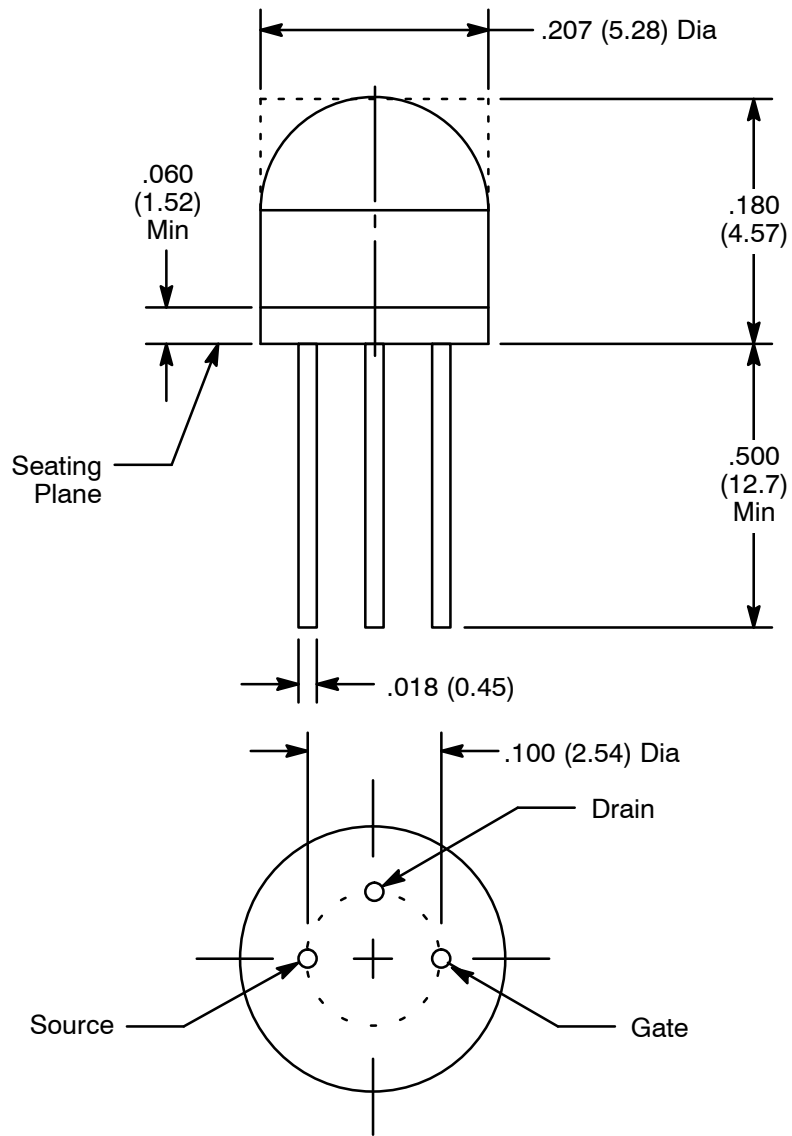
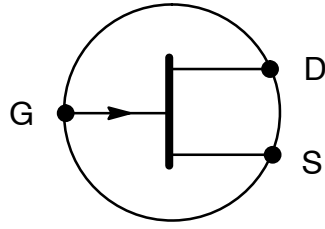
Silicon N-Channel JFET Transistor VHF Amplifier, Mixer TO106 Type Package

Absolute Maximum Ratings: ($T_A = +25^\circ\text{C}$ unless otherwise specified)

Drain-Gate Voltage, V_{DG}	25V
Gate-Source Voltage, V_{GS}	-25V
Gate Current, I_G	10mA
Total Device Dissipation ($T_A = 25^\circ\text{C}$), P_D	200mW
Derate Above 25°C	2mW/ $^\circ\text{C}$
Operating Junction Temperature Range, T_J	-55° to $+150^\circ\text{C}$
Storage Temperature Range, T_{stg}	-55° to $+150^\circ\text{C}$
Lead Temperature (During Soldering, 1/16" from case for 10sec), T_L	$+260^\circ\text{C}$

Electrical Characteristics: ($T_A = +25^\circ\text{C}$ unless otherwise specified)

Parameter	Symbol	Test Conditions	Min	Typ	Max	Unit
Gate-Source Breakdown Voltage	$V_{(BR)GSS}$	$I_G = 1^\circ\text{A}$, $V_{DS} = 0$	-25	-	-	V
Gate Reverse Current	I_{GSS}	$V_{GS} = 15\text{V}$, $V_{DS} = 0$	-	-	-2	nA
		$V_{GS} = 15\text{V}$, $V_{DS} = 0$, $T_A = +100^\circ\text{C}$	-	-	-2	nA
Gate-Source Cutoff Voltage	$V_{GS(off)}$	$I_D = 2\text{nA}$, $V_{DS} = 15\text{V}$	-	-	-8	V
Gate-Source Voltage	V_{GS}	$I_D = 50^\circ\text{A}$, $V_{DS} = 15\text{V}$	-0.5	-	-7.5	V
Zero-Gate-Voltage Drain Current	I_{DSS}	$V_{DS} = 15\text{V}$, $V_{GS} = 0$	2	-	20	mA
Forward Transconductance	g_{fs}	$V_{DS} = 15\text{V}$, $V_{GS} = 0$, $f = 1\text{kHz}$	2500	-	7000	$^\circ\text{mho}$
Forward Transfer Admittance	$ y_{fs} $	$V_{DS} = 15\text{V}$, $V_{GS} = 0$, $f = 100\text{MHz}$	2000	-	-	$^\circ\text{mho}$
Output Admittance	$ y_{os} $	$V_{DS} = 15\text{V}$, $V_{GS} = 0$, $f = 1\text{kHz}$	-	-	50	$^\circ\text{mho}$



X-ON Electronics

Largest Supplier of Electrical and Electronic Components

Click to view similar products for [MOSFET](#) category:

Click to view products by [NTE](#) manufacturer:

Other Similar products are found below :

[614233C](#) [648584F](#) [MCH3443-TL-E](#) [MCH6422-TL-E](#) [FDPF9N50NZ](#) [FW216A-TL-2W](#) [FW231A-TL-E](#) [APT5010JVR](#) [NTNS3A92PZT5G](#)
[IRF100S201](#) [JANTX2N5237](#) [2SK2464-TL-E](#) [2SK3818-DL-E](#) [FCA20N60_F109](#) [FDZ595PZ](#) [STD6600NT4G](#) [FSS804-TL-E](#) [2SJ277-DL-E](#)
[2SK1691-DL-E](#) [2SK2545\(Q,T\)](#) [D2294UK](#) [405094E](#) [423220D](#) [MCH6646-TL-E](#) [TPCC8103,L1Q\(CM](#) [367-8430-0972-503](#) [VN1206L](#)
[424134F](#) [026935X](#) [051075F](#) [SBVS138LT1G](#) [614234A](#) [715780A](#) [NTNS3166NZT5G](#) [751625C](#) [873612G](#) [IRF7380TRHR](#)
[IPS70R2K0CEAKMA1](#) [RJK60S3DPP-E0#T2](#) [RJK60S5DPK-M0#T0](#) [APT5010JVFR](#) [APT12031JFLL](#) [APT12040JVR](#) [DMN3404LQ-7](#)
[NTE6400](#) [JANTX2N6796U](#) [JANTX2N6784U](#) [JANTXV2N5416U4](#) [SQM110N05-06L-GE3](#) [SIHF35N60E-GE3](#)