



**ELECTRONICS, INC.**  
 44 FARRAND STREET  
 BLOOMFIELD, NJ 07003  
 (973) 748-5089

## NTE15 Silicon NPN Transistor VHF Amp, Mixer, Oscillator, UHF OSC

**Features:**

- High Transition Frequency:  $f_T = 1.1\text{GHz}$
- Low Base Resistance and High Gain
- Excellent Noise Characteristics

**Applications:**

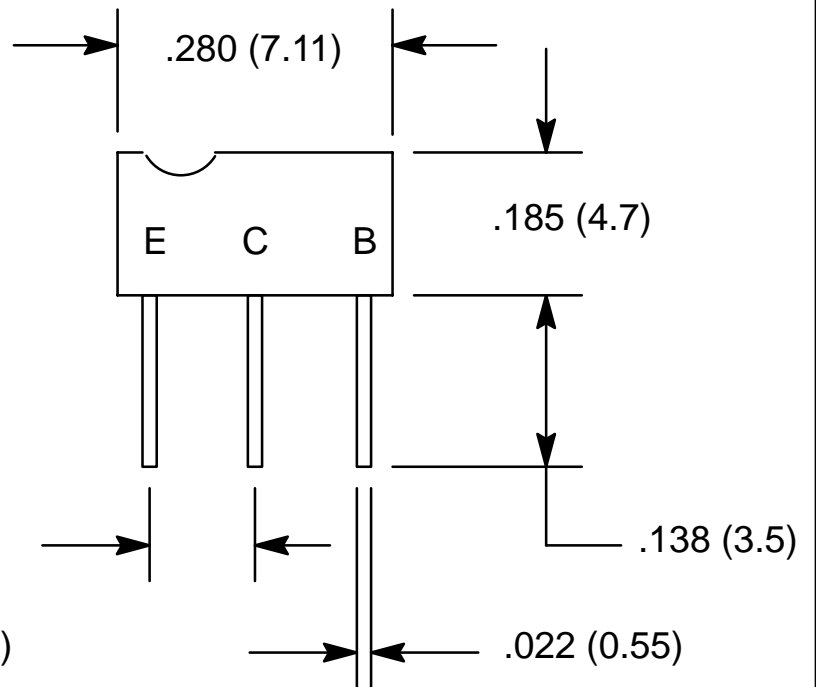
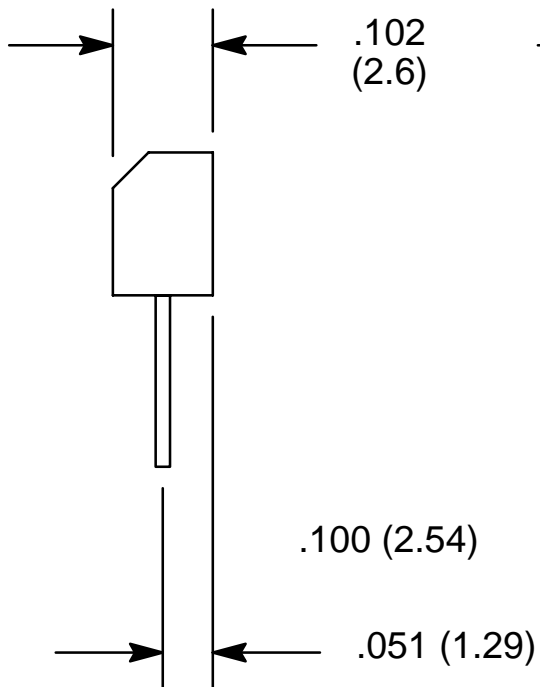
- VHF Mixers and Oscillators
- UHF Oscillators

**Absolute Maximum Ratings:** ( $T_A = +25^\circ\text{C}$  unless otherwise specified)

Collector–Base Voltage, $V_{CBO}$ .....	30V
Collector–Emitter Voltage, $V_{CEO}$ .....	19V
Emitter–Base Voltage, $V_{EBO}$ .....	4V
Collector Current, $I_C$ .....	50mA
Collector Dissipation, $P_C$ .....	300mW
Junction Temperature, $T_J$ .....	+125°C
Storage Temperature Range, $T_{stg}$ .....	–55° to +125°C

**Electrical Characteristics:** ( $T_A = +25^\circ\text{C}$  unless otherwise specified)

Parameter	Symbol	Test Conditions	Min	Typ	Max	Unit
Collector–Emitter Breakdown Voltage	$V_{(BR)CEO}$	$I_C = 1\text{mA}$	19	–	–	V
Collector–Base Breakdown Voltage	$V_{(BR)CBO}$	$I_C = 50\mu\text{A}$	30	–	–	V
Emitter–Base Breakdown Voltage	$V_{(BR)EBO}$	$I_E = 50\mu\text{A}$	5	–	–	V
Collector Cutoff Current	$I_{CBO}$	$V_{CB} = 20\text{V}$	–	–	0.5	$\mu\text{A}$
Emitter Cutoff Current	$I_{EBO}$	$V_{EB} = 3\text{V}$	–	–	0.5	$\mu\text{A}$
DC Current Gain	$h_{FE}$	$V_{CE} = 10\text{V}, I_C = 5\text{mA}$	39	–	–	–
Collector Saturation Voltage	$V_{CE(sat)}$	$I_C = 10\text{mA}, I_B = 1\text{mA}$	–	0.1	–	V
Transition Frequency	$f_T$	$V_{CE} = 5\text{V}, I_E = 10\text{mA}$	–	600	1100	MHz
Output Capacitance	$C_{ob}$	$V_{CB} = 10\text{V}, f = 1\text{MHz}$	–	1.2	1.5	pF
Collector–Base Time Constant	$C_{dcb}$	$I_C = 10\text{mA}, V_{CB} = 5\text{V}, f = 31.8\text{MHz}$	–	10	15	pS



## X-ON Electronics

Largest Supplier of Electrical and Electronic Components

*Click to view similar products for [Bipolar Transistors - BJT category](#):*

*Click to view products by [NTE manufacturer](#):*

Other Similar products are found below :

[619691C](#) [MCH4017-TL-H](#) [MJ15024/WS](#) [MJ15025/WS](#) [BC546/116](#) [BC556/FSC](#) [BC557/116](#) [BSW67A](#) [HN7G01FU-A\(T5L,F,T](#)  
[NJVMJD148T4G](#) [NSVMMBT6520LT1G](#) [NTE187A](#) [NTE195A](#) [NTE2302](#) [NTE2330](#) [NTE2353](#) [NTE316](#) [IMX9T110](#) [NTE63](#) [NTE65](#)  
[C4460](#) [SBC846BLT3G](#) [2SA1419T-TD-H](#) [2SA1721-O\(TE85L,F\)](#) [2SA1727TLP](#) [2SA2126-E](#) [2SB1202T-TL-E](#) [2SB1204S-TL-E](#) [2SC5488A-](#)  
[TL-H](#) [2SD2150T100R](#) [SP000011176](#) [FMC5AT148](#) [2N2369ADCSM](#) [2SB1202S-TL-E](#) [2SC2412KT146S](#) [2SC4618TLN](#) [2SC5490A-TL-H](#)  
[2SD1816S-TL-E](#) [2SD1816T-TL-E](#) [CMXT2207 TR](#) [CPH6501-TL-E](#) [MCH4021-TL-E](#) [BC557B](#) [TTC012\(Q\)](#) [BULD128DT4](#) [JANTX2N3810](#)  
[Jantx2N5416](#) [US6T6TR](#) [KSF350](#) [068071B](#)