



ELECTRONICS, INC.
 44 FARRAND STREET
 BLOOMFIELD, NJ 07003
 (973) 748-5089
<http://www.nteinc.com>

NTE1848 Integrated Circuit Stepping Motor Driver

Absolute Maximum Ratings: ($T_A = +25^\circ\text{C}$ unless otherwise specified)

Supply Voltage, V_{CC}	40V
Output Current, I_O	1.7A
Junction Temperature, T_J	+125°C
Operating Temperature Range, T_{opr}	-20° to +80°C
Storage Temperature Range, T_{stg}	-30° to +100°C

Electrical Characteristics: ($T_A = +25^\circ\text{C}$ unless otherwise specified)

Parameter	Symbol	Test Conditions	Min	Typ	Max	Unit
Supply Voltage	V_{CC}		20	24	30	V
Output Current	I_O		0.2	-	1.5	A
Excitation Signal Input Current	I_{IN}		-	-	5.0	mA

Signal Input of Phase Change:

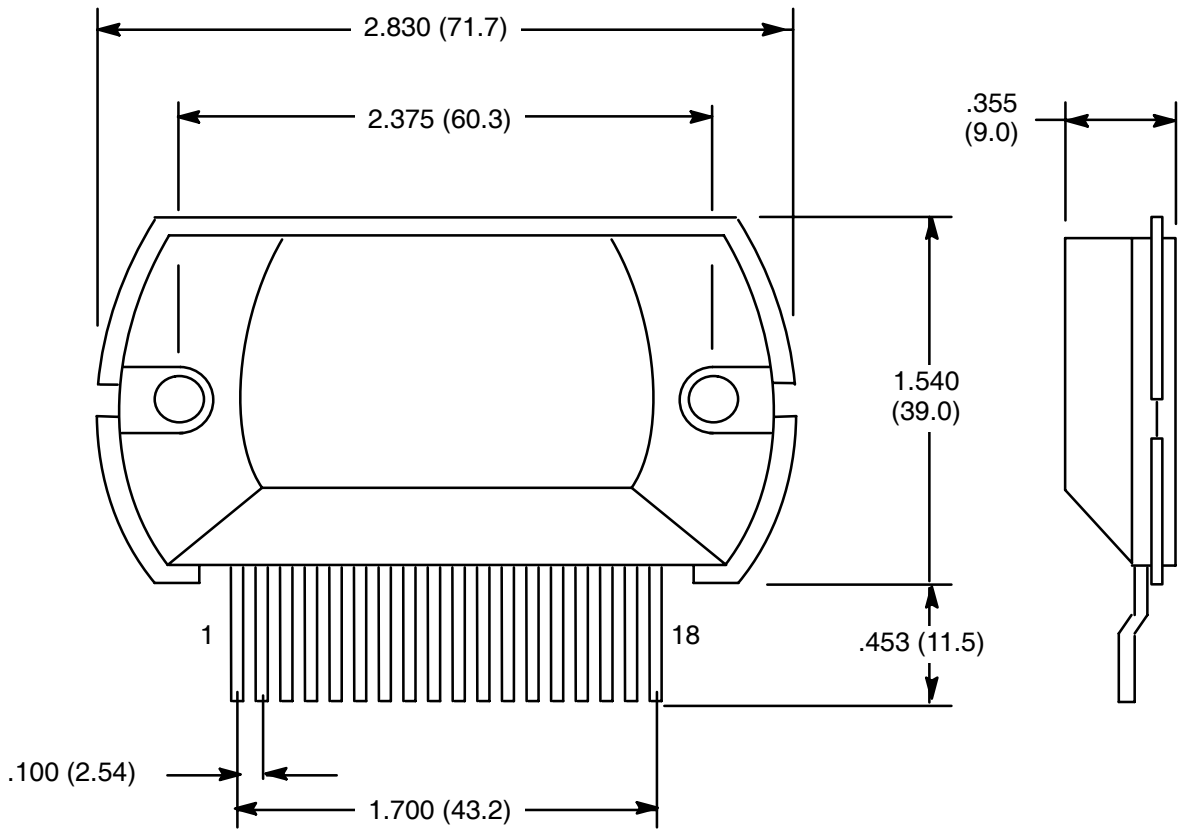
ON			OFF
Output Current (A/ ϕ)	Minimum Input Voltage (Volts)	Minimum Input Current (mA)	Maximum Input Voltage (V)
0.2	2.7	1.0	0.8
0.5	3.1	1.2	
1.0	3.6	1.4	
1.5	4.5	2.0	

Output Current:

Output Current, I_O (A/ ϕ)	R_X (Ω)
0.31 to 0.39	200
0.95 to 1.05	1.4k

Pin Connection Diagram
(Front View)

18	V _{CC}
17	Output B \bar{B}
16	Output \bar{B}
15	Active High Input \bar{B}
14	Output B
13	Excitment Input B
12	GND
11	GND
10	Active High Input \bar{A}
9	Output \bar{A}
8	Excitment Input A
7	Output A
6	Output A \bar{A}
5	I _{CC}
4	I _{CC}
3	GND
2	I _{CC}
1	Filter



X-ON Electronics

Largest Supplier of Electrical and Electronic Components

Click to view similar products for [Motor/Motion/Ignition Controllers & Drivers](#) category:

Click to view products by [NTE manufacturer](#):

Other Similar products are found below :

[LV8133JA-ZH](#) [LV8169MUTBG](#) [LV8774Q-AH](#) [LV8860PV-TLM-H](#) [MC33931EKR2](#) [MC34GD3000EP](#) [FSB50250UTD](#) [FSB50550TB2](#)
[FSBF15CH60BTH](#) [MP6507GR-P](#) [MP6508GF](#) [MSVCPM2-63-12](#) [MSVGW45-14-2](#) [MSVGW54-14-5](#) [NTE7043](#) [CAT3211MUTAG](#)
[LA6245P-CL-TLM-E](#) [LA6245P-TLM-E](#) [LA6565VR-TLM-E](#) [LB11650-E](#) [LB1694N-E](#) [LB1837M-TLM-E](#) [LB1845DAZ-XE](#) [LC898111AXB-](#)
[MH](#) [LC898300XA-MH](#) [SS30-TE-L-E](#) [STK531-345A-E](#) [STK581U3A0D-E](#) [STK58AUNP0D-E](#) [STK621-068C-E](#) [STK621-140C](#) [STK621-](#)
[728S-E](#) [STK625-728-E](#) [STK672-400B-E](#) [STK672-432AN-E](#) [STK672-432BN-E](#) [STK672-440AN-E](#) [STK672-442AN-E](#) [AMIS30621AUA](#)
[FSB50550ASE](#) [26700](#) [LV8161MUTAG](#) [LV8281VR-TLM-H](#) [LV8702V-TLM-H](#) [LV8734VZ-TLM-H](#) [LV8773Z-E](#) [LV8807QA-MH](#)
[MC33932EK](#) [MCP8024T-H/MP](#) [TND027MP-AZ](#)