

NTE184 (NPN) & NTE185 (PNP) Silicon Complementary Transistors Audio Power Amp, Switch

Description:

The NTE184 (NPN) and NTE185 (PNP) are silicon complementary transistors in a TO126 plastic package designed for use in power amplifier and switching circuits.

Features:

- Excellent Safe Area Limits

Absolute Maximum Ratings:

Collector–Emitter Voltage, V_{CEO}	80V
Collector–Base Voltage, V_{CB}	80V
Emitter–Base Voltage, V_{EB}	5V
Collector Current, I_C	4A
Base Current, I_B	1A
Total Power Dissipation ($T_C = +25^\circ\text{C}$), P_D	40W
Derate Above 25°C	320mW/ $^\circ\text{C}$
Operating Junction Temperature Range, T_J	-65° to $+150^\circ\text{C}$
Storage Temperature Range, T_{stg}	-65° to $+150^\circ\text{C}$
Thermal Resistance, Junction–to–Case, R_{thJC}	3.12 $^\circ\text{C}/\text{W}$

Electrical Characteristics: ($T_C = +25^\circ\text{C}$ unless otherwise specified)

Parameter	Symbol	Test Conditions	Min	Typ	Max	Unit
OFF Characteristics						
Collector–Emitter Sustaining Voltage	$V_{CEO(sus)}$	$I_C = 0.1\text{A}$, $I_B = 0$, Note 1	80	–	–	V
Collector Cutoff Current	I_{CEO}	$V_{CE} = 80\text{V}$, $I_B = 0$	–	–	1.0	mA
		$V_{CE} = 80\text{V}$, $V_{EB(off)} = 1.5\text{V}$	–	–	0.1	mA
	$V_{CE} = 80\text{V}$, $V_{EB(off)} = 1.5\text{V}$, $T_C = +150^\circ\text{C}$	–	–	2.0	mA	
	I_{CBO}	$V_{CB} = 80\text{V}$, $I_E = 0$	–	–	0.1	mA
Emitter Cutoff Current	I_{EBO}	$V_{BE} = 5\text{V}$, $I_C = 0$	–	–	1.0	mA

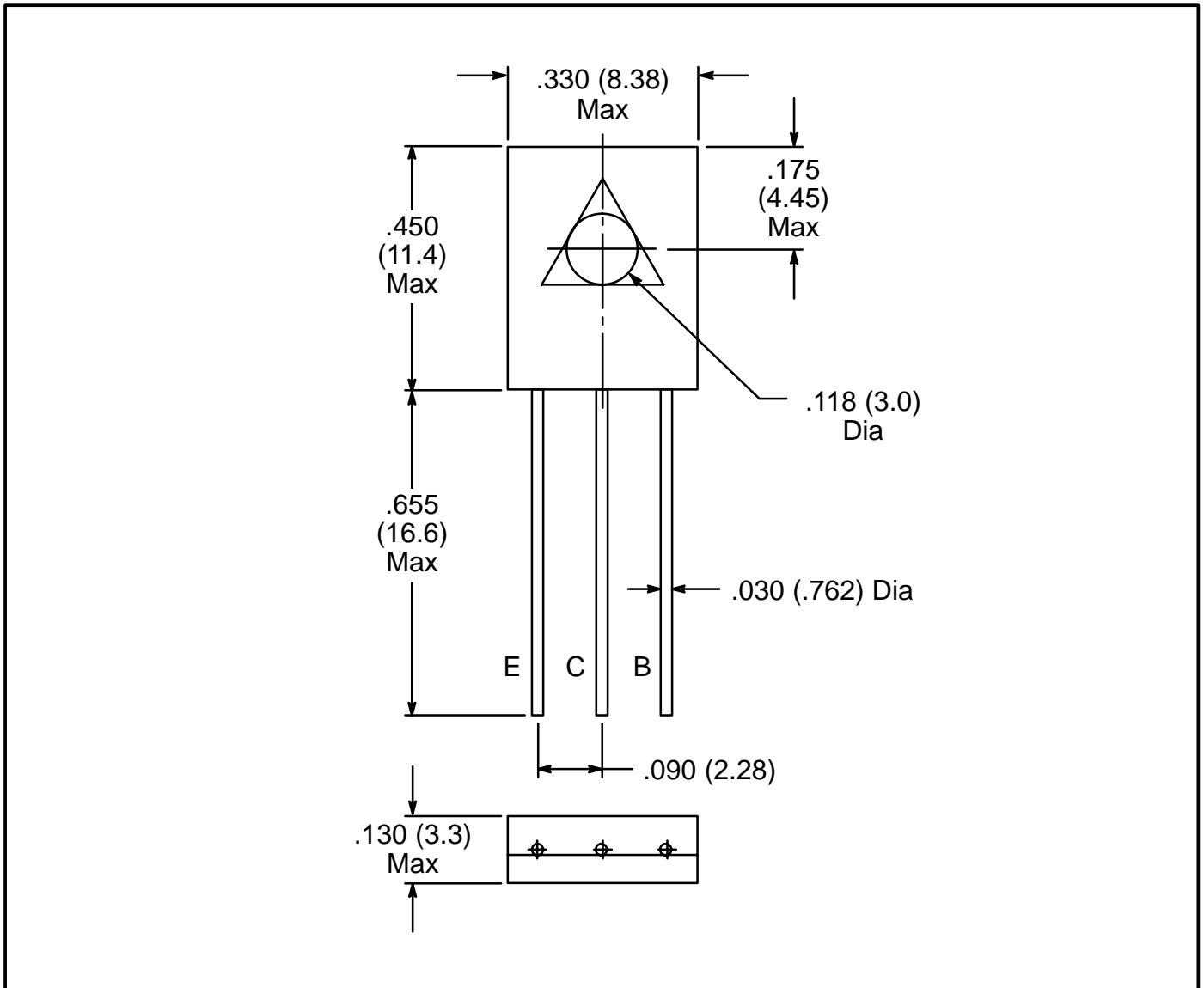
Electrical Characteristics: ($T_C = +25^\circ\text{C}$ unless otherwise specified)

Parameter	Symbol	Test Conditions	Min	Typ	Max	Unit
ON Characteristics (Note 1)						
DC Current Gain	h_{FE}	$I_C = 1.5\text{A}, V_{CE} = 2\text{V}$	20	–	80	
		$I_C = 4\text{A}, V_{CE} = 2\text{V}$	7	–	–	
Collector–Emitter Saturation Voltage	$V_{CE(sat)}$	$I_C = 1.5\text{A}, I_B = 0.15\text{A}$	–	–	0.6	V
		$I_C = 4\text{A}, I_B = 1\text{A}$	–	–	1.4	V
Base–Emitter ON Voltage	$V_{BE(on)}$	$I_C = 1.5\text{A}, V_{CE} = 2\text{V}$	–	–	1.2	V
Dynamic Characteristics						
Current Gain–Bandwidth Product	f_T	$I_C = 1\text{A}, V_{CE} = 10\text{V}, f = 1\text{MHz}$	2.0	–	–	MHz

Note 1. Pulse test: Pulse Width $\leq 300\mu\text{s}$, Duty Cycle $\leq 2\%$.

Note 2. NTE184MP is a matched pair of NTE184 with their DC Current Gain (h_{FE}) matched to within 10% of each other.

Note 3. NTE185MCP is a matched complementary pair containing 1 each of NTE184 (NPN) and NTE185 (PNP).



X-ON Electronics

Largest Supplier of Electrical and Electronic Components

Click to view similar products for [Bipolar Transistors - BJT category](#):

Click to view products by [NTE manufacturer](#):

Other Similar products are found below :

[619691C](#) [MCH4017-TL-H](#) [MJ15024/WS](#) [MJ15025/WS](#) [BC546/116](#) [BC556/FSC](#) [BC557/116](#) [BSW67A](#) [HN7G01FU-A\(T5L,F,T](#)
[NJVMJD148T4G](#) [NSVMMBT6520LT1G](#) [NTE187A](#) [NTE195A](#) [NTE2302](#) [NTE2330](#) [NTE2353](#) [NTE316](#) [IMX9T110](#) [NTE63](#) [NTE65](#)
[C4460](#) [SBC846BLT3G](#) [2SA1419T-TD-H](#) [2SA1721-O\(TE85L,F\)](#) [2SA1727TLP](#) [2SA2126-E](#) [2SB1202T-TL-E](#) [2SB1204S-TL-E](#) [2SC5488A-](#)
[TL-H](#) [2SD2150T100R](#) [SP000011176](#) [FMC5AT148](#) [2N2369ADCSM](#) [2SB1202S-TL-E](#) [2SC2412KT146S](#) [2SC4618TLN](#) [2SC5490A-TL-H](#)
[2SD1816S-TL-E](#) [2SD1816T-TL-E](#) [CMXT2207 TR](#) [CPH6501-TL-E](#) [MCH4021-TL-E](#) [BC557B](#) [TTC012\(Q\)](#) [BULD128DT4](#) [JANTX2N3810](#)
[Jantx2N5416](#) [US6T6TR](#) [KSF350](#) [068071B](#)