



ELECTRONICS, INC.
 44 FARRAND STREET
 BLOOMFIELD, NJ 07003
 (973) 748-5089
<http://www.nteinc.com>

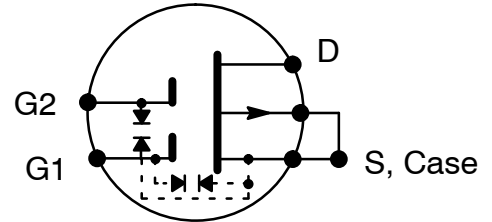
NTE221 MOSFET Dual Gate, N-Channel for VHF TV Receivers Applications TO72 Type Package

Description:

The NTE221 is an N-channel depletion type, dual-insulated gate, field-effect transistor that utilizes MOS construction. This device has characteristics which makes it highly desirable for use in RF-amplifier applications.

Features:

- Extremely Low Feedback Capacitance
- High Power Gain



Absolute Maximum Ratings: ($T_A = +25^\circ\text{C}$ unless otherwise specified)

Drain-to-Source Voltage, V_{DS}	0 to +20V
Gate 1-to-Source Voltage, V_{G1S}	
Continuous (DC)	+1V to -8V
Peak AC	+20V to -8V
Gate 2-to-Source Voltage, V_{G2S}	
Continuous (DC)	-8V to 40% of V_{DS}
Peak AC	-8V to +20V
Drain-to-Gate Voltage, V_{DG1} or V_{DG2}	+20V
Pulsed Drain Current (Note 1), I_D	50mA
Transistor Dissipation ($T_A = +25^\circ\text{C}$), P_T	400mW
Derate Linearly Above 25°C	2.67mW/ $^\circ\text{C}$
Operating Ambient Temperature Range, T_{opr}	-65 $^\circ\text{C}$ to +175 $^\circ\text{C}$
Storage Temperature Range, T_{stg}	-65 $^\circ\text{C}$ to +175 $^\circ\text{C}$
Lead Temperature (During Soldering, 1/32" from seating surface, 10sec max), T_L	+265 $^\circ\text{C}$

Note 1. Pulse test: Pulse Width $\leq 20\text{ms}$, Duty Cycle $\leq 15\%$.

Electrical Characteristics: ($T_A = +25^\circ\text{C}$ unless otherwise specified)

Parameter	Symbol	Test Conditions	Min	Typ	Max	Unit
Gate 1-to-Source Cutoff Voltage	$V_{G1S(off)}$	$V_{DS} = 15\text{V}$, $V_{G2S} = 4\text{V}$, $I_D = 200\text{mA}$	-	-2	-	V
Gate 2-to-Source Cutoff Voltage	$V_{G2S(off)}$	$V_{DS} = 15\text{V}$, $V_{G1S} = 0$, $I_D = 200\text{mA}$	-	-2	-	V
Gate 1 Leakage Current	I_{G1SS}	$V_{G1S} = 20\text{V}$, $V_{G2S} = 0$, $V_{DS} = 0$	-	-	1	nA
Gate 2 Leakage Current	I_{G2SS}	$V_{G2S} = 20\text{V}$, $V_{G1S} = 0$, $V_{DS} = 0$	-	-	1	nA

Electrical Characteristics (Cont'd): ($T_A = +25\mu\text{C}$ unless otherwise specified)

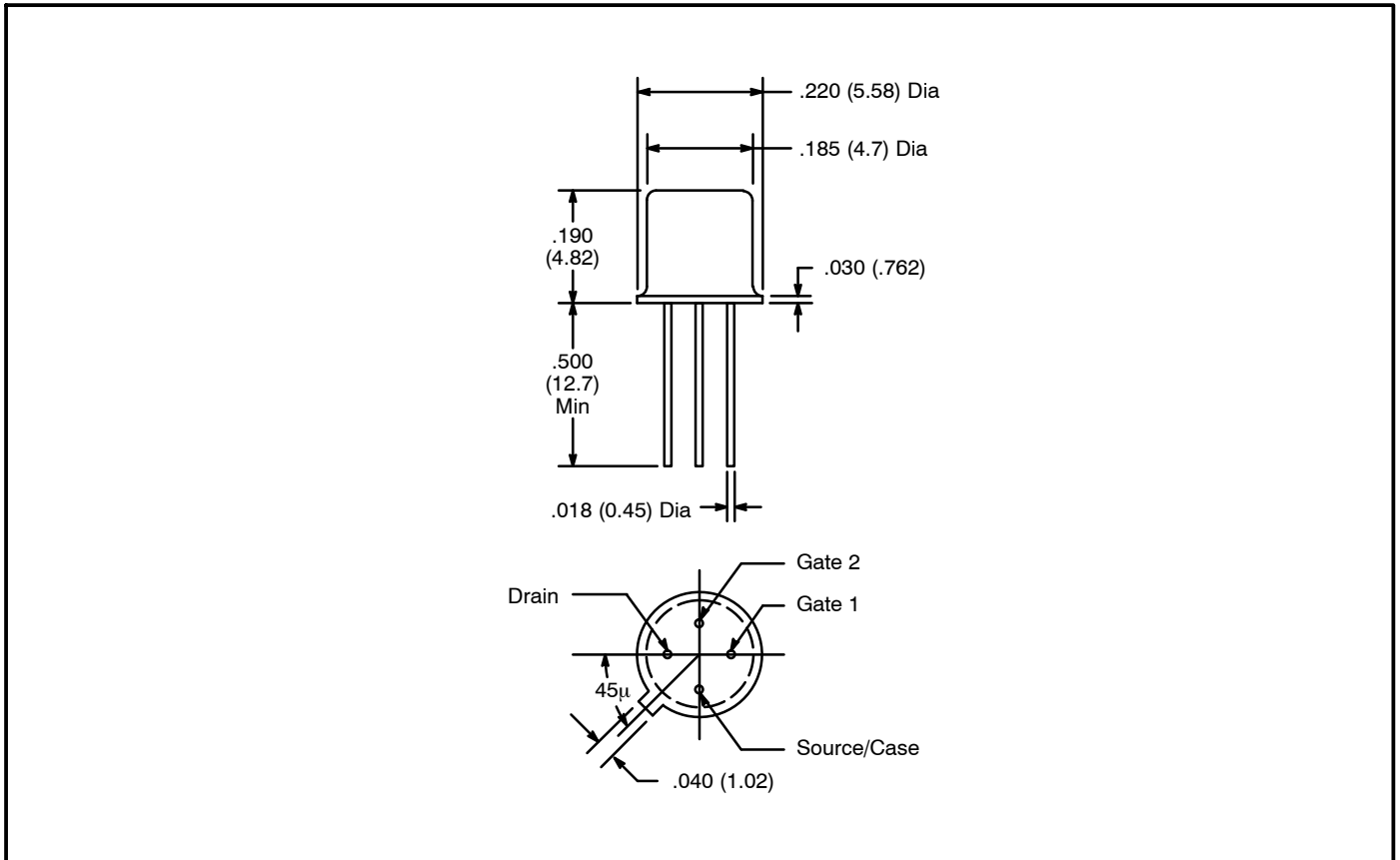
Parameter	Symbol	Test Conditions	Min	Typ	Max	Unit
Drain Current	I_{DSS}	$V_{DS} = 13\text{V}, V_{G1S} = 0, V_{G2S} = 4\text{V}$	-	18	-	mA
Forward Transconductance	g_{fs}	$V_{DS} = 13\text{V}, I_D = 10\text{mA}, V_{G2S} = 4\text{V}, f = 1\text{kHz}$	-	1000	-	μmhos

Performance Characteristics: ($T_A = +25\mu\text{C}, f = 200\text{MHz}$, Note 2 unless otherwise specified)

Parameter	Symbol	Test Conditions	Min	Typ	Max	Unit
Small-Signal, Short Circuit Reverse Transfer Capacitance	C_{rss}	(Drain-to-Gate 1) at $f = 1\text{MHz}$	-	0.02	0.03	pF
Output Capacitance	C_{oss}		-	2.2	-	pF
Input Capacitance	C_{iss}		-	5.5	-	pF
Input Resistance	r_{iss}		-	1.2	-	$\text{k}\Omega$
Output Resistance	r_{oss}		-	2.8	-	$\text{k}\Omega$
Magnitude of Forward Transconductance	$ Y_{fs} $		-	11000	-	μmhos
Phase Angle of Forward Transadmittance			-	-46	-	deg
Maximum Available Power Gain	MAG		-	20	-	dB
Maximum Usable Power Gain (Unneutralized)	MUG_u	Note 3	-	20	-	dB
Power Gain	G_{PS}		-	17.5	-	dB
Noise Figure	NF		-	-	5	dB

Note 2. V_{G1S} is adjusted for $I_D = 10\text{mA}$, Gate 2 at AC ground potential, $V_{DS} = 13\text{V}, V_{G2S} = 4\text{V}$.

Note 3. Limited by practical design considerations.



X-ON Electronics

Largest Supplier of Electrical and Electronic Components

Click to view similar products for [MOSFET](#) category:

Click to view products by [NTE](#) manufacturer:

Other Similar products are found below :

[614233C](#) [648584F](#) [MCH3443-TL-E](#) [MCH6422-TL-E](#) [FDPF9N50NZ](#) [FW216A-TL-2W](#) [FW231A-TL-E](#) [APT5010JVR](#) [NTNS3A92PZT5G](#)
[IRF100S201](#) [JANTX2N5237](#) [2SK2464-TL-E](#) [2SK3818-DL-E](#) [FCA20N60_F109](#) [FDZ595PZ](#) [STD6600NT4G](#) [FSS804-TL-E](#) [2SJ277-DL-E](#)
[2SK1691-DL-E](#) [2SK2545\(Q,T\)](#) [405094E](#) [423220D](#) [MCH6646-TL-E](#) [TPCC8103,L1Q\(CM](#) [367-8430-0972-503](#) [VN1206L](#) [424134F](#)
[026935X](#) [051075F](#) [SBVS138LT1G](#) [614234A](#) [715780A](#) [NTNS3166NZT5G](#) [751625C](#) [873612G](#) [IRF7380TRHR](#) [IPS70R2K0CEAKMA1](#)
[RJK60S3DPP-E0#T2](#) [RJK60S5DPK-M0#T0](#) [APT5010JVFR](#) [APT12031JFLL](#) [APT12040JVR](#) [DMN3404LQ-7](#) [NTE6400](#) [JANTX2N6796U](#)
[JANTX2N6784U](#) [JANTXV2N5416U4](#) [SQM110N05-06L-GE3](#) [SIHF35N60E-GE3](#) [2SK2614\(TE16L1,Q\)](#)