



ELECTRONICS, INC.  
 44 FARRAND STREET  
 BLOOMFIELD, NJ 07003  
 (973) 748-5089  
<http://www.nteinc.com>

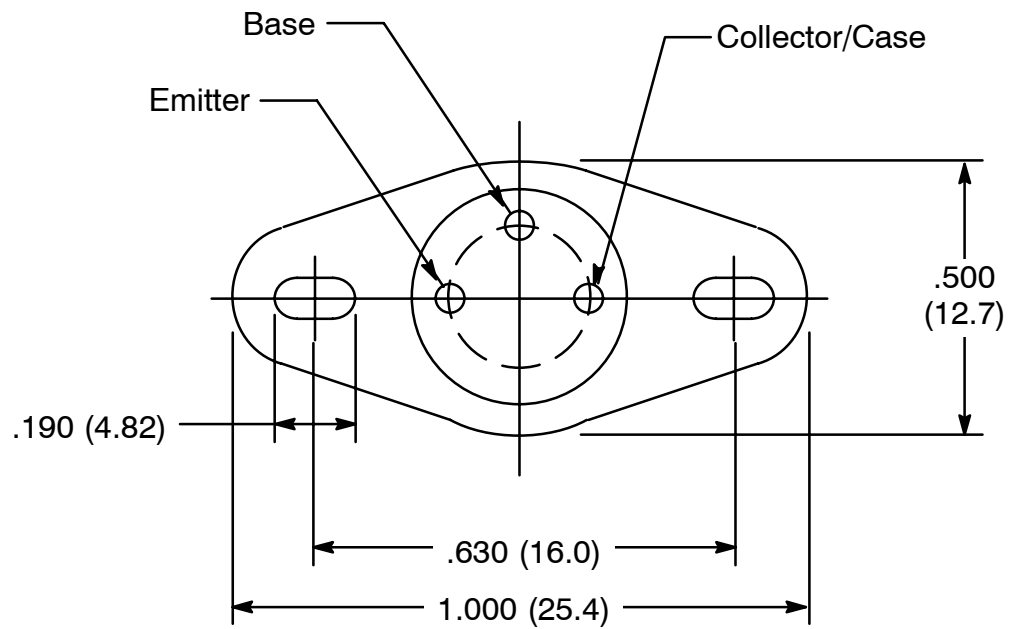
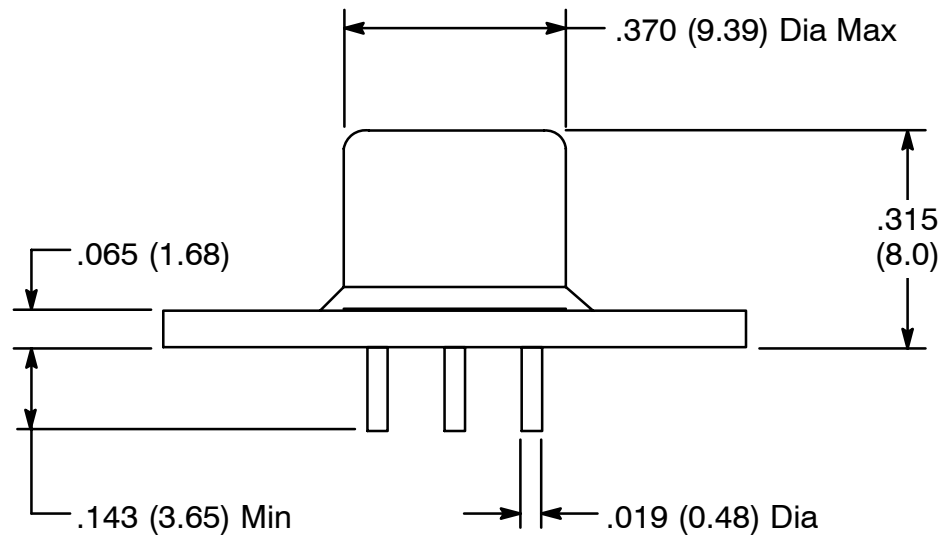
**NTE224**  
**Silicon NPN Transistor**  
**Final RF Power Output for CB**  
 **$P_O = 4W, 50MHz$**

**Absolute Maximum Ratings:** ( $T_A = +25^\circ C$  unless otherwise specified)

Collector-Base Voltage, $V_{CBO}$ .....	60V
Collector-Emitter Voltage ( $R_{BE} = 10\Omega$ ), $V_{CER}$ .....	60V
Emitter-Base Voltage, $V_{EBO}$ .....	4V
Collector Current, $I_C$	
Continuous .....	2A
Peak .....	4A
Emitter Current, $I_E$	
Continuous .....	-2A
Peak .....	-4A
Collector Power Dissipation ( $T_C = +25^\circ C$ ), $P_C$ .....	10W
Junction Temperature, $T_J$ .....	+175°C
Storage Temperature Range, $T_{stg}$ .....	-65° to +175°C

**Electrical Characteristics:** ( $T_A = +25^\circ C$  unless otherwise specified)

Parameter	Symbol	Test Conditions	Min	Typ	Max	Unit
Collector Cutoff Current	$I_{CBO}$	$V_{CB} = 30V, I_E = 0$	-	-	10	$\mu A$
DC Current Gain	$h_{FE}$	$V_{CE} = 5V, I_C = 500mA$	10	30	140	
Collector-Emitter Saturation Voltage	$V_{CE(sat)}$	$I_C = 500mA, I_B = 100mA$	-	-	1.0	V
Base-Emitter Voltage	$V_{BE}$	$V_{CE} = 5V, I_C = 500mA$	-	-	1.2	V
Transition Frequency	$f_T$	$V_{CE} = 10V, I_E = -200mA$	150	300	-	MHz
Collector Output Capacitance	$C_{ob}$	$V_{BE} = 10V, I_E = 0, f = 1MHz$	-	25	50	pF
Output Power	$P_O$	$V_{CC} = 12V, f = 50MHz,$ $P_{in} = 0.4W, \eta = 60\%$	4	5	-	W



## X-ON Electronics

Largest Supplier of Electrical and Electronic Components

*Click to view similar products for [Bipolar Transistors - BJT category](#):*

*Click to view products by [NTE manufacturer](#):*

Other Similar products are found below :

[619691C](#) [MCH4017-TL-H](#) [MJ15024/WS](#) [MJ15025/WS](#) [BC546/116](#) [BC556/FSC](#) [BC557/116](#) [BSW67A](#) [HN7G01FU-A\(T5L,F,T](#)  
[NJVMJD148T4G](#) [NSVMMBT6520LT1G](#) [NTE187A](#) [NTE195A](#) [NTE2302](#) [NTE2330](#) [NTE2353](#) [NTE316](#) [IMX9T110](#) [NTE63](#) [NTE65](#)  
[C4460](#) [SBC846BLT3G](#) [2SA1419T-TD-H](#) [2SA1721-O\(TE85L,F\)](#) [2SA1727TLP](#) [2SA2126-E](#) [2SB1202T-TL-E](#) [2SB1204S-TL-E](#) [2SC5488A-](#)  
[TL-H](#) [2SD2150T100R](#) [SP000011176](#) [FMC5AT148](#) [2N2369ADCSM](#) [2SB1202S-TL-E](#) [2SC2412KT146S](#) [2SC4618TLN](#) [2SC5490A-TL-H](#)  
[2SD1816S-TL-E](#) [2SD1816T-TL-E](#) [CMXT2207 TR](#) [CPH6501-TL-E](#) [MCH4021-TL-E](#) [BC557B](#) [TTC012\(Q\)](#) [BULD128DT4](#) [JANTX2N3810](#)  
[Jantx2N5416](#) [US6T6TR](#) [KSF350](#) [068071B](#)