



ELECTRONICS, INC.
 44 FARRAND STREET
 BLOOMFIELD, NJ 07003
 (973) 748-5089

NTE226 Germanium PNP Transistor Audio Power Amp

Description:

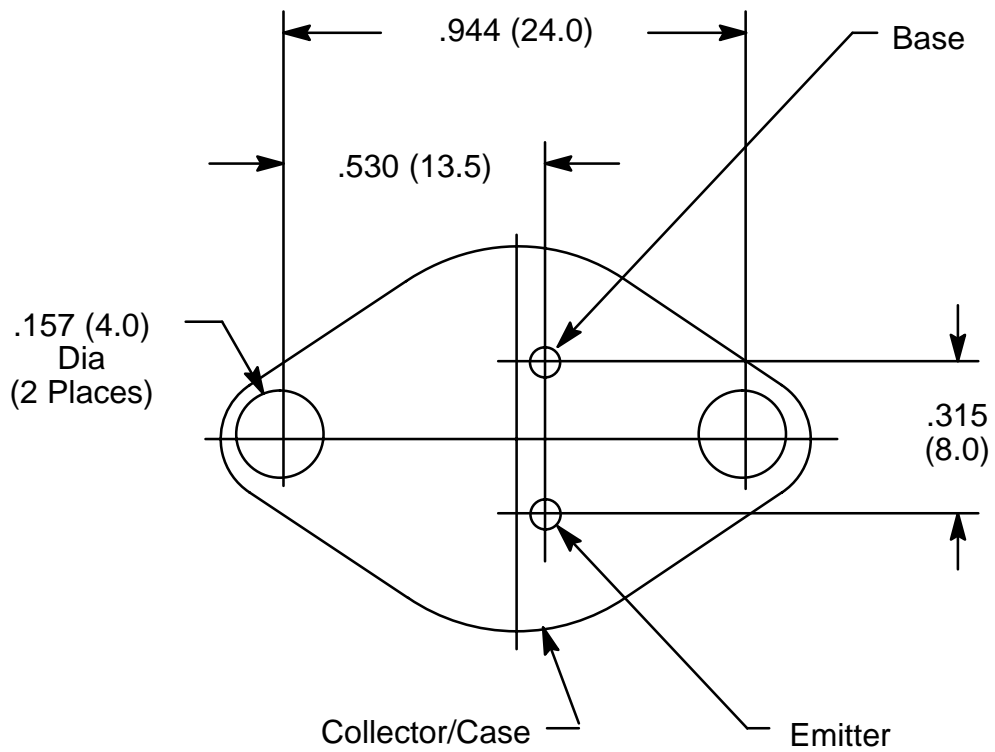
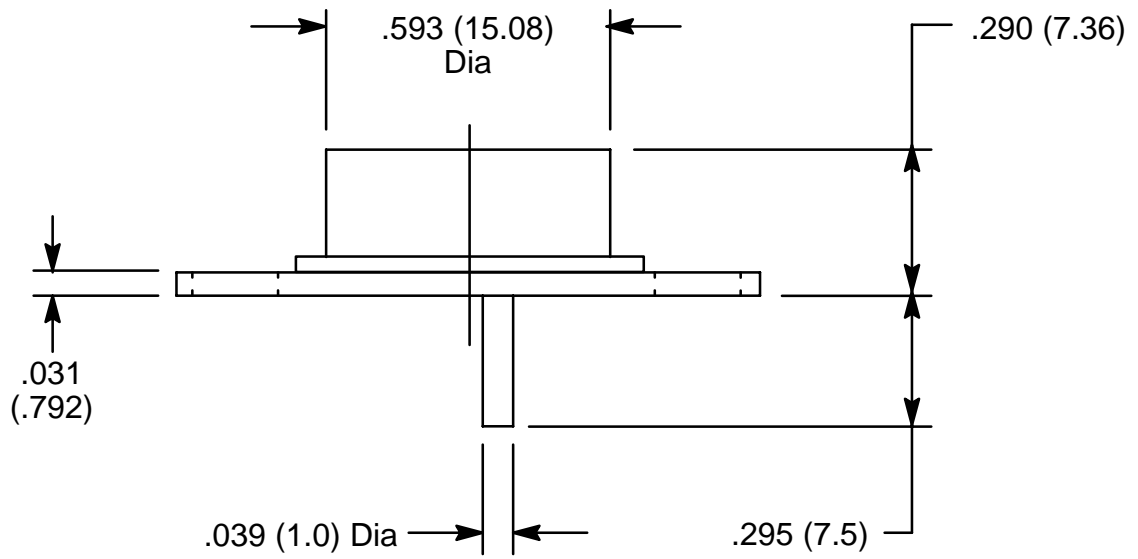
The NTE226 is a Germanium PNP transistor in a TO66 type package designed for high-fidelity, high-power output applications.

Absolute Maximum Ratings:

Collector-Base Voltage, V_{CBO} 35V
 Collector-Emitter Voltage ($R_{BE} = 100\Omega$), V_{CER} 35V
 Emitter-Base Voltage, V_{EBO} 6V
 Collector Current, I_C 2A
 Power Dissipation ($T_C = +25^\circ\text{C}$), P_C 12W
 Operating Junction Temperature, T_J $+85^\circ\text{C}$
 Storage Temperature Range, T_{stg} -55° to $+85^\circ\text{C}$

Electrical Characteristics: ($T_A = +25^\circ\text{C}$ unless otherwise specified)

Parameter	Symbol	Test Conditions	Min	Typ	Max	Unit
Collector Cutoff Current	I_{CBO}	$V_{CB} = 25\text{V}, I_E = 0$	-	-	200	μA
Emitter Cutoff Current	I_{EBO}	$V_{EB} = 6\text{V}, I_C = 0$	-	-	200	μA
DC Current Gain	h_{FE}	$V_{CE} = 1.5\text{V}, I_C = 200\text{mA}$	50	100	275	
Small-Signal Current Gain Resistance	f_{ob}	$V_{CE} = 1.5\text{V}, I_C = 200\text{mA}$	-	0.7	-	MHz
Base Spreading Resistance	r_{bb}	$V_{CE} = 1.5\text{V}, I_C = 200\text{mA}, f = 6\text{MHz}$	-	15	-	Ω



X-ON Electronics

Largest Supplier of Electrical and Electronic Components

Click to view similar products for [Bipolar Transistors - BJT category](#):

Click to view products by [NTE manufacturer](#):

Other Similar products are found below :

[619691C](#) [MCH4017-TL-H](#) [BC546/116](#) [BC557/116](#) [BSW67A](#) [NTE158](#) [NTE187A](#) [NTE195A](#) [NTE2302](#) [NTE2330](#) [NTE63](#) [C4460](#)
[2SA1419T-TD-H](#) [2SA1721-O\(TE85L,F\)](#) [2SA2126-E](#) [2SB1204S-TL-E](#) [2SC5488A-TL-H](#) [2SD2150T100R](#) [SP000011176](#) [2N2369ADCSM](#)
[2N5769](#) [2SC2412KT146S](#) [2SC5490A-TL-H](#) [2SD1816S-TL-E](#) [2SD1816T-TL-E](#) [CMXT2207 TR](#) [CPH6501-TL-E](#) [MCH4021-TL-E](#)
[US6T6TR](#) [NJL0281DG](#) [732314D](#) [CMXT3906 TR](#) [CPH3121-TL-E](#) [CPH6021-TL-H](#) [873787E](#) [IMZ2AT108](#) [UMX21NTR](#) [MCH6102-TL-E](#)
[NJL0302DG](#) [TTA1452B,S4X\(S](#) [2N3583](#) [NTE103](#) [30A02MH-TL-E](#) [NSV40301MZ4T1G](#) [NTE101](#) [NTE13](#) [NTE15](#) [NTE16001](#) [NTE16006](#)
[NTE26](#)