



ELECTRONICS, INC.
 44 FARRAND STREET
 BLOOMFIELD, NJ 07003
 (973) 748-5089

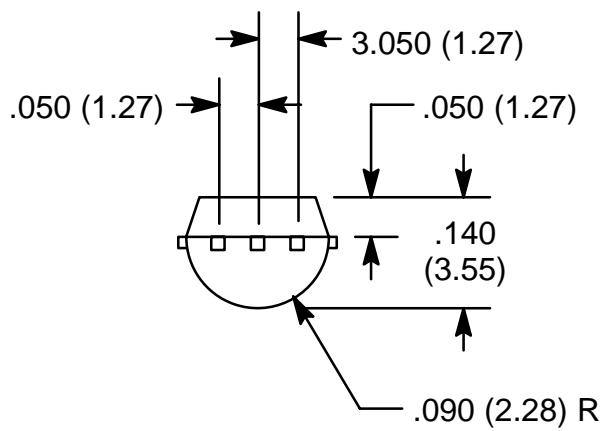
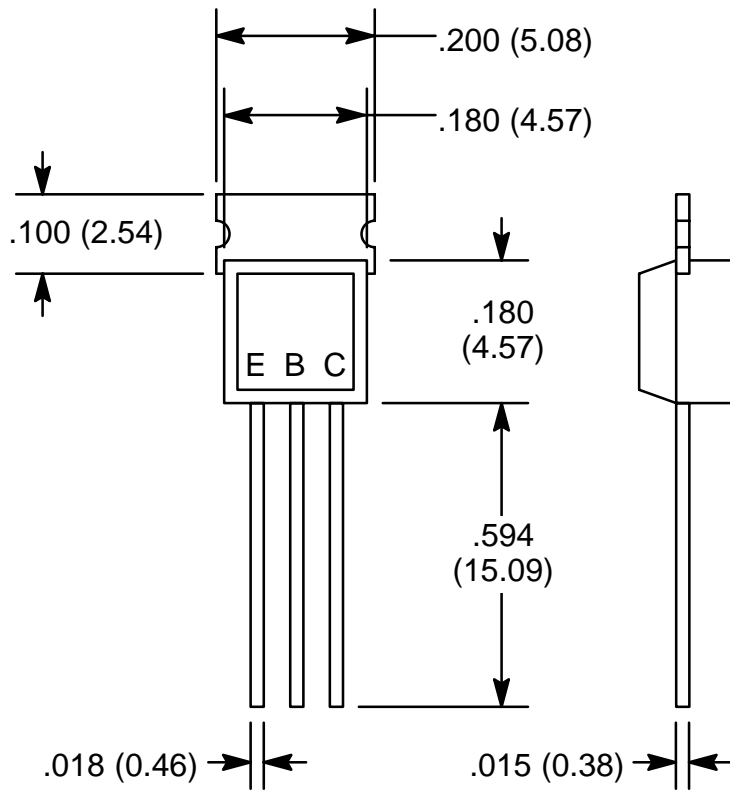
NTE227 Silicon NPN Transistor High Voltage Amp, Video Output

Absolute Maximum Ratings:

Collector–Base Voltage, V_{CBO}	300V
Collector–Emitter Voltage, V_{CEO}	300V
Emitter–Base Voltage, V_{EBO}	6V
Collector Current, I_C	100mA
Power Dissipation ($T_A = +25^\circ\text{C}$), P_{Dmax}	850mW
Power Dissipation ($T_{COLLECTOR LEAD} = +25^\circ\text{C}$), P_{Dmax}	2W
Maximum Operating Junction Temperature, T_{jmax}	+150°C
Thermal Resistance, Junction–to–Case ($T_{COLLECTOR LEAD} = +25^\circ\text{C}$), R_{thJC}	62.5°C/W
Thermal Resistance, Junction–to–Ambient ($T_A = +25^\circ\text{C}$), R_{thJA}	147°C/W

Electrical Characteristics: ($T_A = +25^\circ\text{C}$ unless otherwise specified)

Parameter	Symbol	Test Conditions	Min	Typ	Max	Unit
Collector Cutoff Current	I_{CBO}	$V_{CB} = 260V$	–	–	100	nA
Emitter Cutoff Current	I_{EBO}	$V_{EB} = 6V$	–	–	100	nA
DC Current Gain	h_{FE}	$I_C = 1mA, V_{CE} = 10V$	25	–	–	
		$I_C = 10mA, V_{CE} = 10V$	40	90	200	
Collector–Emitter Breakdown Voltage	$V_{(BR)CEO}$	$I_C = 1mA$	300	–	–	V
Collector–Base Breakdown Voltage	$V_{(BR)CBO}$	$I_C = 100\mu A$	300	–	–	V
Emitter–Base Breakdown Voltage	$V_{(BR)EBO}$	$I_E = 10\mu A$	6	–	–	V
Collector–Emitter Saturation Voltage	$V_{CE(sat)}$	$I_C = 20mA, I_B = 2mA$	–	0.25	1.0	V
Base–Emitter Saturation Voltage	$V_{BE(sat)}$	$I_C = 20mA, I_B = 2mA$	–	0.74	1.0	V
Transition Frequency	f_T	$I_C = 10mA$	50	–	200	MHz
Base–Emitter Saturation Voltage	$V_{BE(sat)}$	$I_C = 10mA$	–	–	0.76	V
Capacitance	C_{ib}		–	–	70	pF



X-ON Electronics

Largest Supplier of Electrical and Electronic Components

Click to view similar products for [Bipolar Transistors - BJT category](#):

Click to view products by [NTE manufacturer](#):

Other Similar products are found below :

[619691C](#) [MCH4017-TL-H](#) [MJ15024/WS](#) [MJ15025/WS](#) [BC546/116](#) [BC556/FSC](#) [BC557/116](#) [BSW67A](#) [HN7G01FU-A\(T5L,F,T](#)
[NJVMJD148T4G](#) [NSVMMBT6520LT1G](#) [NTE187A](#) [NTE195A](#) [NTE2302](#) [NTE2330](#) [NTE2353](#) [NTE316](#) [IMX9T110](#) [NTE63](#) [NTE65](#)
[C4460](#) [SBC846BLT3G](#) [2SA1419T-TD-H](#) [2SA1721-O\(TE85L,F\)](#) [2SA1727TLP](#) [2SA2126-E](#) [2SB1202T-TL-E](#) [2SB1204S-TL-E](#) [2SC5488A-](#)
[TL-H](#) [2SD2150T100R](#) [SP000011176](#) [FMC5AT148](#) [2N2369ADCSM](#) [2SB1202S-TL-E](#) [2SC2412KT146S](#) [2SC4618TLN](#) [2SC5490A-TL-H](#)
[2SD1816S-TL-E](#) [2SD1816T-TL-E](#) [CMXT2207 TR](#) [CPH6501-TL-E](#) [MCH4021-TL-E](#) [BC557B](#) [TTC012\(Q\)](#) [BULD128DT4](#) [JANTX2N3810](#)
[Jantx2N5416](#) [US6T6TR](#) [KSF350](#) [068071B](#)