

NTE2327 Silicon NPN Transistor High Voltage, High Speed Switch

Description:

The NTE2327 is a silicon NPN transistor in a TO126 type package designed for use in converters, inverters, switching regulators, motor control systems and switching applications.

Absolute Maximum Ratings:

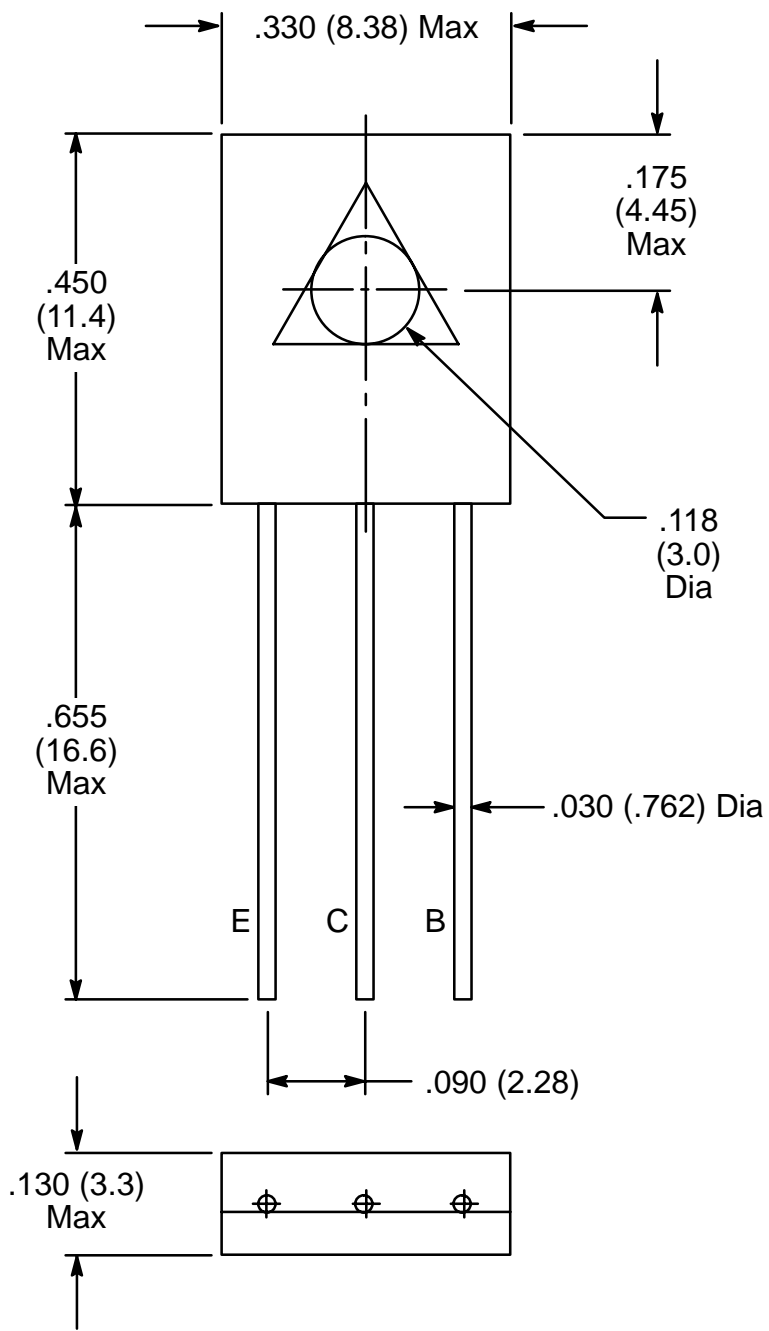
Collector–Emitter Voltage ($V_{BE} = 0$, Peak value), V_{CESM}	1000V
Collector–Emitter Voltage (Open base), V_{CEO}	450V
Emitter–Base Voltage (Open Collector), V_{EBO}	5V
Collector Current, I_C	
Continuous	0.5A
Peak ($t_p = 2ms$)	1A
Base Current, I_B	
Continuous	0.2A
Peak	0.3A
Reverse Base Current (Peak Value, Note 1), $-I_{BM}$	0.3A
Total Power Dissipation ($T_{MB} \leq +60^\circ C$), P_{tot}	20W
Operating Junction Temperature, T_J	+150°C
Storage Temperature Range, T_{stg}	-65° to +150°C
Thermal Resistance, Junction–to–Mounting Base, R_{thJMB}	4.5K/W
Thermal Resistance, Junction–to–Ambient, R_{thJA}	100K/W

Note 1. Turn–Off current.

Electrical Characteristics: ($T_J = +25^\circ C$ unless otherwise specified)

Parameter	Symbol	Test Conditions	Min	Typ	Max	Unit
Collector Cutoff Current (Note 2)	I_{CES}	$V_{CEM} = 1000V, V_{BE} = 0$	–	–	100	μA
		$V_{CEM} = 1000V, V_{BE} = 0, T_J = +125^\circ C$	–	–	1	mA
Emitter Cutoff Current	I_{EBO}	$I_C = 0, V_{EB} = 5V$	–	–	1	mA
DC Current Gain	h_{FE}	$I_C = 50mA, V_{CE} = 5V$	–	50	–	
Collector–Emitter Saturation Voltage	$V_{CE(sat)}$	$I_C = 0.1A, I_B = 10mA$	–	–	0.8	V
		$I_C = 0.2A, I_B = 20mA$	–	–	1.0	V
Base–Emitter Saturation Voltage	$V_{BE(sat)}$	$I_C = 0.2A, I_B = 20mA$	–	–	1.0	V
Collector–Emitter Sustaining Voltage	$V_{CEO(sus)}$	$I_C = 100mA, I_{Boff} = 0, L = 25mH$	450	–	–	V
Transition Frequency	f_T	$I_C = 50mA, V_{CE} = 10V, f = 1MHz$	–	20	–	MHz
Turn–On Time	t_{on}	$I_{Con} = 0.2A, V_{CC} = 250V,$ $I_{Bon} = 20mA, -I_{Boff} = 40mA$	–	0.25	0.50	μs
Storage Time	t_s		–	2.0	3.5	μs
Fall Time	t_f		–	0.4	1.3	μs

Note 2. Measured with a half sine–wave voltage.



X-ON Electronics

Largest Supplier of Electrical and Electronic Components

Click to view similar products for [Bipolar Transistors - BJT category](#):

Click to view products by [NTE manufacturer](#):

Other Similar products are found below :

[619691C](#) [MCH4017-TL-H](#) [MJ15024/WS](#) [MJ15025/WS](#) [BC546/116](#) [BC556/FSC](#) [BC557/116](#) [BSW67A](#) [HN7G01FU-A\(T5L,F,T](#)
[NJVMJD148T4G](#) [NSVMMBT6520LT1G](#) [NTE187A](#) [NTE195A](#) [NTE2302](#) [NTE2330](#) [NTE2353](#) [NTE316](#) [IMX9T110](#) [NTE63](#) [NTE65](#)
[C4460](#) [SBC846BLT3G](#) [2SA1419T-TD-H](#) [2SA1721-O\(TE85L,F\)](#) [2SA1727TLP](#) [2SA2126-E](#) [2SB1202T-TL-E](#) [2SB1204S-TL-E](#) [2SC5488A-](#)
[TL-H](#) [2SD2150T100R](#) [SP000011176](#) [FMC5AT148](#) [2N2369ADCSM](#) [2SB1202S-TL-E](#) [2SC2412KT146S](#) [2SC4618TLN](#) [2SC5490A-TL-H](#)
[2SD1816S-TL-E](#) [2SD1816T-TL-E](#) [CMXT2207 TR](#) [CPH6501-TL-E](#) [MCH4021-TL-E](#) [BC557B](#) [TTC012\(Q\)](#) [BULD128DT4](#) [JANTX2N3810](#)
[Jantx2N5416](#) [US6T6TR](#) [KSF350](#) [068071B](#)