



ELECTRONICS, INC.

44 FARRAND STREET
BLOOMFIELD, NJ 07003
(973) 748-5089

NTE2355 (NPN) & NTE2356 (PNP) Silicon Complementary Transistors Digital ^{w/2} Built-In 10k Bias Resistors

Features:

- Built-In Bias Resistor ($R_1 = 10k\Omega$, $R_2 = 10k\Omega$)
- Small-Sized Package (TO92 type)

Applications:

- Switching Circuit
- Inverter
- Interface Circuit
- Driver

Absolute Maximum Ratings: ($T_A = +25^\circ\text{C}$ unless otherwise specified)

Collector to Base Voltage, V_{CB0}	50V
Collector to Emitter Voltage, V_{CEO}	50V
Emitter to Base Voltage, V_{EBO}	10V
Collector Current, I_C	
Continuous	100mA
Peak	200mA
Collector Dissipation, P_C	300mW
Operating Junction Temperature, T_J	$+150^\circ\text{C}$
Storage Temperature Range, T_{stg}	-55° to $+160^\circ\text{C}$

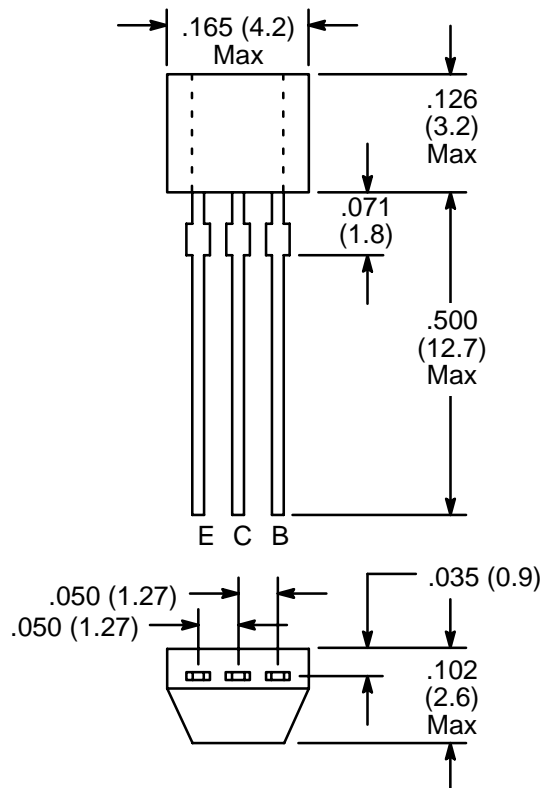
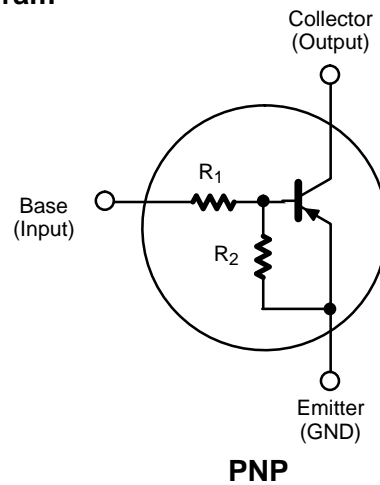
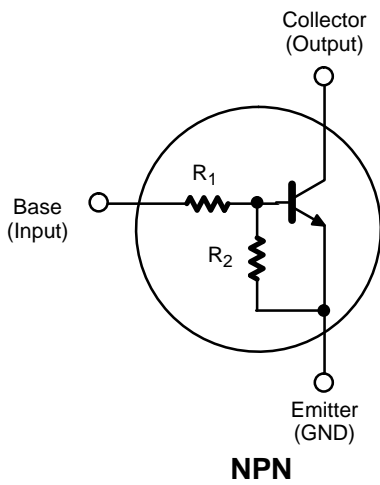
Electrical Characteristics: ($T_A = +25^\circ\text{C}$ unless otherwise specified)

Parameter	Symbol	Test Conditions	Min	Typ	Max	Unit
Collector Cutoff Current	I_{CB0}	$V_{CB} = 40V, I_E = 0$	-	-	0.1	μA
	I_{CEO}	$V_{CE} = 40V, I_B = 0$	-	-	0.5	μA
Emitter Cutoff Current	I_{EBO}	$V_{EB} = 5V, I_C = 0$	170	250	330	μA
DC Current Gain	h_{FE}	$V_{CE} = 5V, I_C = 10\text{mA}$	50	-	-	
Gain Band-width Product NTE2355	f_T	$V_{CE} = 10V, I_C = 5\text{mA}$	-	250	-	MHz
			-	200	-	MHz
Output Capacitance NTE2355	C_{ob}	$V_{CB} = 10V, f = 1\text{MHz}$	-	3.7	-	pF
			-	5.5	-	pF

Electrical Characteristics (Cont'd): ($T_A = +25^\circ\text{C}$ unless otherwise specified)

Parameter	Symbol	Test Conditions	Min	Typ	Max	Unit
Collector–Emitter Saturation Voltage	$V_{CE(sat)}$	$I_C = 10\text{mA}, I_B = 0.5\text{mA}$	–	0.1	0.3	V
Collector–Base Breakdown Voltage	$V_{(BR)CBO}$	$I_C = 10\mu\text{A}, I_E = 0$	50	–	–	V
Collector–Emitter Breakdown Voltage	$V_{(BR)CEO}$	$I_C = 100\mu\text{A}, R_{BE} = \infty$	50	–	–	V
Input OFF Voltage	$V_{I(off)}$	$V_{CE} = 5\text{V}, I_C = 100\mu\text{A}$	0.8	1.1	1.5	V
Input ON Voltage	$V_{I(on)}$	$V_{CE} = 200\text{mV}, I_C = 10\text{mA}$	1.0	2.0	4.0	V
Input Resistance	R_1		7.0	10.0	13.0	$k\Omega$
Input Resistance Ratio	R_1/R_2		0.9	1.0	1.1	

Schematic Diagram



X-ON Electronics

Largest Supplier of Electrical and Electronic Components

Click to view similar products for [Bipolar Transistors - BJT category](#):

Click to view products by [NTE manufacturer](#):

Other Similar products are found below :

[619691C](#) [MCH4017-TL-H](#) [MJ15024/WS](#) [MJ15025/WS](#) [BC546/116](#) [BC556/FSC](#) [BC557/116](#) [BSW67A](#) [HN7G01FU-A\(T5L,F,T](#)
[NJVMJD148T4G](#) [NSVMMBT6520LT1G](#) [NTE187A](#) [NTE195A](#) [NTE2302](#) [NTE2330](#) [NTE2353](#) [NTE316](#) [IMX9T110](#) [NTE63](#) [NTE65](#)
[C4460](#) [SBC846BLT3G](#) [2SA1419T-TD-H](#) [2SA1721-O\(TE85L,F\)](#) [2SA1727TLP](#) [2SA2126-E](#) [2SB1202T-TL-E](#) [2SB1204S-TL-E](#) [2SC5488A-](#)
[TL-H](#) [2SD2150T100R](#) [SP000011176](#) [FMC5AT148](#) [2N2369ADCSM](#) [2SB1202S-TL-E](#) [2SC2412KT146S](#) [2SC4618TLN](#) [2SC5490A-TL-H](#)
[2SD1816S-TL-E](#) [2SD1816T-TL-E](#) [CMXT2207 TR](#) [CPH6501-TL-E](#) [MCH4021-TL-E](#) [BC557B](#) [TTC012\(Q\)](#) [BULD128DT4](#) [JANTX2N3810](#)
[Jantx2N5416](#) [US6T6TR](#) [KSF350](#) [068071B](#)