



ELECTRONICS, INC.
 44 FARRAND STREET
 BLOOMFIELD, NJ 07003
 (973) 748-5089
<http://www.nteinc.com>

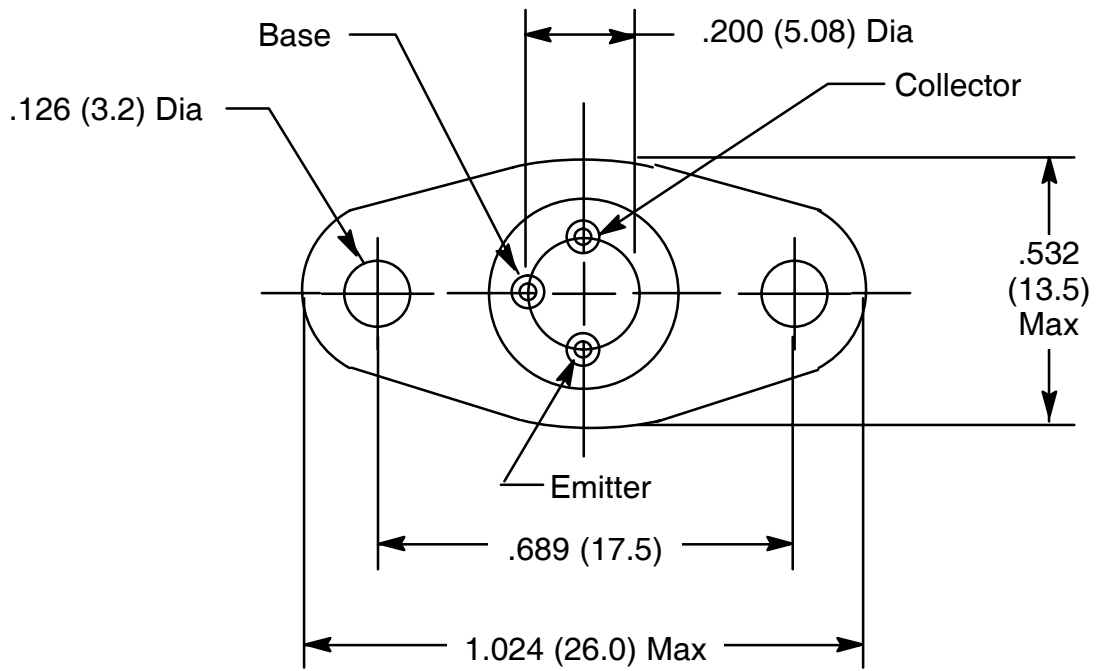
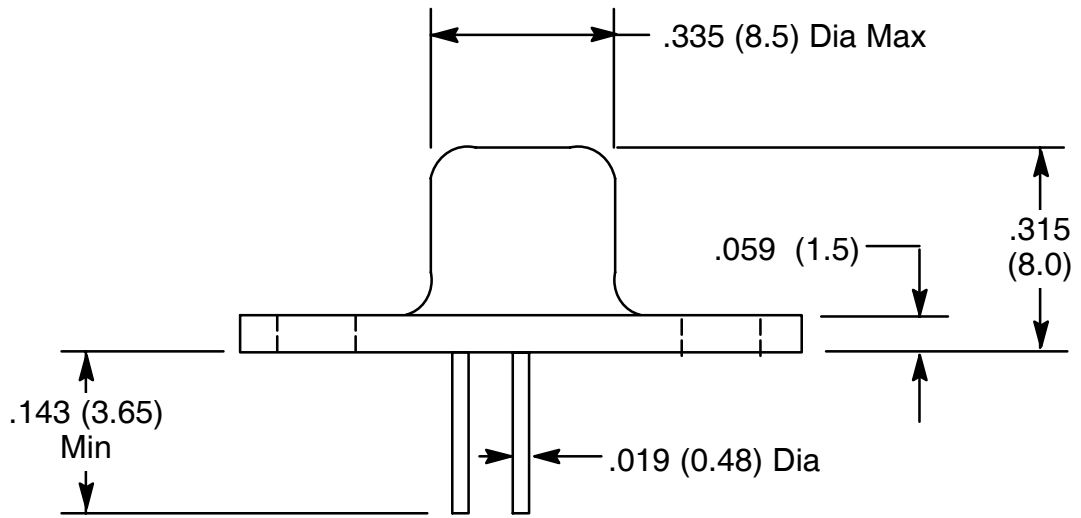
NTE237 Silicon NPN Transistor RF Power Output ($P_O = 3.5W, 27MHz$)

Absolute Maximum Ratings: ($T_A = +25^\circ C$ unless otherwise specified)

Collector-Base Voltage, V_{CBO}	60V
Collector-Emitter Voltage ($R_{BE} = 10\Omega$), V_{CER}	60V
Emitter-Base Voltage, V_{EBO}	4V
Collector Current, I_C	
Continuous	2A
Peak	4A
Emitter Current, I_E	
Continuous	-2A
Peak	-4A
Power Dissipation ($T_C = +25^\circ C$), P_C	10W
Operating Junction Temperature, T_J	+175°C
Storage Temperature Range, T_{stg}	-65° to +175°C

Electrical Characteristics: ($T_A = +25^\circ C$ unless otherwise specified)

Parameter	Symbol	Test Conditions	Min	Typ	Max	Unit
Collector Cutoff Current	I_{CBO}	$V_{CB} = 30V, I_E = 0$	-	-	10	μA
DC Current Gain	h_{FE}	$V_{CE} = 5V, I_C = 500mA$	10	30	140	
Collector-Emitter Saturation Voltage	$V_{CE(sat)}$	$I_C = 500mA, I_B = 100mA$	-	-	1.0	V
Base-Emitter Voltage	V_{BE}	$V_{CE} = 5V, I_C = 500mA$	-	-	1.2	V
Current Gain Bandwidth Product	f_T	$V_{CE} = 10V, I_E = -200mA$	150	300	-	MHz
Output Capacitance	C_{ob}	$V_{CB} = 10V, I_E = 0, f = 1MHz$	-	25	50	pF
Output Power	P_O	$V_{CC} = 12V, f = 50MHz,$ $P_{in} = 0.4W$	4	5	-	W



X-ON Electronics

Largest Supplier of Electrical and Electronic Components

Click to view similar products for [Bipolar Transistors - BJT category](#):

Click to view products by [NTE manufacturer](#):

Other Similar products are found below :

[619691C](#) [MCH4017-TL-H](#) [MJ15024/WS](#) [MJ15025/WS](#) [BC546/116](#) [BC556/FSC](#) [BC557/116](#) [BSW67A](#) [HN7G01FU-A\(T5L,F,T](#)
[NJVMJD148T4G](#) [NSVMMBT6520LT1G](#) [NTE187A](#) [NTE195A](#) [NTE2302](#) [NTE2330](#) [NTE2353](#) [NTE316](#) [IMX9T110](#) [NTE63](#) [NTE65](#)
[C4460](#) [SBC846BLT3G](#) [2SA1419T-TD-H](#) [2SA1721-O\(TE85L,F\)](#) [2SA1727TLP](#) [2SA2126-E](#) [2SB1202T-TL-E](#) [2SB1204S-TL-E](#) [2SC5488A-](#)
[TL-H](#) [2SD2150T100R](#) [SP000011176](#) [FMC5AT148](#) [2N2369ADCSM](#) [2SB1202S-TL-E](#) [2SC2412KT146S](#) [2SC4618TLN](#) [2SC5490A-TL-H](#)
[2SD1816S-TL-E](#) [2SD1816T-TL-E](#) [CMXT2207 TR](#) [CPH6501-TL-E](#) [MCH4021-TL-E](#) [BC557B](#) [TTC012\(Q\)](#) [BULD128DT4](#) [JANTX2N3810](#)
[Jantx2N5416](#) [US6T6TR](#) [KSF350](#) [068071B](#)