

NTE23 Silicon NPN Transistor Ultra High Frequency Amp

Description:

The NTE23 is suitable for a low noise amplifier in the VHF to UHF band.

Features:

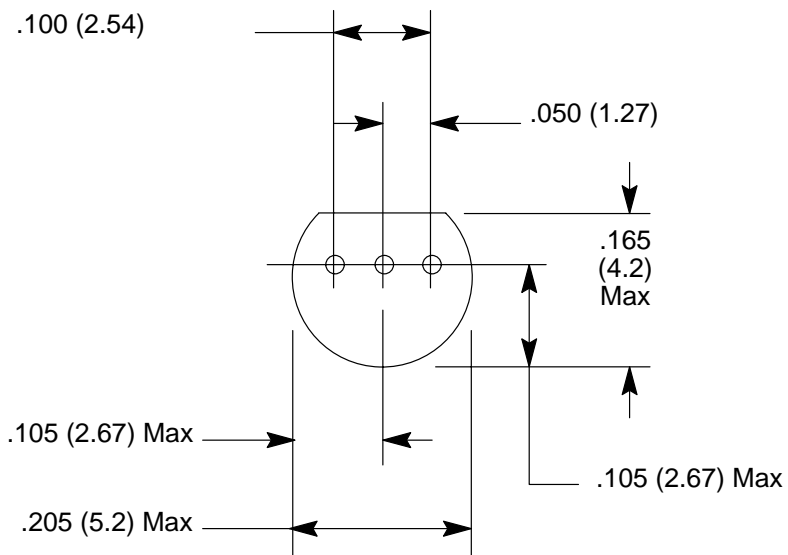
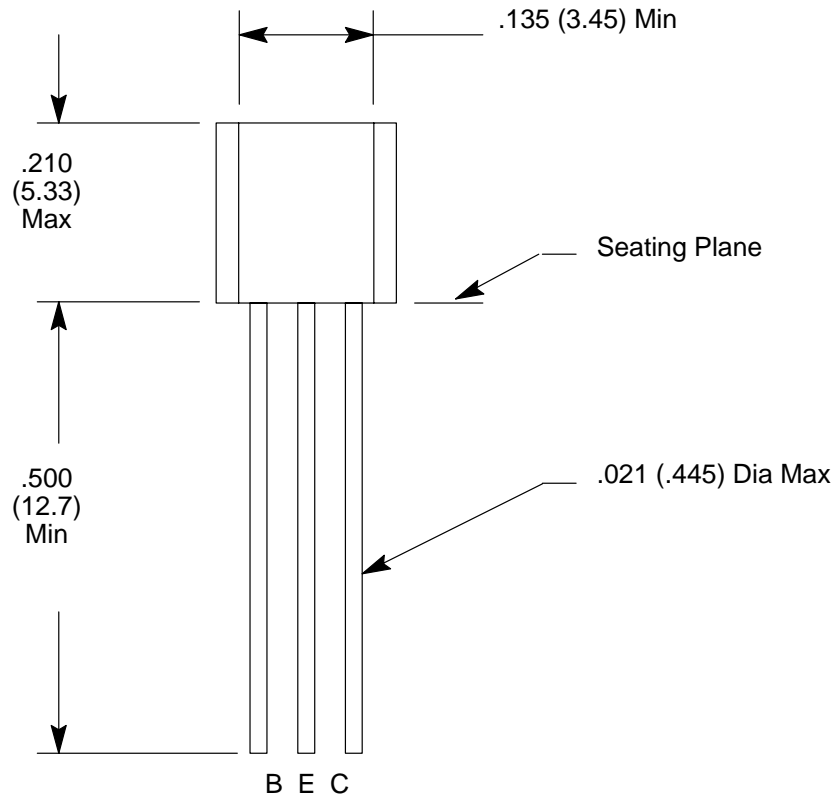
- Low Noise Figure: NF 3.0dB Typ. @ f = 500MHz
- High Power Gain: G_{pe} 15dB Typ. @ f = 500MHz
- High Cutoff Frequency: f_T = 2.0GHz Typ

Absolute Maximum Ratings: ($T_A = +25^\circ\text{C}$ unless otherwise specified)

Collector–Base Voltage, V_{CBO}	30V
Collector–Emitter Voltage, V_{CEO}	14V
Emitter–Base Voltage, V_{EBO}	3.0V
Collector Current, I_C	50mA
Total Power Dissipation, P_T	250mW
Junction Temperatur, T_J	+150°C
Storage Temperature Range, T_{stg}	–55° to +150°C

Electrical Characteristics:

Parameter	Symbol	Test Conditions	Min	Typ	Max	Unit
Collector Cutoff Current	I_{CBO}	$V_{CB} = 15V, I_E = 0$	–	–	0.1	μA
Emitter Cutoff Current	I_{EBO}	$V_{EB} = 2V, I_C = 0$	–	–	0.1	μA
DC Current Gain	h_{FE}	$V_{CE} = 10V, I_C = 10mA$	25	80	200	–
Gain–Bandwidth Product	f_T	$V_{CE} = 10V, I_C = 10mA$	1.5	2.0	–	GHz
Output Capacitance	C_{ob}	$V_{CB} = 10V, I_E = 0, f = 1MHz$	–	0.75	1.1	pF
Maximum Available Power Gain	G_{pe}	$V_{CE} = 10V, I_C = 10mA, f = 500MHz$	13	15	–	dB
Noise Figure	NF	$V_{CE} = 10V, I_C = 3mA, f = 500MHz$	–	3.0	4.0	dB



X-ON Electronics

Largest Supplier of Electrical and Electronic Components

Click to view similar products for [Bipolar Transistors - BJT category](#):

Click to view products by [NTE manufacturer](#):

Other Similar products are found below :

[619691C](#) [MCH4017-TL-H](#) [MJ15024/WS](#) [MJ15025/WS](#) [BC546/116](#) [BC556/FSC](#) [BC557/116](#) [BSW67A](#) [HN7G01FU-A\(T5L,F,T](#)
[NJVMJD148T4G](#) [NSVMMBT6520LT1G](#) [NTE187A](#) [NTE195A](#) [NTE2302](#) [NTE2330](#) [NTE2353](#) [NTE316](#) [IMX9T110](#) [NTE63](#) [NTE65](#)
[C4460](#) [SBC846BLT3G](#) [2SA1419T-TD-H](#) [2SA1721-O\(TE85L,F\)](#) [2SA1727TLP](#) [2SA2126-E](#) [2SB1202T-TL-E](#) [2SB1204S-TL-E](#) [2SC5488A-](#)
[TL-H](#) [2SD2150T100R](#) [SP000011176](#) [FMC5AT148](#) [2N2369ADCSM](#) [2SB1202S-TL-E](#) [2SC2412KT146S](#) [2SC4618TLN](#) [2SC5490A-TL-H](#)
[2SD1816S-TL-E](#) [2SD1816T-TL-E](#) [CMXT2207 TR](#) [CPH6501-TL-E](#) [MCH4021-TL-E](#) [BC557B](#) [TTC012\(Q\)](#) [BULD128DT4](#) [JANTX2N3810](#)
[Jantx2N5416](#) [US6T6TR](#) [KSF350](#) [068071B](#)