

NTE2511 (NPN) & NTE2512 (PNP) Silicon Complementary Transistors High Frequency Video Output for HDTV

Features:

- High Gain Bandwidth Product: $f_T = 800\text{MHz Typ.}$
- Low Reverse Transfer Capacitance and Excellent HF Response:
 NTE2511: $C_{re} = 2.9\text{pF}$
 NTE2512: $C_{re} = 4.6\text{pF}$

Applications:

- Very High-Definition CRT Display
- Video Output
- Color TV Chroma Output
- Wide-Band Amp

Absolute Maximum Ratings: ($T_A = +25^\circ\text{C}$ unless otherwise specified)

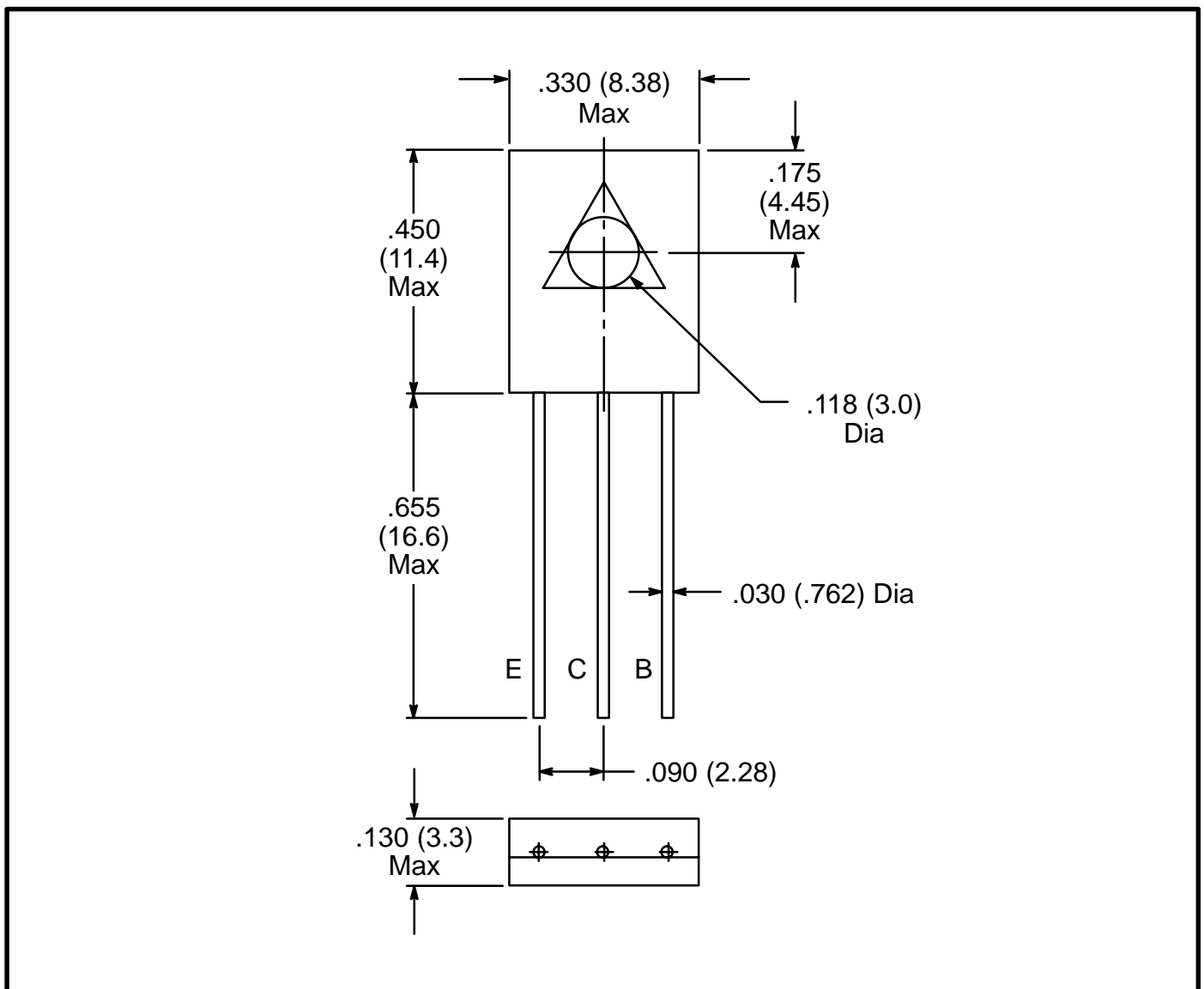
Collector Base Voltage, V_{CB0}	80V
Collector Emitter Voltage, V_{CEO}	60V
Emitter base Voltage, V_{EBO}	4V
Collector Current, I_C	
Continuous	500mA
Peak	1A
Collector Power Dissipation, P_C	
$T_A = +25^\circ\text{C}$	1.2W
$T_C = +25^\circ\text{C}$	10W
Operating Junction Temperature, T_J	+150°C
Storage Temperature Range, T_{stg}	-55° to +150°C

Electrical Characteristics: ($T_A = +25^\circ\text{C}$ unless otherwise specified)

Parameter	Symbol	Test Conditions	Min	Typ	Max	Unit
Collector Cutoff Current	I_{CB0}	$V_{CB} = 60\text{V}, I_E = 0$	–	–	0.1	μA
Emitter Cutoff Current	I_{EBO}	$V_{EB} = 2\text{V}, I_C = 0$	–	–	1.0	μA
DC Current Gain	h_{FE}	$V_{CE} = 10\text{V}, I_C = 50\text{mA}$	100	–	320	
		$V_{CE} = 10\text{V}, I_C = 400\text{mA}$	20	–	–	
Gain Bandwidth Product	f_T	$V_{CE} = 10\text{V}, I_C = 100\text{mA}$	–	800	–	MHz

Electrical Characteristics (Cont'd): ($T_A = +25^\circ\text{C}$ unless otherwise specified)

Parameter	Symbol	Test Conditions	Min	Typ	Max	Unit
Collector Emitter Saturation Voltage NTE2511	$V_{CE(sat)}$	$I_C = 100\text{mA}, I_B = 10\text{mA}$	-	-	0.6	V
NTE2512			-	-	0.8	V
Base Emitter Saturation Voltage	$V_{BE(sat)}$	$I_C = 100\text{mA}, I_B = 10\text{mA}$	-	-	1.0	V
Collector Base Breakdown Voltage	$V_{(BR)CBO}$	$I_C = 10\mu\text{A}, I_E = 0$	80	-	-	V
Collector Emitter Breakdown Voltage	$V_{(BR)CEO}$	$I_C = 1\text{mA}, R_{BE} = \infty$	60	-	-	V
Emitter Base Breakdown Voltage	$V_{(BR)EBO}$	$I_E = 100\mu\text{A}, I_C = 0$	4	-	-	V
Output Capacitance NTE2511	C_{ob}	$V_{CB} = 30\text{V}, f = 1\text{MHz}$	-	3.4	-	pF
NTE2512			-	5.2	-	pF
Reverse Transfer Capacitance NTE2511	C_{re}	$V_{CB} = 30\text{V}, f = 1\text{MHz}$	-	2.9	-	pF
NTE2512			-	4.6	-	pF



X-ON Electronics

Largest Supplier of Electrical and Electronic Components

Click to view similar products for [Bipolar Transistors - BJT category](#):

Click to view products by [NTE manufacturer](#):

Other Similar products are found below :

[619691C](#) [MCH4017-TL-H](#) [MJ15024/WS](#) [MJ15025/WS](#) [BC546/116](#) [BC556/FSC](#) [BC557/116](#) [BSW67A](#) [HN7G01FU-A\(T5L,F,T](#)
[NJVMJD148T4G](#) [NSVMMBT6520LT1G](#) [NTE187A](#) [NTE195A](#) [NTE2302](#) [NTE2330](#) [NTE2353](#) [NTE316](#) [IMX9T110](#) [NTE63](#) [NTE65](#)
[C4460](#) [SBC846BLT3G](#) [2SA1419T-TD-H](#) [2SA1721-O\(TE85L,F\)](#) [2SA1727TLP](#) [2SA2126-E](#) [2SB1202T-TL-E](#) [2SB1204S-TL-E](#) [2SC5488A-](#)
[TL-H](#) [2SD2150T100R](#) [SP000011176](#) [FMC5AT148](#) [2N2369ADCSM](#) [2SB1202S-TL-E](#) [2SC2412KT146S](#) [2SC4618TLN](#) [2SC5490A-TL-H](#)
[2SD1816S-TL-E](#) [2SD1816T-TL-E](#) [CMXT2207 TR](#) [CPH6501-TL-E](#) [MCH4021-TL-E](#) [BC557B](#) [TTC012\(Q\)](#) [BULD128DT4](#) [JANTX2N3810](#)
[Jantx2N5416](#) [US6T6TR](#) [KSF350](#) [068071B](#)