

NTE2633 (NPN) & NTE2634 (PNP) Silicon Complementary Transistors High Frequency Video Driver

Description:

The NTE2633 (NPN) and NTE2634 (PNP) are silicon complementary epitaxial transistor in a TO126 type package designed for use in the buffer stage of the driver for high-resolution color graphics monitors.

Features:

- High Breakdown Voltage
- Low Output Capacitance

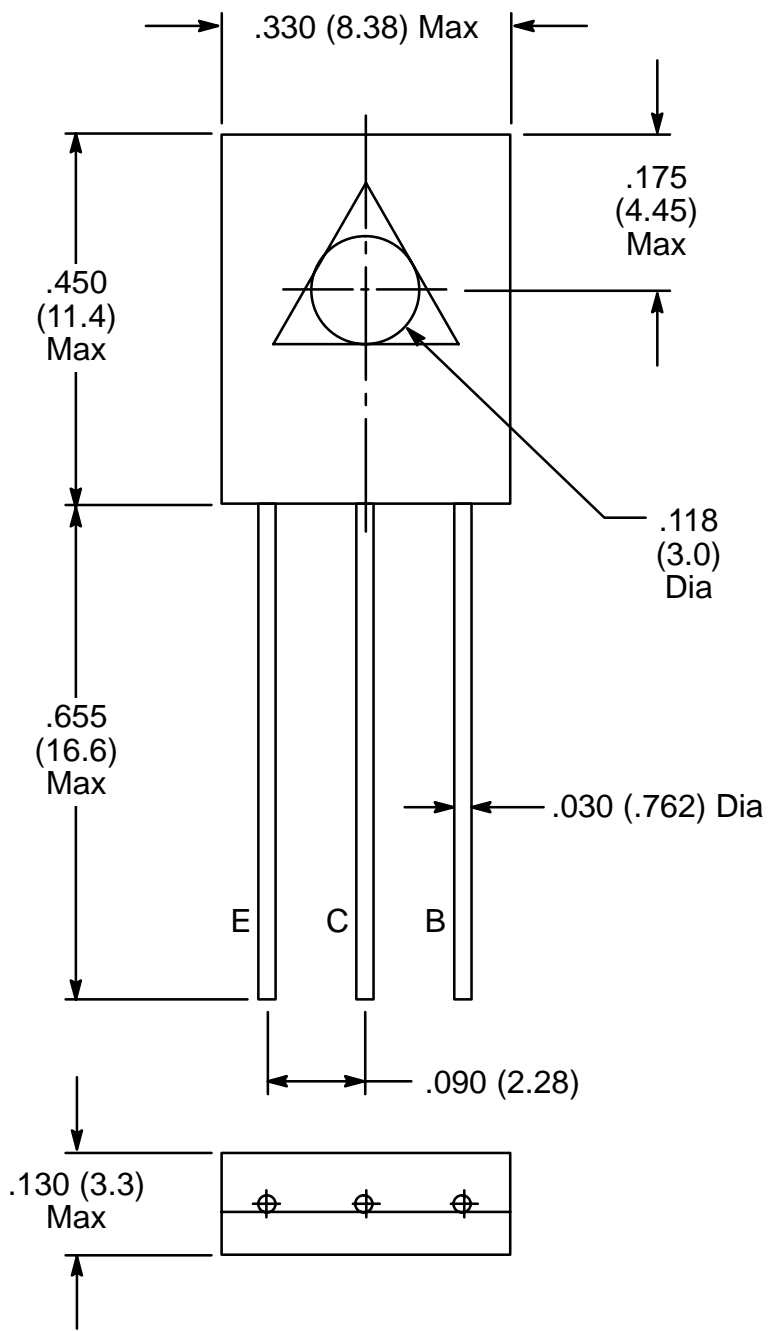
Absolute Maximum Ratings:

Collector–Base Voltage, V_{CBO}	115V
Collector–Emitter Voltage, V_{CEO}	95V
Collector–Emitter Voltage ($R_{BE} = 100\Omega$), V_{CER}	110V
Emitter–Base Voltage, V_{EBO}	3V
DC Collector Current, I_C	300mA
Total Power Dissipation ($T_S \leq +115^\circ\text{C}$, Note 1), P_{tot}	3W
Operating Junction Temperature, T_J	+175°C
Storage Temperature Range, T_{stg}	–65° to +175°C
Thermal Resistance, Junction–to–Soldering Point ($T_S \leq +115^\circ\text{C}$, Note 1), R_{thJS}	20K/W

Note 1. T_S is the temperature at the soldering point of the collector lead.

Electrical Characteristics: ($T_J = +25^\circ\text{C}$ unless otherwise specified)

Parameter	Symbol	Test Conditions	Min	Typ	Max	Unit
Collector–Base Breakdown Voltage	$V_{(BR)CBO}$	$I_C = 0.1\text{mA}$	115	–	–	V
Collector–Emitter Breakdown Voltage	$V_{(BR)CEO}$	$I_C = 10\text{mA}$	95	–	–	V
	$V_{(BR)CER}$	$I_C = 10\text{mA}$, $R_{BE} = 100\Omega$	110	–	–	V
Emitter–Base Breakdown Voltage	$V_{(BR)EBO}$	$I_E = 0.1\text{mA}$	3	–	–	V
Collector Cutoff Current	I_{CES}	$I_B = 0$, $V_{CE} = 50\text{V}$	–	–	100	μA
	I_{CBO}	$I_E = 0$, $V_{CB} = 50\text{V}$	–	–	20	μA
DC Current Gain	h_{FE}	$I_C = 50\text{mA}$, $V_{CE} = 10\text{V}$, $T_A = +25^\circ\text{C}$	20	35	–	
Transition Frequency	f_T	$I_C = 50\text{mA}$, $V_{CE} = 10\text{V}$, $f = 100\text{MHz}$, $T_A = +25^\circ\text{C}$	0.8	1.2	–	GHz
Collector–Base Capacitance	C_{cb}	$I_C = 0$, $V_{CB} = 10\text{V}$, $f = 1\text{MHz}$, $T_A = +25^\circ\text{C}$	–	2.0	–	pF



X-ON Electronics

Largest Supplier of Electrical and Electronic Components

Click to view similar products for [Bipolar Transistors - BJT category](#):

Click to view products by [NTE manufacturer](#):

Other Similar products are found below :

[619691C](#) [MCH4017-TL-H](#) [MJ15024/WS](#) [MJ15025/WS](#) [BC546/116](#) [BC556/FSC](#) [BC557/116](#) [BSW67A](#) [HN7G01FU-A\(T5L,F,T](#)
[NJVMJD148T4G](#) [NSVMMBT6520LT1G](#) [NTE187A](#) [NTE195A](#) [NTE2302](#) [NTE2330](#) [NTE2353](#) [NTE316](#) [IMX9T110](#) [NTE63](#) [NTE65](#)
[C4460](#) [SBC846BLT3G](#) [2SA1419T-TD-H](#) [2SA1721-O\(TE85L,F\)](#) [2SA1727TLP](#) [2SA2126-E](#) [2SB1202T-TL-E](#) [2SB1204S-TL-E](#) [2SC5488A-](#)
[TL-H](#) [2SD2150T100R](#) [SP000011176](#) [FMC5AT148](#) [2N2369ADCSM](#) [2SB1202S-TL-E](#) [2SC2412KT146S](#) [2SC4618TLN](#) [2SC5490A-TL-H](#)
[2SD1816S-TL-E](#) [2SD1816T-TL-E](#) [CMXT2207 TR](#) [CPH6501-TL-E](#) [MCH4021-TL-E](#) [BC557B](#) [TTC012\(Q\)](#) [BULD128DT4](#) [JANTX2N3810](#)
[Jantx2N5416](#) [US6T6TR](#) [KSF350](#) [068071B](#)