



ELECTRONICS, INC.
 44 FARRAND STREET
 BLOOMFIELD, NJ 07003
 (973) 748-5089

NTE283 Silicon NPN Transistor Horizontal Output, Switch

Description:

The NTE283 is a silicon NPN transistor in a TO3 type package designed for high-voltage, high-speed, power switching in inductive circuits where fall time is critical. Typical applications include switching regulators, PWM inverters, solenoid and relay drivers.

Absolute Maximum Ratings:

Collector–Emitter Voltage ($I_B = 0$), V_{CEO}	325V
Collector–Emitter Voltage ($V_{BE} = 0$), V_{CES}	800V
Emitter–Base Voltage, V_{EBO}	8V
Collector Current, I_C	
Continuous	10A
Peak ($t_p \leq 10ms$)	15A
Base Current, I_B	3A
Total Power Dissipation ($T_C \leq +25^\circ C$), P_{tot}	100W
Operating Junction Temperature, T_J	+200°C
Storage Temperature Range, T_{stg}	-65° to +200°C
Thermal Resistance, Junction–to–Case, R_{thJC}	1.75°C/W

Electrical Characteristics: ($T_C = +25^\circ C$ unless otherwise specified)

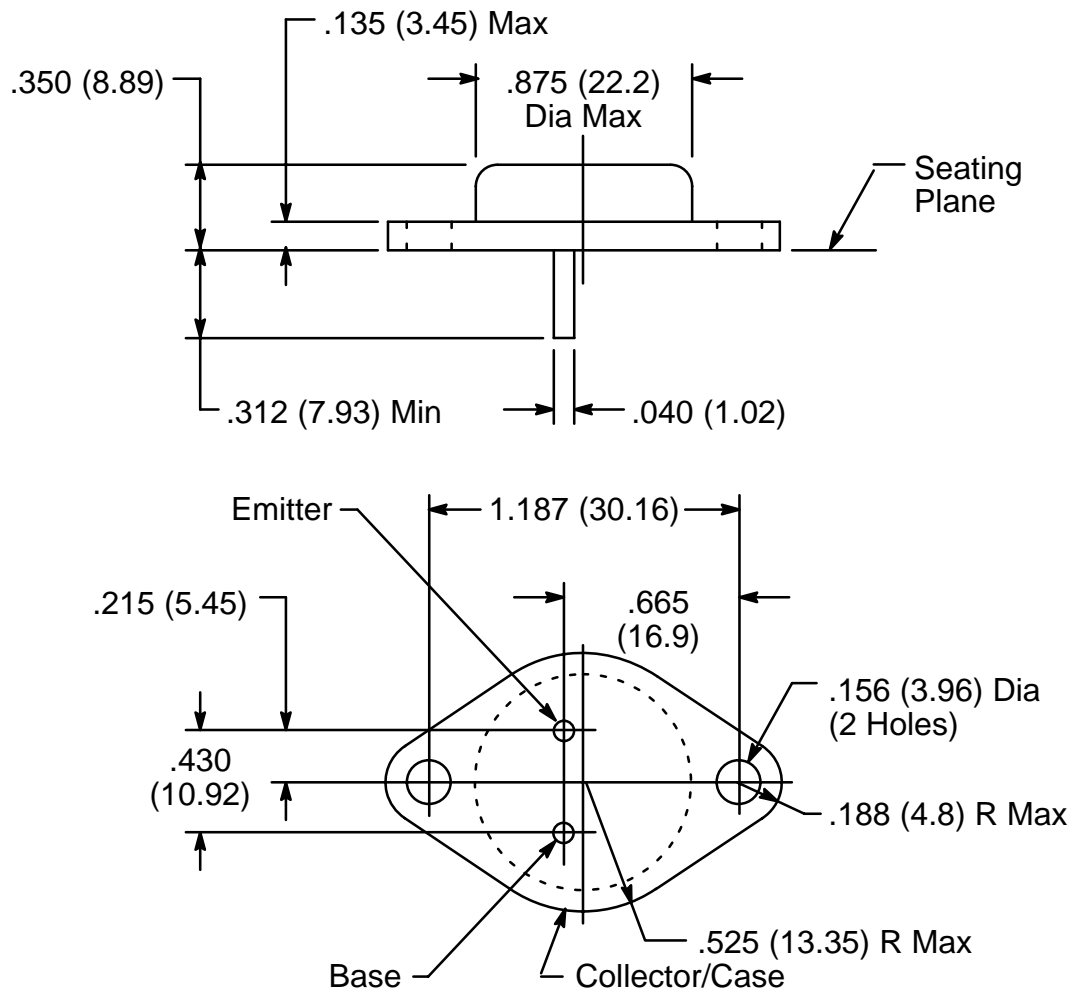
Parameter	Symbol	Test Conditions	Min	Typ	Max	Unit
Collector Cutoff Current	I_{CES}	$V_{CEV} = 800V, V_{BE} = 0$	–	–	1	mA
Emitter Cutoff Current	I_{EBO}	$V_{EB} = 8V, I_C = 0$	–	–	1	mA
Collector–Base Voltage	V_{CBO}	$I_C = 1mA, I_E = 0$	800	–	–	V
Collector–Emitter Sustaining Voltage	$V_{CEO(su)}$	$I_C = 100mA, I_B = 0$, Note 1	325	–	–	V
Collector–Emitter Saturation Voltage	$V_{CE(sat)}$	$I_C = 8A, I_B = 2.5A$, Note 1	–	–	3.3	V
Base–Emitter Saturation Voltage	$V_{BE(sat)}$	$I_C = 8A, I_B = 2.5A$, Note 1	–	–	2.2	V
DC Current Gain	h_{FE}	$V_{CE} = 10V, I_C = 2.5A$, Note 1	15	–	–	
Current Gain–Bandwidth Product	f_T	$V_{CE} = 10V, I_C = 500mA$	–	10	–	MHz
Second Breakdown Collector Current	$I_{S/b}$	$V_{CE} = 25V$, Note 2	4	–	–	A

Note 1. Pulse test: Pulse Width = 300µs, Duty Cycle = 1.5%.

Note 2. Pulsed: 1sec, non-repetitive pulse.

Electrical Characteristics (Cont'd): ($T_C = +25^\circ\text{C}$ unless otherwise specified)

Parameter	Symbol	Test Conditions	Min	Typ	Max	Unit
Turn-On Time	t_{on}	$V_{CC} = 250\text{V}, I_C = 5\text{A}, I_{B1} = 1\text{A}$	–	0.2	–	μs
Storage Time	t_s	$V_{CC} = 250\text{V}, I_C = 5\text{A}, I_{B1} = -I_{B2} = 1\text{A}$	–	1.7	–	μs
Fall Time	t_f		–	0.3	–	μs
Fall Time	t_f	$V_{CC} = 40\text{V}, I_C = 8\text{A}, I_{B1} = -I_{B2} = 2.5\text{A}$	–	–	1.0	μs



X-ON Electronics

Largest Supplier of Electrical and Electronic Components

Click to view similar products for [Bipolar Transistors - BJT category](#):

Click to view products by [NTE manufacturer](#):

Other Similar products are found below :

[619691C](#) [MCH4017-TL-H](#) [MJ15024/WS](#) [MJ15025/WS](#) [BC546/116](#) [BC556/FSC](#) [BC557/116](#) [BSW67A](#) [HN7G01FU-A\(T5L,F,T](#)
[NJVMJD148T4G](#) [NSVMMBT6520LT1G](#) [NTE187A](#) [NTE195A](#) [NTE2302](#) [NTE2330](#) [NTE2353](#) [NTE316](#) [IMX9T110](#) [NTE63](#) [NTE65](#)
[C4460](#) [SBC846BLT3G](#) [2SA1419T-TD-H](#) [2SA1721-O\(TE85L,F\)](#) [2SA1727TLP](#) [2SA2126-E](#) [2SB1202T-TL-E](#) [2SB1204S-TL-E](#) [2SC5488A-](#)
[TL-H](#) [2SD2150T100R](#) [SP000011176](#) [FMC5AT148](#) [2N2369ADCSM](#) [2SB1202S-TL-E](#) [2SC2412KT146S](#) [2SC4618TLN](#) [2SC5490A-TL-H](#)
[2SD1816S-TL-E](#) [2SD1816T-TL-E](#) [CMXT2207 TR](#) [CPH6501-TL-E](#) [MCH4021-TL-E](#) [BC557B](#) [TTC012\(Q\)](#) [BULD128DT4](#) [JANTX2N3810](#)
[Jantx2N5416](#) [US6T6TR](#) [KSF350](#) [068071B](#)