



**ELECTRONICS, INC.**  
 44 FARRAND STREET  
 BLOOMFIELD, NJ 07003  
 (973) 748-5089

## NTE284 (NPN) & NTE285 (PNP) Silicon Complementary Transistors Audio Amplifier Output

### **Description:**

The NTE284 (NPN) and NTE285 (PNP) are silicon complementary power transistors in a TO3 type package designed for use in power amplifier applications.

### **Applications:**

- Recommended for 100W High-Fidelity Audio Frequency Amplifier Output Stage

### **Absolute Maximum Ratings:** ( $T_A = +25^\circ\text{C}$ unless otherwise specified)

Collector to Base Voltage, $V_{CBO}$ .....	180V
Collector to Emitter Voltage, $V_{CEO}$ .....	180V
Emitter to Base Voltage, $V_{EBO}$ .....	5V
Collector Current, $I_C$ .....	16A
Emitter Current, $I_E$ .....	16A
Power Dissipation, $P_C$ .....	150W
Junction Temperature, $T_j$ .....	+150°C
Storage Temperature, $T_{stg}$ .....	-65°C to +150°C

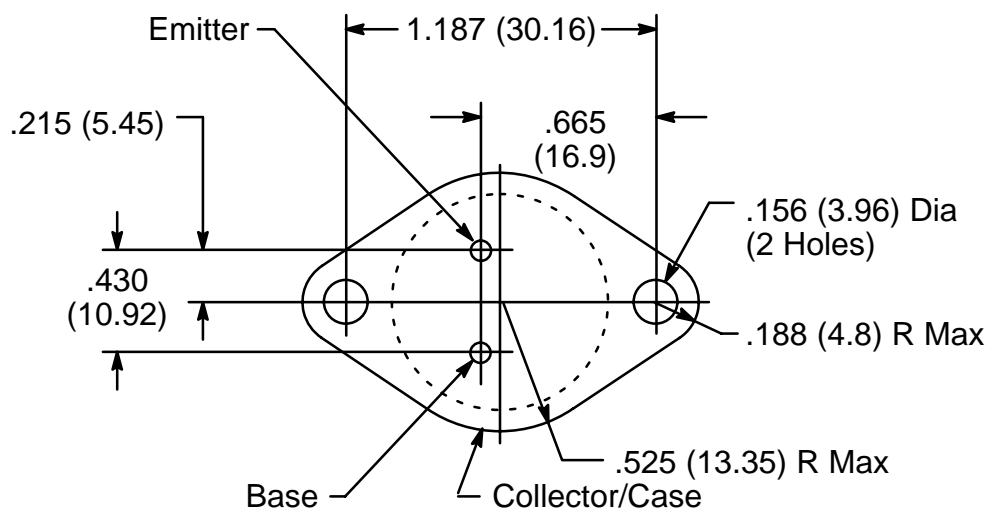
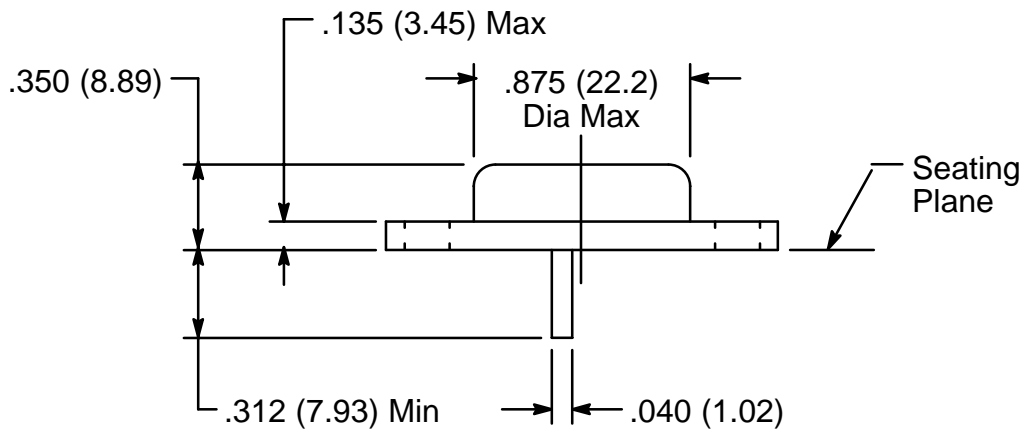
### **Electrical Characteristics:** ( $T_A = +25^\circ\text{C}$ unless otherwise specified)

Parameter	Symbol	Condition	Min	Typ	Max	Unit
Collector Cutoff Current	$I_{CBO}$	$V_{CB} = 90V, I_E = 0$	-	-	100	$\mu\text{A}$
Emitter Cutoff Current	$I_{EBO}$	$V_{EB} = 5V, I_C = 0$	-	-	100	$\mu\text{A}$
Collector-Emitter Breakdown Voltage	$V_{(BR)CEO}$	$I_C = 0.1A, I_B = 0$	180	-	-	V
Emitter-Base Breakdown Voltage	$V_{(BR)EBO}$	$I_E = 10mA, I_C = 0$	5	-	-	V
DC Current Gain	$h_{FE}$	$V_{CE} = 5V, I_C = 2A$	70	-	140	V
Collector-Emitter Saturation Voltage	$V_{CE(sat)}$	$I_C = 10A, I_B = 1A$	-	-	3.0	V
Base to Emitter Voltage	$V_{BE}$	$V_{CE} = 5V, I_C = 10A$	-	-	2.5	V
Current Gain Bandwidth Product	$f_T$	$V_{CE} = 5V, I_C = 2A$	-	6	-	MHz
Output Capacitance NTE284	$C_{ob}$	$V_{CB} = 10V, I_E = 0, f = 1MHz$	-	300	-	pF
NTE285			-	450	-	pF

Note 1. NTE284MP is a matched pair of NTE284 with their DC Current Gain ( $h_{FE}$ ) matched to within 10% of each other.

Note 2. NTE285MP is a matched pair of NTE285 with their DC Current Gain ( $h_{FE}$ ) matched to within 10% of each other.

Note 3. NTE285MCP is a matched complementary pair containing 1 each of NTE284 (NPN) and NTE285 (PNP).



## X-ON Electronics

Largest Supplier of Electrical and Electronic Components

*Click to view similar products for [Bipolar Transistors - BJT category](#):*

*Click to view products by [NTE manufacturer](#):*

Other Similar products are found below :

[619691C](#) [MCH4017-TL-H](#) [MJ15024/WS](#) [MJ15025/WS](#) [BC546/116](#) [BC556/FSC](#) [BC557/116](#) [BSW67A](#) [HN7G01FU-A\(T5L,F,T](#)  
[NJVMJD148T4G](#) [NSVMMBT6520LT1G](#) [NTE187A](#) [NTE195A](#) [NTE2302](#) [NTE2330](#) [NTE2353](#) [NTE316](#) [IMX9T110](#) [NTE63](#) [NTE65](#)  
[C4460](#) [SBC846BLT3G](#) [2SA1419T-TD-H](#) [2SA1721-O\(TE85L,F\)](#) [2SA1727TLP](#) [2SA2126-E](#) [2SB1202T-TL-E](#) [2SB1204S-TL-E](#) [2SC5488A-](#)  
[TL-H](#) [2SD2150T100R](#) [SP000011176](#) [FMC5AT148](#) [2N2369ADCSM](#) [2SB1202S-TL-E](#) [2SC2412KT146S](#) [2SC4618TLN](#) [2SC5490A-TL-H](#)  
[2SD1816S-TL-E](#) [2SD1816T-TL-E](#) [CMXT2207 TR](#) [CPH6501-TL-E](#) [MCH4021-TL-E](#) [BC557B](#) [TTC012\(Q\)](#) [BULD128DT4](#) [JANTX2N3810](#)  
[Jantx2N5416](#) [US6T6TR](#) [KSF350](#) [068071B](#)