



**ELECTRONICS, INC.**  
 44 FARRAND STREET  
 BLOOMFIELD, NJ 07003  
 (973) 748-5089

## NTE287 (NPN) & NTE288 (PNP) Silicon Complementary Transistors High Voltage, General Purpose Amplifier

### Absolute Maximum Ratings:

Collector–Emitter Voltage, $V_{CEO}$ .....	300V
Collector–Base Voltage, $V_{CBE}$ .....	300V
Emitter–Base Voltage, $V_{EBO}$	
NTE287 .....	6V
NTE288 .....	5V
Continuous Collector Current, $I_C$ .....	500mA
Total Device Dissipation @ $T_A = +25^\circ\text{C}$ , $P_D$ .....	625mW
Derate Above $+25^\circ\text{C}$ .....	5mW/ $^\circ\text{C}$
Total Device Dissipation @ $T_C = +25^\circ\text{C}$ , $P_D$ .....	1.5W
Derate Above $+25^\circ\text{C}$ .....	12mW/ $^\circ\text{C}$
Operating Junction Temperature Range, $T_J$ .....	$-55^\circ$ to $+150^\circ\text{C}$
Storage Temperature Range, $T_{stg}$ .....	$-55^\circ$ to $+150^\circ\text{C}$
Thermal Resistance, Junction–to–Ambient, $R_{thJA}$ .....	200 $^\circ\text{C}/\text{mW}$
Thermal Resistance, Junction–to–Case, $R_{thJC}$ .....	83.3 $^\circ\text{C}/\text{mW}$

### Electrical Characteristics: ( $T_A = +25^\circ\text{C}$ unless otherwise specified)

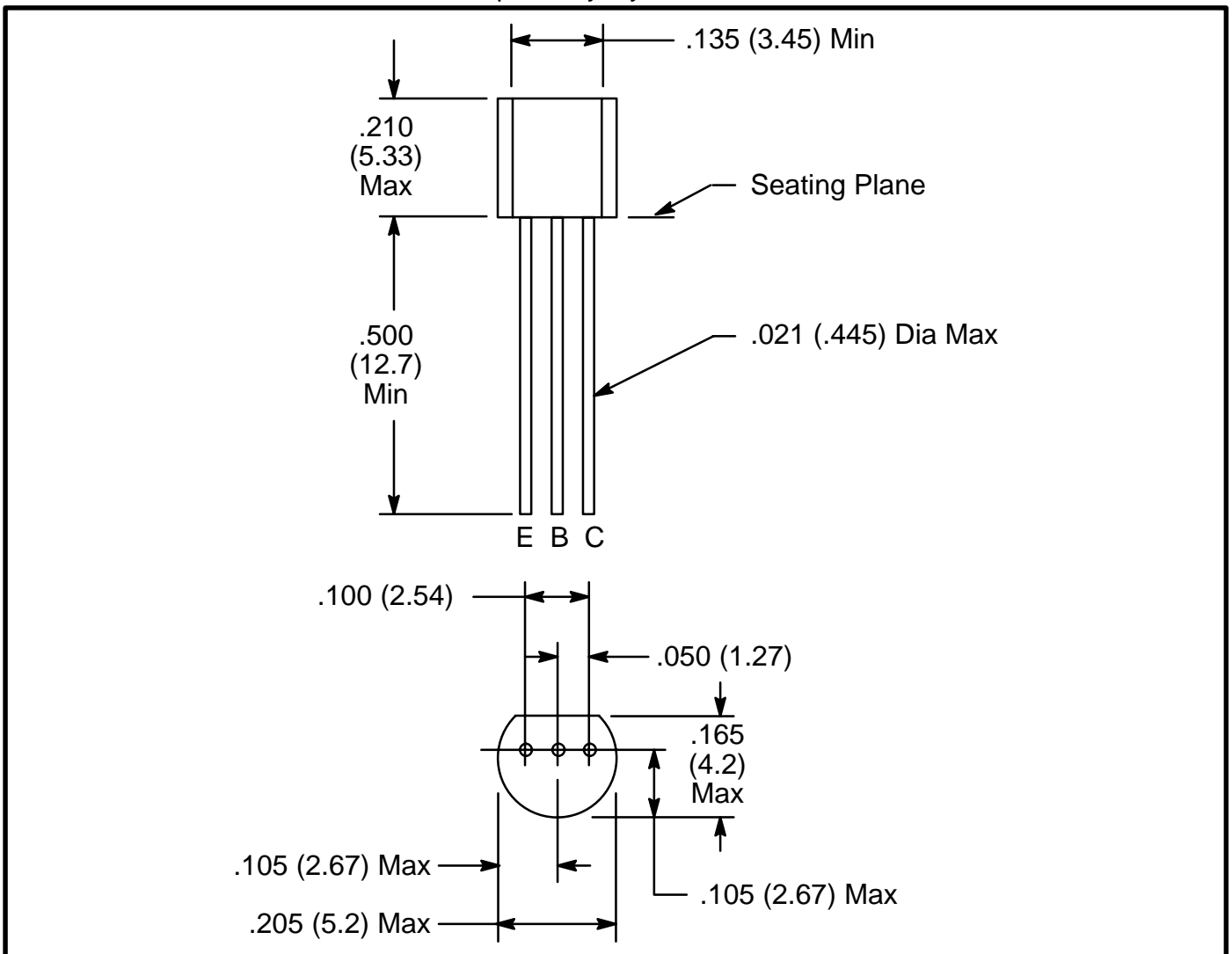
Parameter	Symbol	Test Conditions	Min	Typ	Max	Unit
<b>OFF Characteristics</b>						
Collector–Emitter Breakdown Voltage	$V_{(BR)CEO}$	$I_C = 1\text{mA}$ , $I_B = 0$ , Note 1	300	–	–	V
Collector–Base Breakdown Voltage	$V_{(BR)CBO}$	$I_C = 100\mu\text{A}$ , $I_E = 0$	300	–	–	V
Emitter–Base Breakdown Voltage	$V_{(BR)EBO}$	$I_E = 100\mu\text{A}$ , $I_C = 0$	6	–	–	V
NTE287			5	–	–	V
Collector Cutoff Current	$I_{CBO}$	$V_{CB} = 200\text{V}$ , $I_E = 0$	–	–	0.1	$\mu\text{A}$
NTE287			–	–	0.25	$\mu\text{A}$
Emitter Cutoff Current	$I_{EBO}$	$V_{EB} = 6\text{V}$ , $I_C = 0$	–	–	0.1	$\mu\text{A}$
NTE287			–	–	0.1	$\mu\text{A}$
NTE288		$V_{EB} = 3\text{V}$ , $I_C = 0$	–	–	0.1	$\mu\text{A}$

Note 1. Pulse Test: Pulse Width  $\leq 300\mu\text{s}$ , Duty Cycle  $\leq 2\%$ .

**Electrical Characteristics (Cont'd):** ( $T_A = +25^\circ\text{C}$  unless otherwise specified)

Parameter	Symbol	Test Conditions	Min	Typ	Max	Unit
<b>ON Characteristics (Note 1)</b>						
DC Current Gain NTE287 & NTE288	$h_{FE}$	$I_C = 1\text{mA}, V_{CE} = 10\text{V}$	25	–	–	
		$I_C = 10\text{mA}, V_{CE} = 10\text{V}$	40	–	–	
		$I_C = 30\text{mA}, V_{CE} = 10\text{V}$	40	–	–	
			25	–	–	
Collector–Emitter Saturation Voltage	$V_{CE(sat)}$	$I_C = 20\text{mA}, I_B = 2\text{mA}$	–	–	0.5	V
Base–Emitter Saturation Voltage	$V_{BE(sat)}$	$I_C = 20\text{mA}, I_B = 2\text{mA}$	–	–	0.9	V
<b>Small–Signal Characteristics</b>						
Current Gain – Bandwidth Product	$f_T$	$I_C = 10\text{mA}, V_{CE} = 20\text{V}, f = 100\text{MHz}$	50	–	–	MHz
Collector–Base Capacitance NTE287	$C_{cb}$	$V_{CB} = 20\text{V}, I_E = 0, f = 1\text{MHz}$	–	–	3	pF
			–	–	6	pF

Note 1. Pulse Test: Pulse Width  $\leq 300\mu\text{s}$ , Duty Cycle  $\leq 2\%$ .



## X-ON Electronics

Largest Supplier of Electrical and Electronic Components

*Click to view similar products for [Bipolar Transistors - BJT category](#):*

*Click to view products by [NTE manufacturer](#):*

Other Similar products are found below :

[619691C](#) [MCH4017-TL-H](#) [MJ15024/WS](#) [MJ15025/WS](#) [BC546/116](#) [BC556/FSC](#) [BC557/116](#) [BSW67A](#) [HN7G01FU-A\(T5L,F,T](#)  
[NJVMJD148T4G](#) [NSVMMBT6520LT1G](#) [NTE187A](#) [NTE195A](#) [NTE2302](#) [NTE2330](#) [NTE2353](#) [NTE316](#) [IMX9T110](#) [NTE63](#) [NTE65](#)  
[C4460](#) [SBC846BLT3G](#) [2SA1419T-TD-H](#) [2SA1721-O\(TE85L,F\)](#) [2SA1727TLP](#) [2SA2126-E](#) [2SB1202T-TL-E](#) [2SB1204S-TL-E](#) [2SC5488A-](#)  
[TL-H](#) [2SD2150T100R](#) [SP000011176](#) [FMC5AT148](#) [2N2369ADCSM](#) [2SB1202S-TL-E](#) [2SC2412KT146S](#) [2SC4618TLN](#) [2SC5490A-TL-H](#)  
[2SD1816S-TL-E](#) [2SD1816T-TL-E](#) [CMXT2207 TR](#) [CPH6501-TL-E](#) [MCH4021-TL-E](#) [BC557B](#) [TTC012\(Q\)](#) [BULD128DT4](#) [JANTX2N3810](#)  
[Jantx2N5416](#) [US6T6TR](#) [KSF350](#) [068071B](#)