



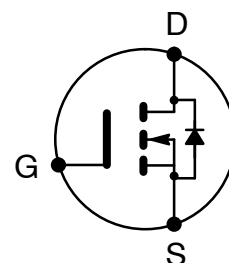
ELECTRONICS, INC.
 44 FARRAND STREET
 BLOOMFIELD, NJ 07003
 (973) 748-5089
<http://www.nteinc.com>



NTE2906 MOSFET N-Channel, Enhancement Mode High Speed Switch (Compl to NTE2998) TO3 Type Package

Features:

- High Speed Switching
- High Voltage
- High Energy Rating
- Enhancement Mode
- Integral Protection Diode



Absolute Maximum Ratings: ($T_C = +25^\circ\text{C}$ unless otherwise specified)

Drain-Source Voltage, V_{DSX}	200V
Gate-Source Voltage, V_{GSS}	$\pm 14\text{V}$
Continuous Drain Current, I_D	8A
Body Drain Diode, $I_{D(PK)}$	8A
Total Power Dissipation ($T_C = +25^\circ\text{C}$), P_D	125W
Maximum Operating Junction Temperature, T_J	$+150^\circ\text{C}$
Storage Temperature Range, T_{stg}	-55° to $+150^\circ\text{C}$
Thermal Resistance, Junction-to-Case, R_{thJC}	1.0°C/W

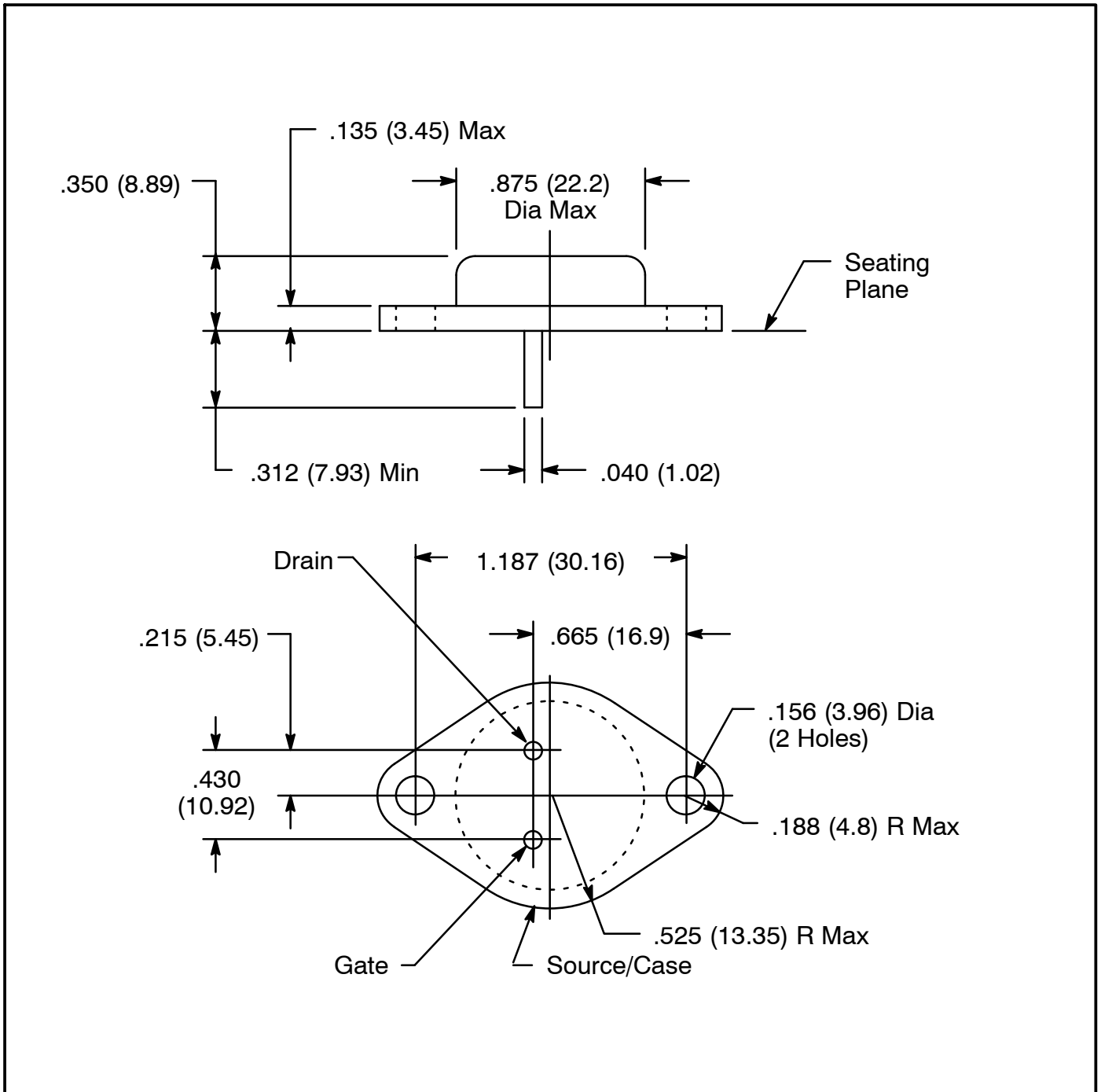
Electrical Characteristics: ($T_C = +25^\circ\text{C}$ unless otherwise specified)

Parameter	Symbol	Test Conditions	Min	Typ	Max	Unit
Static Characteristics						
Drain-Source Breakdown Voltage	BV_{DSX}	$V_{GS} = -10\text{V}, I_D = 10\text{mA}$	200	-	-	V
Gate-Source Breakdown Voltage	BV_{GSS}	$V_{DS} = 0, I_G = \pm 100\mu\text{A}$	± 14	-	-	V
Gate-Source Cut-Off Voltage	$V_{GS(OFF)}$	$V_{DS} = 10\text{V}, I_D = 100\text{mA}$	0.15	-	1.5	V
Drain-Source Saturation Voltage	$V_{DS(SAT)}$	$V_{GD} = 0, I_D = 8\text{A}, \text{Note 1}$	-	-	12	V
Drain-Source Cut-Off Current	I_{DSX}	$V_{GS} = -10\text{V}, V_{DS} = 200\text{V}$	-	-	10	mA
Forward Transfer Admittance	y_{fs}	$V_{DS} = 10\text{V}, I_D = 3\text{A}, \text{Note 1}$	0.7	-	2.0	S

Note 1. Pulse Test: Pulse Width = $300\pm s$, Duty Cycle $\leq 2\%$.

Electrical Characteristics (Cont'd): ($T_C = +25^\circ\text{C}$ unless otherwise specified)

Parameter	Symbol	Test Conditions	Min	Typ	Max	Unit
Dynamic Characteristics						
Input Capacitance	C_{iss}	$V_{DS} = 10\text{V}, f = 1\text{MHz}$	-	500	-	pF
Output Capacitance	C_{oss}		-	300	-	pF
Reverse Transfer Capacitance	C_{rss}		-	10	-	pF
Turn-On Time	t_{on}	$V_{DS} = 20\text{V}, I_D = 5\text{A}$	-	100	-	ns
Turn-Off Time	t_{off}		-	50	-	ns



X-ON Electronics

Largest Supplier of Electrical and Electronic Components

Click to view similar products for [MOSFET](#) category:

Click to view products by [NTE](#) manufacturer:

Other Similar products are found below :

[614233C](#) [648584F](#) [MCH3443-TL-E](#) [MCH6422-TL-E](#) [FDPF9N50NZ](#) [FW216A-TL-2W](#) [FW231A-TL-E](#) [APT5010JVR](#) [NTNS3A92PZT5G](#)
[IRF100S201](#) [JANTX2N5237](#) [2SK2464-TL-E](#) [2SK3818-DL-E](#) [FCA20N60_F109](#) [FDZ595PZ](#) [STD6600NT4G](#) [FSS804-TL-E](#) [2SJ277-DL-E](#)
[2SK1691-DL-E](#) [2SK2545\(Q,T\)](#) [405094E](#) [423220D](#) [MCH6646-TL-E](#) [TPCC8103,L1Q\(CM](#) [367-8430-0972-503](#) [VN1206L](#) [424134F](#)
[026935X](#) [051075F](#) [SBVS138LT1G](#) [614234A](#) [715780A](#) [NTNS3166NZT5G](#) [751625C](#) [873612G](#) [IRF7380TRHR](#) [IPS70R2K0CEAKMA1](#)
[RJK60S3DPP-E0#T2](#) [RJK60S5DPK-M0#T0](#) [APT5010JVFR](#) [APT12031JFLL](#) [APT12040JVR](#) [DMN3404LQ-7](#) [NTE6400](#) [JANTX2N6796U](#)
[JANTX2N6784U](#) [JANTXV2N5416U4](#) [SQM110N05-06L-GE3](#) [SIHF35N60E-GE3](#) [2SK2614\(TE16L1,Q\)](#)