



**ELECTRONICS, INC.**  
 44 FARRAND STREET  
 BLOOMFIELD, NJ 07003  
 (973) 748-5089

## NTE289A (NPN) & NTE290A (PNP) Silicon Complementary Transistors Audio Power Amplifier

### Features:

- High Breakdown Voltage:  $V_{(BR)CEO} = 80V$  Min
- High Current:  $I_C = 500mA$
- Low Saturation Voltage

### Absolute Maximum Ratings: ( $T_A = +25^\circ C$ unless otherwise specified)

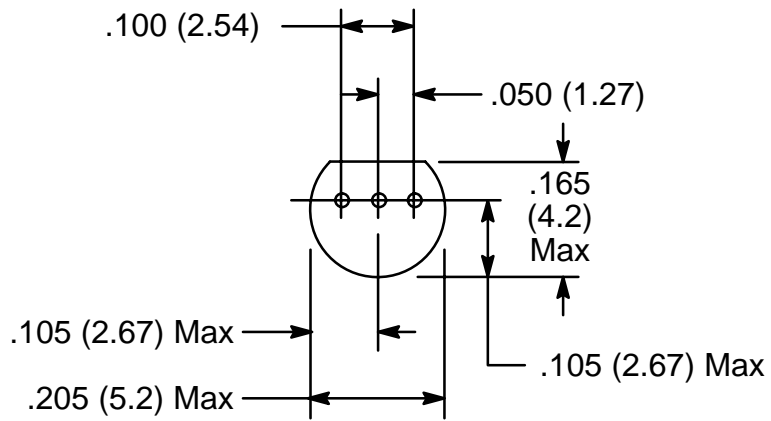
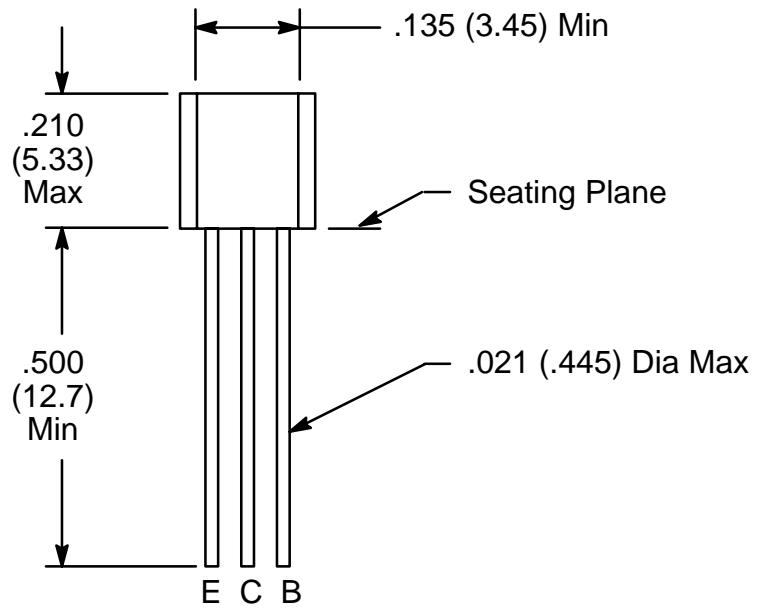
Collector–Base Voltage, $V_{CBO}$ .....	100V
Collector–Emitter Voltage, $V_{CEO}$ .....	80V
Emitter–Base Voltage, $V_{EBO}$ .....	5V
Collector Current, $I_C$	
Continuous .....	500mA
Peak .....	800mA
Collector Dissipation, $P_C$ .....	600mW
Operating Junction Temperature, $T_J$ .....	+150°C
Storage Temperature Range, $T_{stg}$ .....	–55° to +150°C

### Electrical Characteristics: ( $T_A = +25^\circ C$ unless otherwise specified)

Parameter	Symbol	Test Conditions	Min	Typ	Max	Unit
Collector–Base Breakdown Voltage	$V_{(BR)CBO}$	$I_C = 10\mu A, I_E = 0$	100	–	–	V
Collector–Emitter Breakdown Voltage	$V_{(BR)CEO}$	$I_C = 1mA, R_{BE} = \text{Open}$	80	–	–	V
Emitter–Base Breakdown Voltage	$V_{(BR)EBO}$	$I_E = 10\mu A, I_C = 0$	5	–	–	V
Collector Cutoff Current	$I_{CBO}$	$V_{CB} = 40V, I_E = 0$	–	–	1.0	$\mu A$
Emitter Cutoff Current	$I_{EBO}$	$V_{EB} = 4V, I_C = 0$	–	–	1.0	$\mu A$
DC Current Gain	$h_{FE(1)}$	$V_{CE} = 5V, I_C = 50mA$	100	–	200	
	$h_{FE(2)}$	$V_{CE} = 5V, I_C = 400mA$ (Pulse)	35	–	–	
Collector–Emitter Saturation Voltage	$V_{CE(sat)}$	$I_C = 400mA, I_B = 40mA$	–	0.2	0.6	V
NTE289A			–	0.25	0.60	V
NTE290A						
Current–Gain Bandwidth Product	$f_T$	$V_{CE} = 10V, I_C = 10mA$	–	120	–	MHz
Output Capacitance	$C_{ob}$	$V_{CB} = 10V, f = 1MHz$	–	5	–	pF
NTE289A			–	9	–	pF
NTE290A						

Note 1. NTE289AMP is a matched pair of NTE289A with their DC Current Gain ( $h_{FE}$ ) matched to within 10% of each other.

Note 2. NTE290AMCP is a matched complementary pair containing 1 each of NTE289A (NPN) and NTE290A (PNP).



## X-ON Electronics

Largest Supplier of Electrical and Electronic Components

*Click to view similar products for [Bipolar Transistors - BJT category](#):*

*Click to view products by [NTE manufacturer](#):*

Other Similar products are found below :

[619691C](#) [MCH4017-TL-H](#) [MJ15024/WS](#) [MJ15025/WS](#) [BC546/116](#) [BC556/FSC](#) [BC557/116](#) [BSW67A](#) [HN7G01FU-A\(T5L,F,T](#)  
[NJVMJD148T4G](#) [NSVMMBT6520LT1G](#) [NTE187A](#) [NTE195A](#) [NTE2302](#) [NTE2330](#) [NTE2353](#) [NTE316](#) [IMX9T110](#) [NTE63](#) [NTE65](#)  
[C4460](#) [SBC846BLT3G](#) [2SA1419T-TD-H](#) [2SA1721-O\(TE85L,F\)](#) [2SA1727TLP](#) [2SA2126-E](#) [2SB1202T-TL-E](#) [2SB1204S-TL-E](#) [2SC5488A-](#)  
[TL-H](#) [2SD2150T100R](#) [SP000011176](#) [FMC5AT148](#) [2N2369ADCSM](#) [2SB1202S-TL-E](#) [2SC2412KT146S](#) [2SC4618TLN](#) [2SC5490A-TL-H](#)  
[2SD1816S-TL-E](#) [2SD1816T-TL-E](#) [CMXT2207 TR](#) [CPH6501-TL-E](#) [MCH4021-TL-E](#) [BC557B](#) [TTC012\(Q\)](#) [BULD128DT4](#) [JANTX2N3810](#)  
[Jantx2N5416](#) [US6T6TR](#) [KSF350](#) [068071B](#)