



ELECTRONICS, INC.
 44 FARRAND STREET
 BLOOMFIELD, NJ 07003
 (973) 748-5089

NTE289A (NPN) & NTE290A (PNP) Silicon Complementary Transistors Audio Power Amplifier

Features:

- High Breakdown Voltage: $V_{(BR)CEO} = 80V$ Min
- High Current: $I_C = 500mA$
- Low Saturation Voltage

Absolute Maximum Ratings: ($T_A = +25^\circ C$ unless otherwise specified)

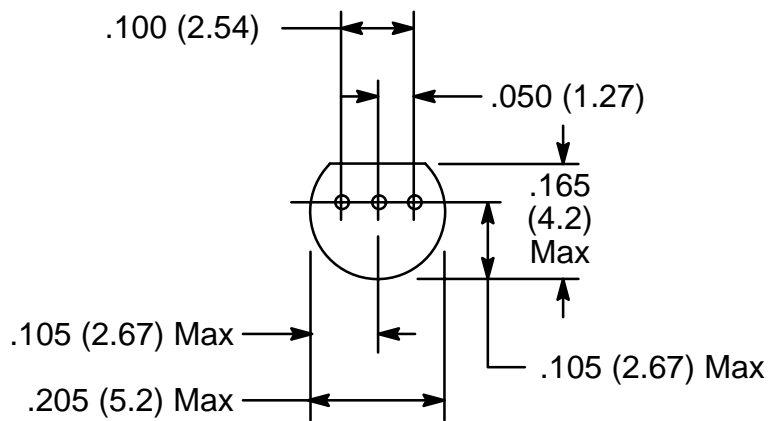
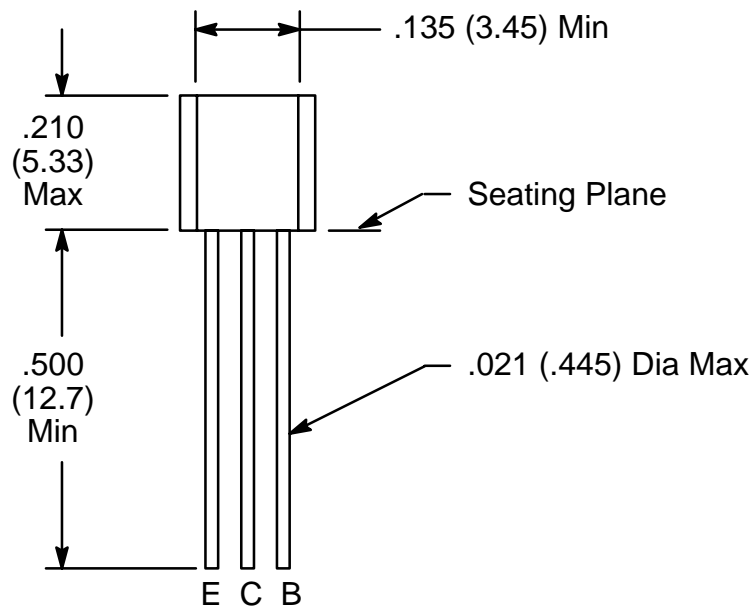
Collector–Base Voltage, V_{CBO}	100V
Collector–Emitter Voltage, V_{CEO}	80V
Emitter–Base Voltage, V_{EBO}	5V
Collector Current, I_C	
Continuous	500mA
Peak	800mA
Collector Dissipation, P_C	600mW
Operating Junction Temperature, T_J	+150°C
Storage Temperature Range, T_{stg}	–55° to +150°C

Electrical Characteristics: ($T_A = +25^\circ C$ unless otherwise specified)

Parameter	Symbol	Test Conditions	Min	Typ	Max	Unit
Collector–Base Breakdown Voltage	$V_{(BR)CBO}$	$I_C = 10\mu A, I_E = 0$	100	–	–	V
Collector–Emitter Breakdown Voltage	$V_{(BR)CEO}$	$I_C = 1mA, R_{BE} = \text{Open}$	80	–	–	V
Emitter–Base Breakdown Voltage	$V_{(BR)EBO}$	$I_E = 10\mu A, I_C = 0$	5	–	–	V
Collector Cutoff Current	I_{CBO}	$V_{CB} = 40V, I_E = 0$	–	–	1.0	μA
Emitter Cutoff Current	I_{EBO}	$V_{EB} = 4V, I_C = 0$	–	–	1.0	μA
DC Current Gain	$h_{FE(1)}$	$V_{CE} = 5V, I_C = 50mA$	100	–	200	
	$h_{FE(2)}$	$V_{CE} = 5V, I_C = 400mA$ (Pulse)	35	–	–	
Collector–Emitter Saturation Voltage NTE289A	$V_{CE(sat)}$	$I_C = 400mA, I_B = 40mA$	–	0.2	0.6	V
NTE290A			–	0.25	0.60	V
Current–Gain Bandwidth Product	f_T	$V_{CE} = 10V, I_C = 10mA$	–	120	–	MHz
Output Capacitance NTE289A	C_{ob}	$V_{CB} = 10V, f = 1MHz$	–	5	–	pF
NTE290A			–	9	–	pF

Note 1. NTE289AMP is a matched pair of NTE289A with their DC Current Gain (h_{FE}) matched to within 10% of each other.

Note 2. NTE290AMCP is a matched complementary pair containing 1 each of NTE289A (NPN) and NTE290A (PNP).



X-ON Electronics

Largest Supplier of Electrical and Electronic Components

Click to view similar products for [Bipolar Transistors - BJT category](#):

Click to view products by [NTE manufacturer](#):

Other Similar products are found below :

[619691C](#) [MCH4017-TL-H](#) [BC546/116](#) [BC557/116](#) [BSW67A](#) [NTE158](#) [NTE187A](#) [NTE195A](#) [NTE2302](#) [NTE2330](#) [NTE63](#) [C4460](#)
[2SA1419T-TD-H](#) [2SA1721-O\(TE85L,F\)](#) [2SA2126-E](#) [2SB1204S-TL-E](#) [2SC5488A-TL-H](#) [2SD2150T100R](#) [SP000011176](#) [2N2369ADCSM](#)
[2N5769](#) [2SC2412KT146S](#) [2SC5490A-TL-H](#) [2SD1816S-TL-E](#) [2SD1816T-TL-E](#) [CMXT2207 TR](#) [CPH6501-TL-E](#) [MCH4021-TL-E](#)
[US6T6TR](#) [NJL0281DG](#) [732314D](#) [CMXT3906 TR](#) [CPH3121-TL-E](#) [CPH6021-TL-H](#) [873787E](#) [IMZ2AT108](#) [UMX21NTR](#) [MCH6102-TL-E](#)
[NJL0302DG](#) [TTA1452B,S4X\(S](#) [2N3583](#) [NTE103](#) [30A02MH-TL-E](#) [NSV40301MZ4T1G](#) [NTE101](#) [NTE13](#) [NTE15](#) [NTE16001](#) [NTE16006](#)
[NTE26](#)