



ELECTRONICS, INC.
 44 FARRAND STREET
 BLOOMFIELD, NJ 07003
 (973) 748-5089
<http://www.nteinc.com>

NTE30037 thru NTE30043, NTE30045 Super Bright LED Indicators, 5mm

Features:

- All Plastic Mold Type w/Water Clear Lens:
 - NTE30037 (Yellow Green, AlGaP/GaAs)
 - NTE30038 (Pure Green, GaInN/GaN)
 - NTE30039 (Yellow, AlInGaP/GaP)
 - NTE30040 (Orange, AlInGaP/GaAs)
 - NTE30041 (Deep Red, GaAlAs/GaAlAs)
 - NTE30042 (Amber, AlGaP/GaAs)
 - NTE30043 (Blue, GaInN/GaN)
 - NTE30045 (White, GaInN/GaN)

Absolute Maximum Ratings: ($T_A = +25^\circ\text{C}$ unless otherwise specified)

Reverse Voltage, V_R	
All devices	5V
Continuous Forward Current, I_F	
NTE30037, NTE30038, NTE30039, NTE30040, NTE30041, NTE30042	25mA
NTE30043, NTE30045	30mA
Peak Forward Current (1.10 Duty Cycle, 0.1ms Pulse Width), I_{FM}	
NTE30037, NTE30040, NTE30042	50mA
NTE30039, NTE30041, NTE30043, NTE30045	100mA
NTE30038	150mA
Power Dissipation, P_D	
NTE30037, NTE30040, NTE30042	100mW
NTE30041	110mW
NTE30038, NTE30043, NTE30045	120mW
NTE30039	150mW
Operating Temperature Range, T_{opr}	-25°C to $+85^\circ\text{C}$
NTE30038 Only	-40°C to $+100^\circ\text{C}$
NTE30039 Only	-20°C to $+80^\circ\text{C}$
Storage Temperature Range, T_{stg}	
NTE30038 Only	-40°C to $+100^\circ\text{C}$
NTE30039 Only	-30°C to $+100^\circ\text{C}$
All other devices	-25°C to $+100^\circ\text{C}$
Lead Temperature (During Soldering, .063 (1.6mm) from body, 5sec max), T_L	$+260^\circ\text{C}$

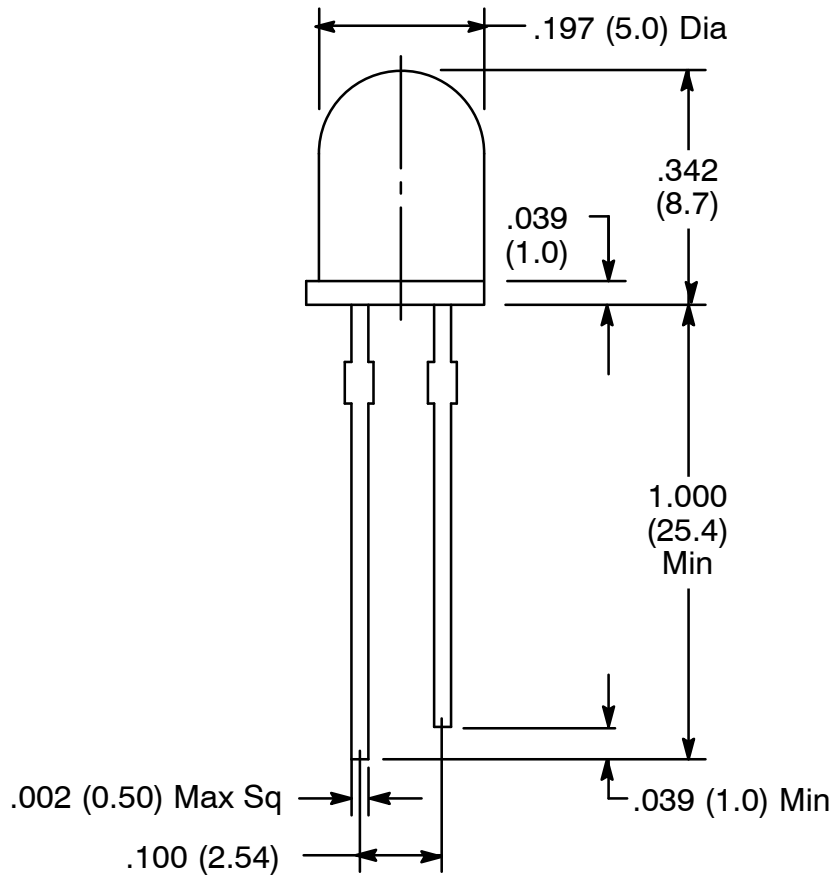
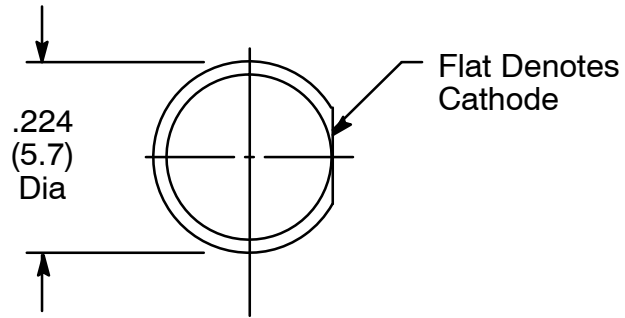
Rev. 8-20



Electro-Optical Characteristics (Cont'd): ($T_A = +25^\circ\text{C}$ unless otherwise specified)

Parameter	Symbol	Test Conditions	Min	Typ	Max	Unit
Forward Voltage NTE30037	V_F	$I_F = 20\text{mA}$	-	2.2	2.4	V
NTE30038			3.0	3.3	3.6	V
NTE30039			2.0	-	2.2	V
NTE30040			-	2.0	2.6	V
NTE30041			1.8	2.0	2.2	V
NTE30042			-	2.0	2.4	V
NTE30043			-	3.5	4.0	V
NTE30045			-	3.6	4.0	V
Reverse Current All Devices (Except NTE30039)	I_R	$V_R = 5\text{V}$	-	-	10	μA
NTE30038			-	-	100	μA
NTE30043, NTE30045 Only		$V_R = 4\text{V}$			60	μA
Luminous Intensity NTE30037	I_V	$I_F = 20\text{mA}$, Note 1	-	2500	-	mcd
NTE30038			-	11000	-	mcd
NTE30039			10000	-	12000	mcd
NTE30040			-	2400	-	mcd
NTE30041			8000	-	10000	mcd
NTE30042			-	5500	-	mcd
NTE30043			-	3500	-	mcd
NTE30045			-	16000	-	mcd
Peak Emission Wave Length NTE30037	λ_p	$I_F = 20\text{mA}$	-	575	-	nm
NTE30038			-	523	-	nm
NTE30039			590	593	595	nm
NTE30040			-	620	-	nm
NTE30041			660	-	665	nm
NTE30042			-	607	-	nm
NTE30043			-	465	-	nm
NTE30045		CIE Coordinates, Typ	X: 0.30; Y: 0.31			
Viewing Angle All Devices	$2\theta^{1/2}$	$I_F = 20\text{mA}$	-	12	-	deg.
NTE30038 Only			-	15	-	deg.
NTE30040 Only			-	40	-	deg.
NTE30039, NTE30041			-	30	-	deg.
NTE30045 Only			-	22	-	deg.
Terminal Capacitance (NTE30040 Only)	C_t	$V = 0\text{V}$, $f = 1\text{MHz}$	-	15	-	pF
Response Frequency (NTE30040 Only)	F_c		-	4	-	MHz

Note 1. Luminous intensity is measured with an Exeltron 2001.



X-ON Electronics

Largest Supplier of Electrical and Electronic Components

Click to view similar products for [Standard LEDs - Through Hole category](#):

Click to view products by [NTE manufacturer](#):

Other Similar products are found below :

[LTL-10234W](#) [LTL-10254W](#) [LTL-1214A](#) [LTL-2231AT](#) [LTL-3251A](#) [LTL-4262N](#) [LTL-433P](#) [LTL-5234](#) [LTL87HTBK](#) [LTW-87HD4B](#)
[HLMP-3507-D00B1](#) [HLMP-EL30-PS0DD](#) [1L0532V23G0TD001](#) [NSPW500CS](#) [NTE30036](#) [NTE30044](#) [NTE30059](#) [LD CQDP-1U3U-W5-1-K](#) [LO566UHR3-70G-A3](#) [LP379PPG1C0G0300001](#) [SLX-LX3044GD](#) [SLX-LX3044ID](#) [SLX-LX3044YD](#) [1.90690.3330000](#) [SSS-LX4673ID-410B](#) [1L0532Y24I0TD001](#) [264-7SYGD/S530-E2](#) [HLMP1385](#) [LTL-10224W](#) [LTL-1224A](#) [LTL-1234A](#) [LTL-1BEHJ-012](#) [LTL-2251AT](#) [LTL-307YE-012](#) [LTL-403HR](#) [LTL-4222](#) [LU7-E-B](#) [4380H1](#) [TLHY44K1L2](#) [HLMP-3962-F0002](#) [HLMP-GG15-R0000](#) [323-2SURD/S530-A3](#)
[L53SRC/E-Z](#) [L-7679C1ZGC](#) [4302T1-5V](#) [4306D23](#) [4363D1/5](#) [WP1503SRC/J4](#) [WP153GDT](#) [WP153YDT](#)