



ELECTRONICS, INC.
 44 FARRAND STREET
 BLOOMFIELD, NJ 07003
 (973) 748-5089
<http://www.nteinc.com>

NTE30030 thru NTE30036, NTE30044 Super Bright LED Indicators, 3mm

Features:

- All Plastic Mold Type w/Water Clear Lens:
 - NTE30030 (Yellow Green, AlGaP/GaAs)
 - NTE30031 (Pure Green, GaInN/GaN)
 - NTE30032 (Yellow, AlInGaP/GaAs)
 - NTE30033 (Orange, AlInGaP/GaAs)
 - NTE30034 (Deep Red, GaAlAs/GaAlAs)
 - NTE30035 (Amber, AlGaP/GaAs)
 - NTE30036 (Blue, GaInN/GaN)
 - NTE30044 (White, GaInN/GaN)

Absolute Maximum Ratings: ($T_A = +25^\circ\text{C}$ unless otherwise specified)

| | |
|--|---|
| Reverse Voltage, V_R | 5V |
| Continuous Forward Current, I_F | |
| NTE30030, NTE30032, NTE30033, NTE30034, NTE30035 | 25mA |
| NTE30031, NTE30036, NTE30044 | 30mA |
| Peak Forward Current (1.10 Duty Cycle, 0.1ms Pulse Width), I_{FM} | |
| NTE30030, NTE30032, NTE30033, NTE30035 | 50mA |
| NTE30031, NTE30034, NTE30036, NTE30044 | 100mA |
| Power Dissipation, P_D | |
| NTE30030, NTE30032, NTE30033, NTE30034, NTE30035 | 100mW |
| NTE30031, NTE30036, NTE30044 | 120mW |
| Operating Temperature Range, T_{opr} | -25°C to $+85^\circ\text{C}$ |
| NTE30034 Only | -20°C to $+80^\circ\text{C}$ |
| NTE30036 Only | -40°C to $+85^\circ\text{C}$ |
| Storage Temperature Range, T_{stg} | -40°C to $+100^\circ\text{C}$ |
| NTE30034 Only | -30°C to $+100^\circ\text{C}$ |
| Lead Temperature (During Soldering, .063 (1.6mm) from body, 5sec max), T_L | $+240^\circ\text{C}$ |
| NTE30034 Only | $+260^\circ\text{C}$ |

Electro-Optical Characteristics: ($T_A = +25^\circ\text{C}$ unless otherwise specified)

| Parameter | Symbol | Test Conditions | Min | Typ | Max | Unit |
|--------------------|--------|---------------------|-----|-----|-----|------|
| Forward Voltage | V_F | $I_F = 20\text{mA}$ | | | | |
| NTE30030 | | | - | 2.2 | 2.4 | V |
| NTE30031 | | | - | 3.5 | 4.0 | V |
| NTE30032, NTE30035 | | | - | 2.0 | 2.4 | V |
| NTE30033 | | | - | 2.0 | 2.6 | V |
| NTE30034 | | | 2.0 | - | 2.2 | V |
| NTE30036 | | | 2.7 | 3.3 | 4.0 | V |
| NTE30044 | | | 3.0 | 3.3 | 4.0 | V |

Rev. 7-19



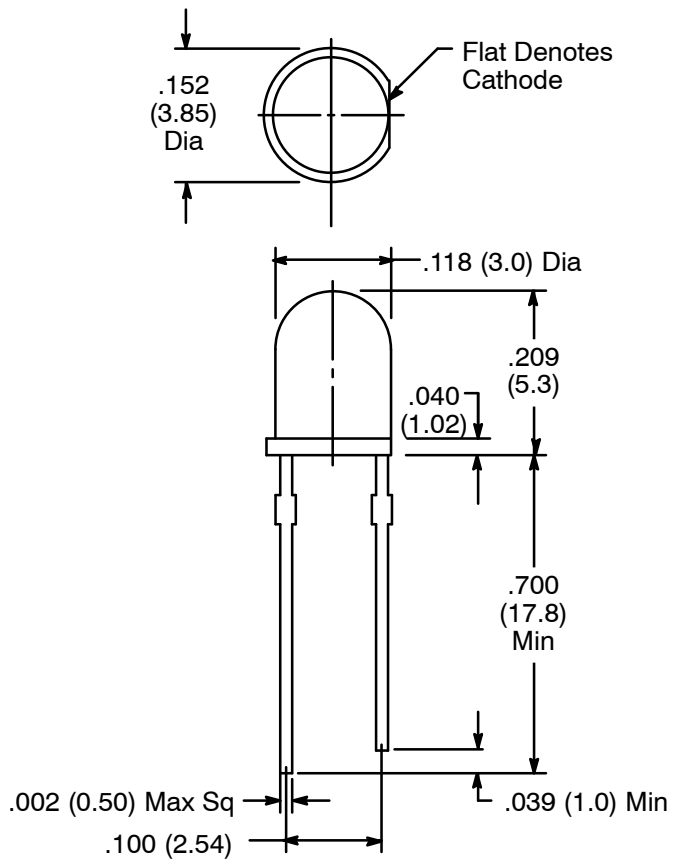
Electro-Optical Characteristics (Cont'd): ($T_A = +25^\circ\text{C}$ unless otherwise specified)

| Parameter | Symbol | Test Conditions | Min | Typ | Max | Unit |
|--|-------------------------|------------------------------|------------------|------|------|---------------|
| Reverse Current All Devices | I_R | $V_R = 5V$ | - | - | 10 | μA |
| NTE30031, NTE30036 | | $V_R = 4V$ | - | - | 60 | μA |
| NTE30044 Only | | $V_R = 5V$ | - | - | 50 | μA |
| Luminous Intensity NTE30030 | I_V | $I_F = 20\text{mA}$, Note 1 | - | 1600 | - | mcd |
| NTE30031 | | | - | 5000 | - | mcd |
| NTE30032, NTE30033, NTE30035 | | | - | 2500 | - | mcd |
| NTE30034 | | | 1500 | - | 2500 | mcd |
| NTE30036 | | | 2000 | 3000 | - | mcd |
| NTE30044 | | | 6000 | 7000 | - | mcd |
| Peak Emission Wave Length NTE30030 | λ_P | $I_F = 20\text{mA}$ | - | 575 | - | nm |
| NTE30031 | | | - | 523 | - | nm |
| NTE30032 | | | - | 592 | - | nm |
| NTE30033 | | | - | 620 | - | nm |
| NTE30034 | | | 655 | 660 | 665 | nm |
| NTE30035 | | | - | 607 | - | nm |
| NTE30036 | | | - | 468 | - | nm |
| NTE30044 | | CIE Coordinates, Typ | X: 0.28; Y: 0.30 | | | |
| Dominate Wave Length (NTE30036 Only) | $\lambda_d(\text{HUE})$ | $I_F = 20\text{mA}$, Note 2 | 465 | 470 | 475 | nm |
| Spectral Line Half Width NTE30030, NTE30033, NTE30035 | $\Delta\lambda$ | $I_F = 20\text{mA}$ | - | 20 | - | nm |
| NTE30031 | | | - | 45 | - | nm |
| NTE30032 | | | - | 25 | - | nm |
| NTE30036 | | | - | 20 | - | nm |
| NTE30044 | | | - | 22 | - | nm |
| Viewing Angle NTE30030, NTE30031 | $2\theta^{1/2}$ | $I_F = 20\text{mA}$ | - | 14 | - | deg. |
| NTE30032, NTE30033, NTE30035 | | | - | 10 | - | deg. |
| NTE30034 | | | - | 30 | - | deg. |
| NTE30036 | | | - | 10 | - | deg. |
| NTE30044 | | | - | 30 | - | deg. |
| Optic Rise Time (NTE30036 Only) | τ | $I_F = 20\text{mA}$ | - | 30 | - | ns |

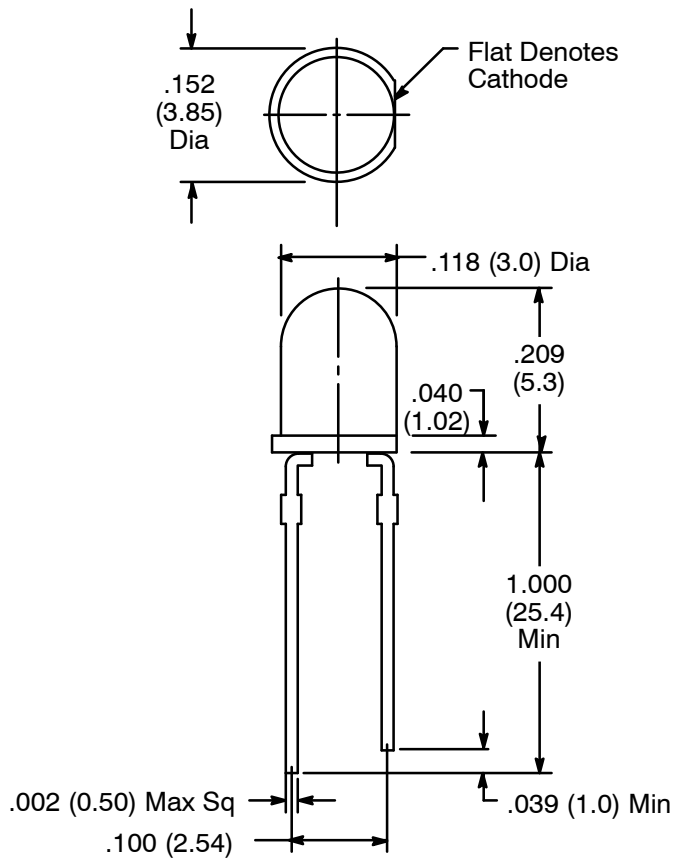
Note 1. Luminous intensity is measured with an Exeltron 2001.

Note 2. The dominate wavelength, λ_d , is derived from the CIE Chromaticity Diagram and represents the color of the device.

NTE30030 thru NTE30036



NTE30044, NTE30036



X-ON Electronics

Largest Supplier of Electrical and Electronic Components

Click to view similar products for [Standard LEDs - Through Hole category](#):

Click to view products by [NTE manufacturer](#):

Other Similar products are found below :

[LTL-10234W](#) [LTL-10254W](#) [LTL-1214A](#) [LTL-2231AT](#) [LTL-3251A](#) [LTL-4262N](#) [LTL-433P](#) [LTL-5234](#) [LTL87HTBK](#) [LTW-87HD4B](#)
[HLMP-3507-D00B1](#) [HLMP-EL30-PS0DD](#) [1L0532V23G0TD001](#) [NSPW500CS](#) [NTE30036](#) [NTE30044](#) [NTE30059](#) [LD CQDP-1U3U-W5-1-K](#) [LO566UHR3-70G-A3](#) [LP379PPG1C0G0300001](#) [SLX-LX3044GD](#) [SLX-LX3044ID](#) [SLX-LX3044YD](#) [1.90690.3330000](#) [SSS-LX4673ID-410B](#) [1L0532Y24I0TD001](#) [264-7SYGD/S530-E2](#) [HLMP1385](#) [LTL-10224W](#) [LTL-1224A](#) [LTL-1234A](#) [LTL-1BEHJ-012](#) [LTL-2251AT](#) [LTL-307YE-012](#) [LTL-403HR](#) [LTL-4222](#) [LU7-E-B](#) [4380H1](#) [TLHY44K1L2](#) [HLMP-3962-F0002](#) [HLMP-GG15-R0000](#) [323-2SURD/S530-A3](#)
[L53SRC/E-Z](#) [L-7679C1ZGC](#) [4302T1-5V](#) [4306D23](#) [4363D1/5](#) [WP1503SRC/J4](#) [WP153GDT](#) [WP153YDT](#)