



ELECTRONICS, INC.
 44 FARRAND STREET
 BLOOMFIELD, NJ 07003
 (973) 748-5089
<http://www.nteinc.com>

NTE30046 Infrared Emitting Diode – 3mm

Absolute Maximum Ratings: ($T_A = +25^\circ\text{C}$ unless otherwise specified)

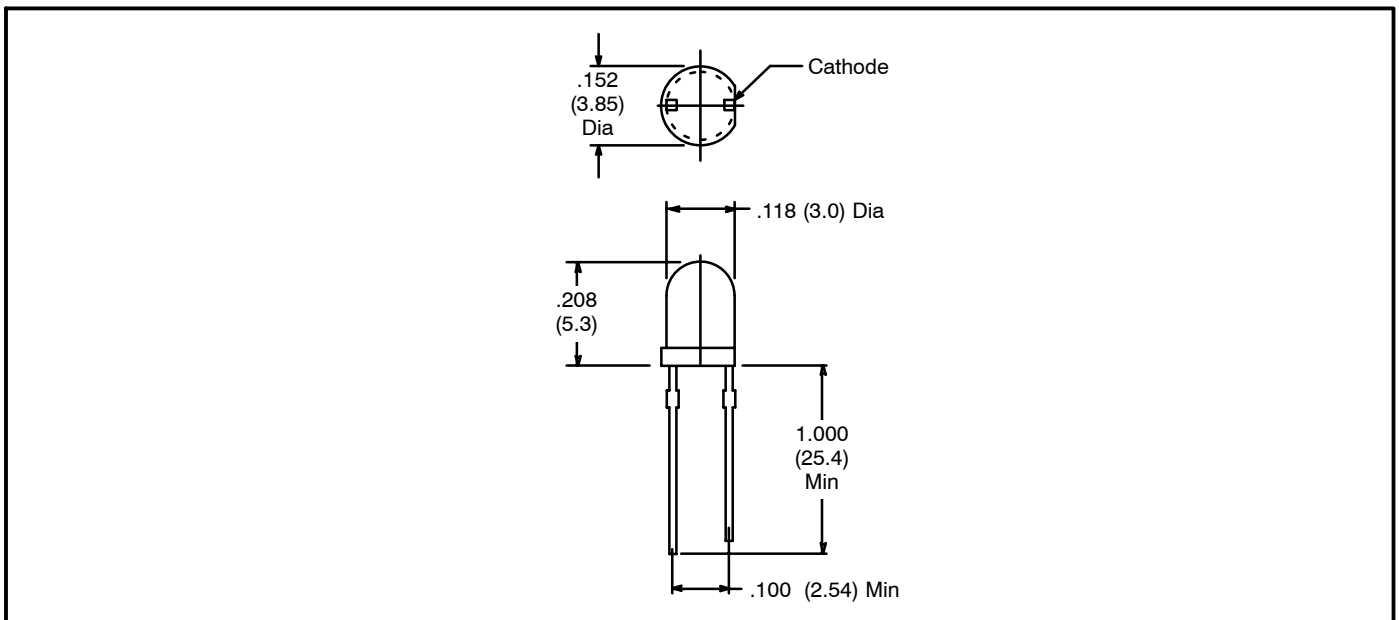
Power Dissipation, P_D	135mW
Forward Current, I_F	
Continuous	80mA
Peak (Note 1)	1A
Reverse Voltage, V_R	5V
LED Junction Temperature, T_J	+100°C
Operating Temperature Range, T_{opr}	-25° to +85°C
Storage Temperature Range, T_{stg}	-40° to +100°C
Lead Temperature (During Soldering, .062 (1.6mm) from case, 5sec max), T_L	+240°C

Note 1. Duty Ratio = 0.1%, Pulse Width = 10µs

Electrical Characteristics: ($T_A = +25^\circ\text{C}$ unless otherwise specified)

Parameter	Symbol	Test Conditions	Min	Typ	Max	Unit
Viewing Angle of Half Power	$2\theta_{1/2}$	$I_F = 50\text{mA}$	-	30	-	degree
Forward Voltage	V_F	$I_F = 50\text{ mA}$	-	1.28	1.50	V
Reverse Current	I_R	$V_R = 5.0\text{V}$	-	-	10	uA
Radiant Output Power	P_O	$I_F = 50\text{ mA}$ (Note 2)	15	30	-	mw/sr
Peak Emission Wavelength	λ_p	$I_F = 50\text{ mA}$	-	940	-	nm
Spectrum Width of Half Valve	$\Delta\lambda$	$I_F = 50\text{ mA}$	-	50	-	nm
Terminal Capacitance	C_t	$V = 0, F = 1\text{MHz}$	-	40	-	pF

Note 2. Tolerance: 30%, measured using Exeltron 2001.



X-ON Electronics

Largest Supplier of Electrical and Electronic Components

Click to view similar products for [NTE manufacturer](#):

Other Similar products are found below :

[02-LDR1](#) [02-LDR12](#) [02-LDR13](#) [02-LDR14](#) [02-LDR15](#) [02-LDR2](#) [02-LDR20](#) [02-LDR21](#) [02-LDR22](#) [02-LDR23](#) [02-LDR3](#) [02-LDR4](#) [02-N101-1](#) [02-N103-1](#) [04-04180](#) [04-06100SS](#) [04-ACC10](#) [04-ACC20](#) [04-ACC30](#) [04-ACC40](#) [04-CCL3129](#) [04-CW07-50](#) [04-CW14-50](#) [04-ES-1000](#) [04-ESNF1000-10](#) [04-ESNF-1000L](#) [04-ESNF-250L](#) [04-ESNF-375L](#) [04-MP10009](#) [04-SCBW19L-GR](#) [04-SCBW25L-BK](#) [04-SCBW25L-GR](#) [04-SCBW25L-WH](#) [04-SCBW32L-BK](#) [04-SCBW32L-GR](#) [04-SCBW32L-OR](#) [04-SCBW32L-WH](#) [04-SCBW50L-GR](#) [04-SCBW50L-OR](#) [04-SCBW6C-GR](#) [04-SCBW6C-OR](#) [04-SCBW6C-WH](#) [04-SCW10C-BK](#) [04-SCW10C-GR](#) [04-SCW10C-OR](#) [04-SCW19L-OR](#) [04-SCW5C-WH](#) [04-SL1.00-G](#) [04-SL1.00-G-10](#) [04-SL1.00-G-5](#)