



ELECTRONICS, INC.
 44 FARRAND STREET
 BLOOMFIELD, NJ 07003
 (973) 748-5089
<http://www.nteinc.com>

NTE30048 Infrared Emitting Diode – 5mm (T-1^{3/4})

Features:

- High Radiant Intensity
- High Reliability
- Low Forward Voltage
- Pb Free
- Lens Color: Water Clear

Applications:

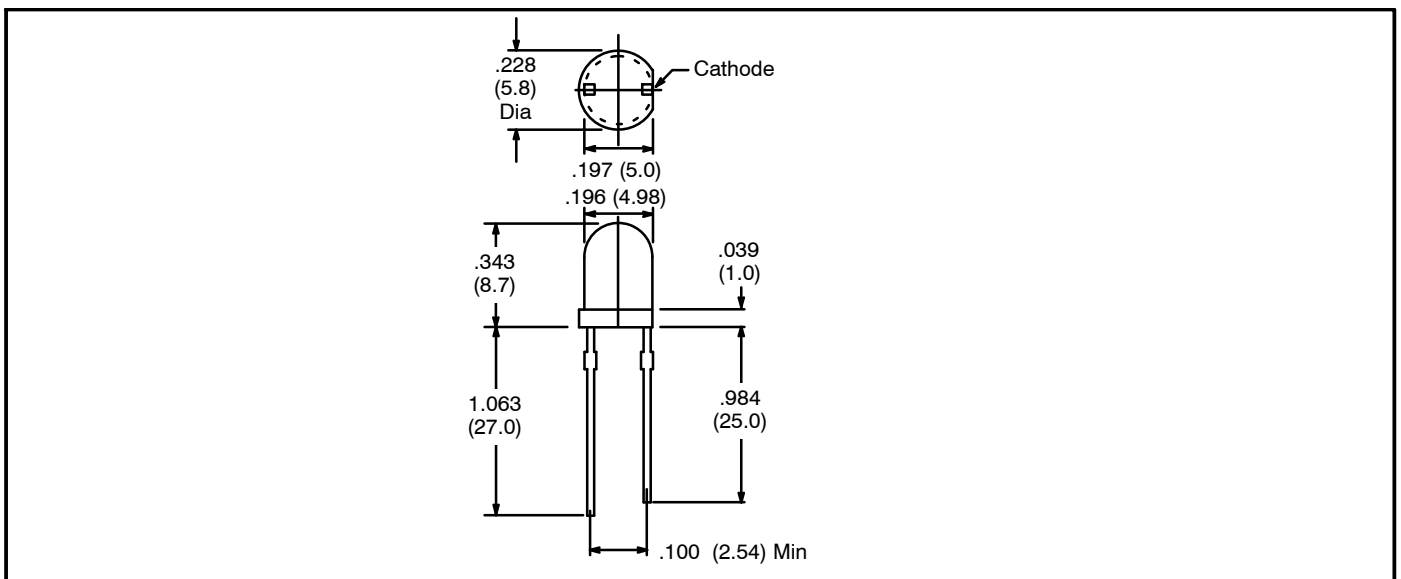
- Free Air Transmission System
- Optoelectronic Switch
- Floppy Disk Drive
- Infrared Applied System
- Smoke Detector

Absolute Maximum Ratings: (T_A = +25°C unless otherwise specified)

Power Dissipation (at or below 25°C Free Air Temperature), P _d	150mW
Continuous Forward Current, I _F	50mA
Transient Peak Current (Pulse Width=100µs, Duty Cycle=1%), I _{FP}	200mA
Reverse Voltage, V _R	5V
Operating Temperature, T _{opr}	-40° to +85°C
Storage Temperature, T _{stg}	-40° to +85°C
Soldering Temperature (4mm from mold body less than 5 seconds), T _{sol}	+260°C

Electrical Characteristics:

Parameter	Symbol	Test Conditions	Min	Typ	Max	Unit
Viewing Angle	θ	I _F = 50mA	-	30	-	degree
Forward Voltage	V _F	I _F = 50mA	1.30	1.40	-	V
Reverse Current	I _R	V _R = 5.0V	-	-	10	uA
Radiation Intensity	I _e	I _F = 50mA	45	52	-	mW/sr
Peak Wavelength	λ _p	I _F = 50mA	-	850	-	nm
Spectral Bandwidth	Δλ	I _F = 50mA	-	50	-	nm



X-ON Electronics

Largest Supplier of Electrical and Electronic Components

Click to view similar products for [NTE manufacturer](#):

Other Similar products are found below :

[5W127](#) [5W5D0](#) [5WD10](#) [747](#) [797](#) [868](#) [R04-11A30-24](#) [RIM-IAC5](#) [1724](#) [NEH100M6.3BA](#) [NEH1.0M63AA](#) [NEH.33M100AA](#)
[NEH3.3M100BA](#) [NEH.47M100AA](#) [NEH680M100GF](#) [NEHH1.0M450CB](#) [NEHH4.7M160BB](#) [NEV.33M100AA](#) [NEVH1.0M160AA](#)
[NEVH1.0M250AB](#) [NEVH3.3M250BB](#) [NEVH3.3M450CC](#) [NTE131](#) [NTE1389](#) [NTE1396](#) [NTE1416](#) [NTE1728](#) [NTE1751](#) [NTE1759](#)
[NTE1780](#) [NTE1813](#) [NTE1837](#) [NTE1845](#) [NTE1863](#) [NTE1872](#) [NTE187A](#) [NTE1897](#) [NTE1915](#) [NTE1964](#) [NTE2085](#) [NTE226](#) [NTE2323](#)
[NTE233](#) [NTE2409](#) [NTE2540](#) [NTE369](#) [NTE48](#) [NTE5156A](#) [NTE526A](#) [NTE5524](#)