



ELECTRONICS, INC.
 44 FARRAND STREET
 BLOOMFIELD, NJ 07003
 (973) 748-5089
<http://www.nteinc.com>

NTE30051 & NTE30052 Infrared Phototransistor

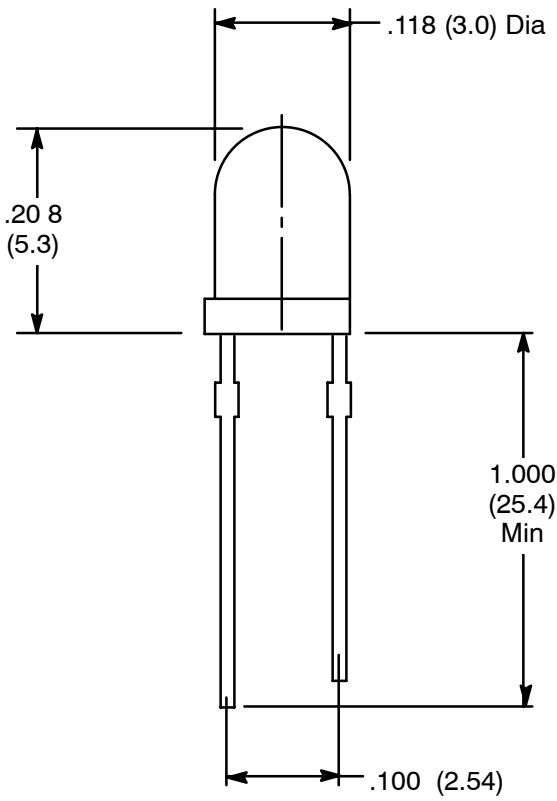
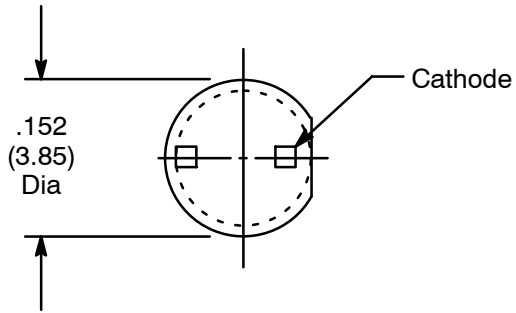
Absolute Maximum Ratings: ($T_A = +25^\circ\text{C}$ unless otherwise specified)

Sensitive Area, AA	0.19mm
Power Dissipation, P_D	150mW
Collector–Emitter Voltage, V_{CEO}	30V
Emitter–Collector Voltage, V_{ECO}	5V
Operating Temperature Range, T_{opr}	-25° to $+85^\circ\text{C}$
Storage Temperature Range, T_{stg}	-40° to $+100^\circ\text{C}$
Lead Temperature (During Soldering, .062 (1.6mm) from case bottom, 5sec max), T_L	
NTE30051	+240°C
NTE30052	+260°C

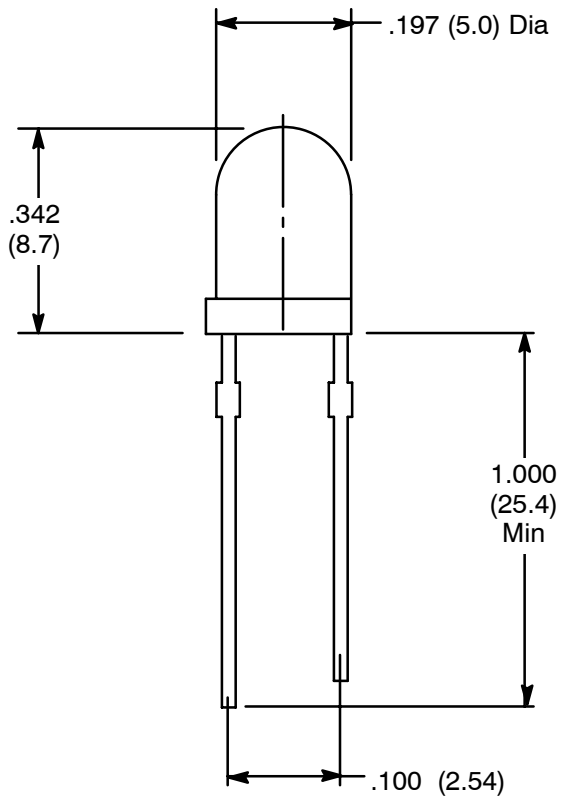
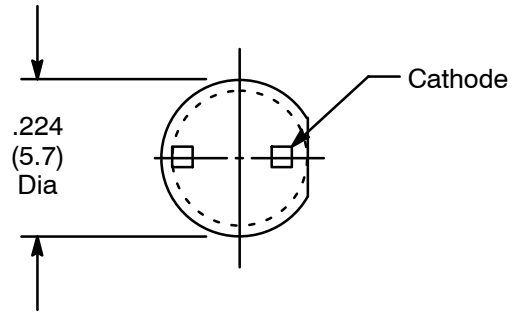
Electrical Characteristics: ($T_A = +25^\circ\text{C}$ unless otherwise specified)

Parameter	Symbol	Test Conditions	Min	Typ	Max	Unit
Angle of Half Sensitive NTE30051	2θ1/2	$I_C = 1\text{mA}, E_e = 0\text{mW}/\text{cm}^2$	–	20	–	Degree
NTE30052			–	38	–	Degree
Collector–Emitter Voltage	V_{CEO}	$I_C = 1\text{mA}, E_e = 0\text{mW}/\text{cm}^2$	30	–	–	V
Emitter–Collector Voltage	V_{ECO}	$I_C = 100\mu\text{A}, E_e = 0\text{mW}/\text{cm}^2$	–	5	–	V
Collector–Emitter Saturation Voltage	V_{CES}	$I_C = 0.5\text{mA}, I_b = 100\mu\text{A}$	–	–	0.4	V
Collector Current (Saturation) NTE30051	I_C	$V_{CE} = 5\text{V}, E_e = 0.5\text{mW}/\text{cm}^2$	0.2	1.5	–	mA
NTE30052			0.8	3.0	12	mA
Collector Dark Current	I_{CEO}	$V_{CE} = 20\text{V}, E_e = 0\text{mW}/\text{cm}^2$	–	–	100	nA
Rise Time	t_r	$V_{CE} = 5\text{V}, I_C = 1\text{mA}, R_L = 1000\Omega$	–	15	–	μs
Fall Time	t_f	$V_{CE} = 5\text{V}, I_C = 1\text{mA}, R_L = 1000\Omega$	–	15	–	μs
Peak Wavelength	λ_p		–	900	–	nm
Sensitivity Wavelength	λ		500	–	1100	nm

NTE30051



NTE30052



X-ON Electronics

Largest Supplier of Electrical and Electronic Components

Click to view similar products for [NTE manufacturer](#):

Other Similar products are found below :

[02-LDR1](#) [02-LDR12](#) [02-LDR13](#) [02-LDR14](#) [02-LDR15](#) [02-LDR2](#) [02-LDR20](#) [02-LDR21](#) [02-LDR22](#) [02-LDR23](#) [02-LDR3](#) [02-LDR4](#) [02-N101-1](#) [02-N103-1](#) [04-04180](#) [04-06100SS](#) [04-ACC10](#) [04-ACC20](#) [04-ACC30](#) [04-ACC40](#) [04-CCL3129](#) [04-CW07-50](#) [04-CW14-50](#) [04-ES-1000](#) [04-ESNF1000-10](#) [04-ESNF-1000L](#) [04-ESNF-250L](#) [04-ESNF-375L](#) [04-MP10009](#) [04-SCBW19L-GR](#) [04-SCBW25L-BK](#) [04-SCBW25L-GR](#) [04-SCBW25L-WH](#) [04-SCBW32L-BK](#) [04-SCBW32L-GR](#) [04-SCBW32L-OR](#) [04-SCBW32L-WH](#) [04-SCBW50L-GR](#) [04-SCBW50L-OR](#) [04-SCBW6C-GR](#) [04-SCBW6C-OR](#) [04-SCBW6C-WH](#) [04-SCW10C-BK](#) [04-SCW10C-GR](#) [04-SCW10C-OR](#) [04-SCW19L-OR](#) [04-SCW5C-WH](#) [04-SL1.00-G](#) [04-SL1.00-G-10](#) [04-SL1.00-G-5](#)