



ELECTRONICS, INC.
 44 FARRAND STREET
 BLOOMFIELD, NJ 07003
 (973) 748-5089
<http://www.nteinc.com>

NTE30074 thru NTE30079 Light Emitting Diode (LED) 1206 Surface Mount

Features:

- Available in 5 Different Colors:
 - NTE30074 (Super Red, AllnGaP/GaAs)
 - NTE30075 (Super Green)
 - NTE30076 (Super Yellow, AllnGaP/GaAs)
 - NTE30077 (Super Orange, AllnGaP/GaAs)
 - NTE30078 (Super Blue)
 - NTE30079 (Super White)
- 3.2mm x 1.6mm (1206) SMT LED, 1.1mm Thickness
- Single Color
- Suitable for All SMT Assembly and Solder Process
- Ideal for Backlighting

Absolute Maximum Ratings: ($T_A = +25^{\circ}\text{C}$ unless otherwise specified)

| | |
|---|----------------|
| DC Forward Current, I_F | |
| NTE30074, NTE30076, NTE30077 | 25mA |
| NTE30075, NTE30078, NTE30079 | 20mA |
| Peak Forward Current (Note 1), I_{fp} | |
| NTE30074, NTE30076, NTE30077 | 50mA |
| NTE30075, NTE30078, NTE30079 | 100mA |
| Reverse Voltage, V_R | |
| NTE30078 & NTE30079 | 4V |
| All Other Devices | 5V |
| Power Dissipation, P_D | |
| NTE30074, NTE30076, NTE30077 | 100mW |
| NTE30075, NTE30078, NTE30079 | 120mW |
| Electrostatic Discharge (NTE30075, NTE30078 & NTE30079 Only), ESD | |
| 150V | |
| LED Junction Temperature, T_J | |
| NTE30078 Only | +125°C |
| All Other Devices | +100°C |
| Operating Temperature Range, T_{opr} | |
| NTE30074 Only | -40° to +85°C |
| NTE30079 Only | -25° to +85°C |
| All Other Devices | -30° to +85°C |
| Storage Temperature Range, T_{stg} | |
| NTE30074 Only | -40° to +100°C |
| NTE30079 Only | -30° to +85°C |
| All Other Devices | -40° to +85°C |
| Reflow Soldering (Preheat +150° to +180°C 60sec to 120sec, 10sec max) | |
| +260°C | |

Note 1. 1/10 Duty Cycle, 0.1ms Pulse Width.

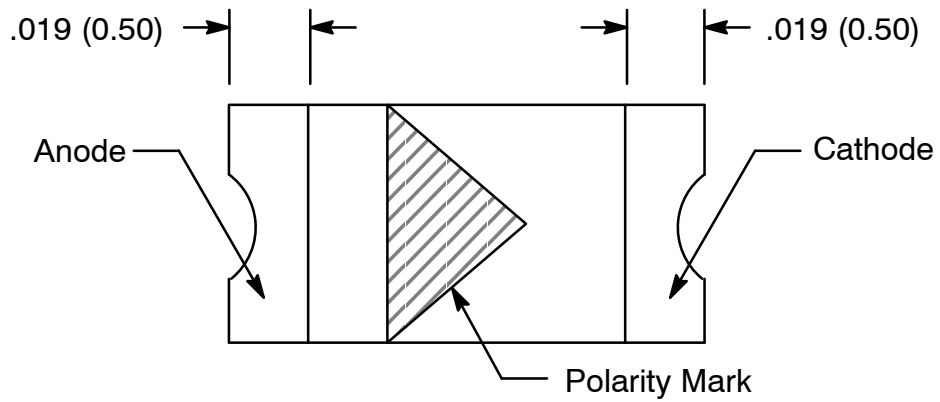
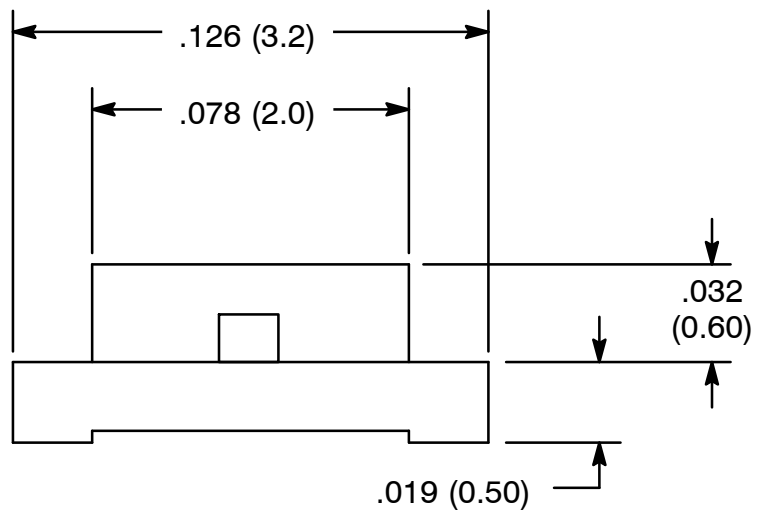
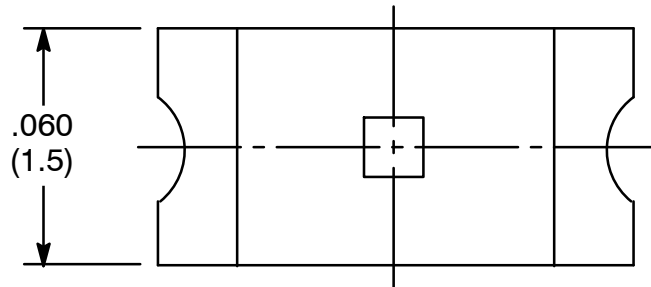


Electrical/Optical Characteristics: ($T_A = +25^\circ\text{C}$ unless otherwise specified)

| Parameter | Symbol | Test Conditions | Min | Typ | Max | Unit |
|--|-------------------|------------------------------|--------|------------|---------------|---------------|
| Viewing Angle of Half Power NTE30074 Only All Other Devices | $2\theta_{1/2}$ | $I_F = 20\text{mA}$ | - - | 130 140 | - - | degrees |
| Luminous Intensity NTE30074 | I_V | $I_F = 20\text{mA}$, Note 2 | 120 | - | 150 | mcd |
| NTE30075 | | | 120 | 220 | - | mcd |
| NTE30076 | | | 30 | 100 | - | mcd |
| NTE30077 | | | 60 | 100 | - | mcd |
| NTE30078 | | | 25 | 48 | - | mcd |
| NTE30079 | | | 200 | 350 | - | mcd |
| Forward Voltage NTE30076, NTE30077 | V_F | $I_F = 20\text{mA}$ | - | 2.0 | 2.4 | V |
| NTE30075, NTE30079 | | | - | 3.5 | 4.2 | V |
| NTE30074 | | | 2.0 | - | 2.2 | V |
| NTE30078 | | | - | 3.5 | 4.0 | V |
| Reverse Current NTE30074, NTE30076, NTE30077 | I_R | $V_R = 5\text{V}$ | - | - | 10 | μA |
| NTE30075 | | $V_R = 4\text{V}$ | - | - | 10 | μA |
| NTE30078, NTE30079 | | - | - | 60 | μA | |
| Peak Emission Wave Length NTE30074 | λ_P | $I_F = 20\text{mA}$ | 620 | - | 625 | nm |
| NTE30075 | | | - | 523 | - | nm |
| NTE30076 | | | - | 589 | - | nm |
| NTE30077 | | | - | 620 | - | nm |
| NTE30078 | | | - | 468 | - | nm |
| Dominate Wavelength NTE30074 | λ_d (HUE) | $I_F = 20\text{mA}$, Note 3 | 620 | - | 625 | nm |
| NTE30075 | | | - | 525 | - | nm |
| NTE30076 | | | - | 588 | - | nm |
| NTE30077 | | | - | 615 | - | nm |
| NTE30078 | | | 465 | 470 | 480 | nm |
| Spectral Line Half Width NTE30077 | $\Delta\lambda$ | $I_F = 20\text{mA}$ | - | 25 | - | nm |
| NTE30075, NTE30078 | | | - | 45 | - | nm |
| NTE30074, NTE30076 | | | - | 20 | - | nm |
| Chromaticity Coordinates (NTE30079 Only) | x | $I_F = 20\text{mA}$ | - | 0.29 | - | |
| | y | | - | 0.31 | - | |

Note 2. Tolerance: 30% measured with EXELTRON 2001

Note 3. The dominate wavelength, λ_d , is derived from the CIE Chromatic Diagram and represents the color of the device.



X-ON Electronics

Largest Supplier of Electrical and Electronic Components

Click to view similar products for [NTE manufacturer](#):

Other Similar products are found below :

[5W127](#) [5W5D0](#) [5WD10](#) [747](#) [797](#) [868](#) [R04-11A30-24](#) [RIM-IAC5](#) [1724](#) [NEH100M6.3BA](#) [NEH1.0M63AA](#) [NEH.33M100AA](#)
[NEH3.3M100BA](#) [NEH.47M100AA](#) [NEH680M100GF](#) [NEHH1.0M450CB](#) [NEHH4.7M160BB](#) [NEV.33M100AA](#) [NEVH1.0M160AA](#)
[NEVH1.0M250AB](#) [NEVH3.3M250BB](#) [NEVH3.3M450CC](#) [NTE131](#) [NTE1389](#) [NTE1396](#) [NTE1416](#) [NTE1728](#) [NTE1751](#) [NTE1759](#)
[NTE1780](#) [NTE1813](#) [NTE1837](#) [NTE1845](#) [NTE1863](#) [NTE1872](#) [NTE187A](#) [NTE1897](#) [NTE1915](#) [NTE1964](#) [NTE2085](#) [NTE226](#) [NTE2323](#)
[NTE233](#) [NTE2409](#) [NTE2540](#) [NTE369](#) [NTE48](#) [NTE5156A](#) [NTE526A](#) [NTE5524](#)