



ELECTRONICS, INC.
 44 FARRAND STREET
 BLOOMFIELD, NJ 07003
 (973) 748-5089
<http://www.nteinc.com>

NTE30074 thru NTE30079 Light Emitting Diode (LED) 1206 Surface Mount

Features:

- Available in 5 Different Colors:
 - NTE30074 (Super Red, AllnGaP/GaAs)
 - NTE30075 (Super Green)
 - NTE30076 (Super Yellow, AllnGaP/GaAs)
 - NTE30077 (Super Orange, AllnGaP/GaAs)
 - NTE30078 (Super Blue)
 - NTE30079 (Super White)
- 3.2mm x 1.6mm (1206) SMT LED, 1.1mm Thickness
- Single Color
- Suitable for All SMT Assembly and Solder Process
- Ideal for Backlighting

Absolute Maximum Ratings: ($T_A = +25^{\circ}\text{C}$ unless otherwise specified)

DC Forward Current, I_F	
NTE30074, NTE30076, NTE30077	25mA
NTE30075, NTE30078, NTE30079	20mA
Peak Forward Current (Note 1), I_{fp}	
NTE30074, NTE30076, NTE30077	50mA
NTE30075, NTE30078, NTE30079	100mA
Reverse Voltage, V_R	
NTE30078 & NTE30079	4V
All Other Devices	5V
Power Dissipation, P_D	
NTE30074, NTE30076, NTE30077	100mW
NTE30075, NTE30078, NTE30079	120mW
Electrostatic Discharge (NTE30075, NTE30078 & NTE30079 Only), ESD	
150V	
LED Junction Temperature, T_J	
NTE30078 Only	+125°C
All Other Devices	+100°C
Operating Temperature Range, T_{opr}	
NTE30074 Only	-40° to +85°C
NTE30079 Only	-25° to +85°C
All Other Devices	-30° to +85°C
Storage Temperature Range, T_{stg}	
NTE30074 Only	-40° to +100°C
NTE30079 Only	-30° to +85°C
All Other Devices	-40° to +85°C
Reflow Soldering (Preheat +150° to +180°C 60sec to 120sec, 10sec max)	
+260°C	

Note 1. 1/10 Duty Cycle, 0.1ms Pulse Width.

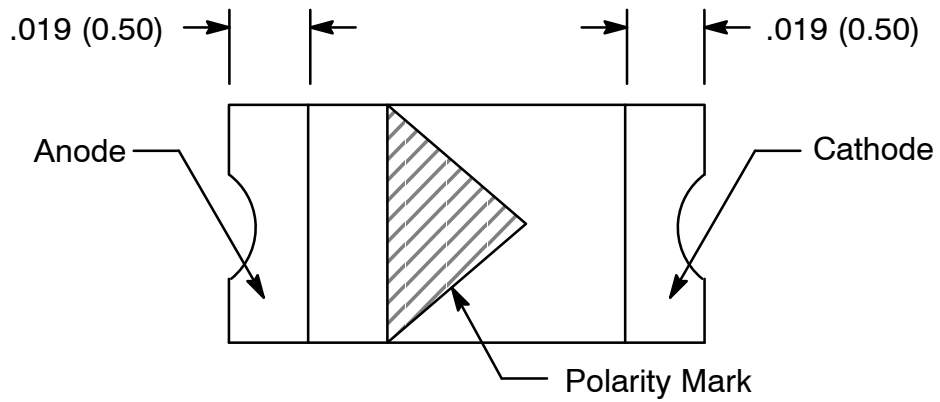
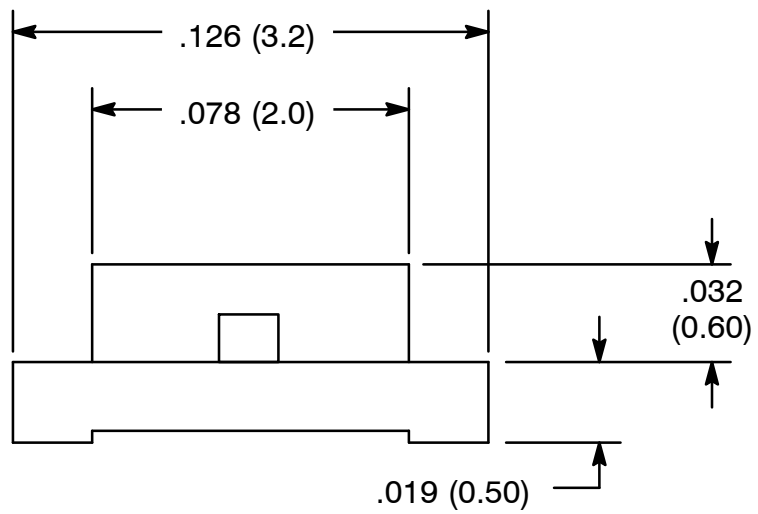
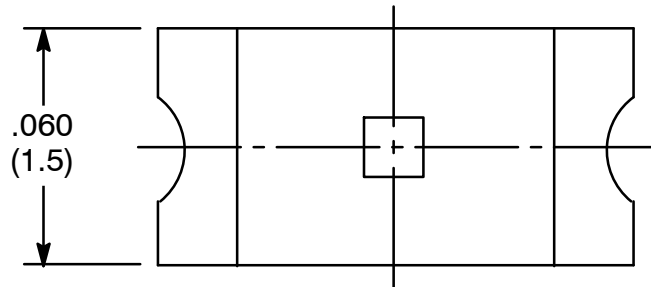


Electrical/Optical Characteristics: ($T_A = +25^{\circ}\text{C}$ unless otherwise specified)

Parameter	Symbol	Test Conditions	Min	Typ	Max	Unit
Viewing Angle of Half Power NTE30074 Only All Other Devices	$2\theta_{1/2}$	$I_F = 20\text{mA}$	- -	130 140	- -	degrees
Luminous Intensity NTE30074	I_V	$I_F = 20\text{mA}$, Note 2	120	-	150	mcd
NTE30075			120	220	-	mcd
NTE30076			30	100	-	mcd
NTE30077			60	100	-	mcd
NTE30078			25	48	-	mcd
NTE30079			200	350	-	mcd
Forward Voltage NTE30076, NTE30077	V_F	$I_F = 20\text{mA}$	-	2.0	2.4	V
NTE30075, NTE30079			-	3.5	4.2	V
NTE30074			2.0	-	2.2	V
NTE30078			-	3.5	4.0	V
Reverse Current NTE30074, NTE30076, NTE30077	I_R	$V_R = 5\text{V}$	-	-	10	μA
NTE30075		$V_R = 4\text{V}$	-	-	10	μA
NTE30078, NTE30079		-	-	60	μA	
Peak Emission Wave Length NTE30074	λ_P	$I_F = 20\text{mA}$	620	-	625	nm
NTE30075			-	523	-	nm
NTE30076			-	589	-	nm
NTE30077			-	620	-	nm
NTE30078			-	468	-	nm
Dominate Wavelength NTE30074	λ_d (HUE)	$I_F = 20\text{mA}$, Note 3	620	-	625	nm
NTE30075			-	525	-	nm
NTE30076			-	588	-	nm
NTE30077			-	615	-	nm
NTE30078			465	470	480	nm
Spectral Line Half Width NTE30077	$\Delta\lambda$	$I_F = 20\text{mA}$	-	25	-	nm
NTE30075, NTE30078			-	45	-	nm
NTE30074, NTE30076			-	20	-	nm
Chromaticity Coordinates (NTE30079 Only)	x	$I_F = 20\text{mA}$	-	0.29	-	
	y		-	0.31	-	

Note 2. Tolerance: 30% measured with EXELTRON 2001

Note 3. The dominate wavelength, λ_d , is derived from the CIE Chromatic Diagram and represents the color of the device.



X-ON Electronics

Largest Supplier of Electrical and Electronic Components

Click to view similar products for [NTE manufacturer](#):

Other Similar products are found below :

[5W127](#) [5W5D0](#) [5WD10](#) [747](#) [797](#) [868](#) [R04-11A30-24](#) [RIM-IAC5](#) [1724](#) [NEH100M6.3BA](#) [NEH1.0M63AA](#) [NEH.33M100AA](#)
[NEH3.3M100BA](#) [NEH.47M100AA](#) [NEH680M100GF](#) [NEHH1.0M450CB](#) [NEHH4.7M160BB](#) [NEV.33M100AA](#) [NEVH1.0M160AA](#)
[NEVH1.0M250AB](#) [NEVH3.3M250BB](#) [NEVH3.3M450CC](#) [NTE131](#) [NTE1389](#) [NTE1396](#) [NTE1416](#) [NTE1728](#) [NTE1751](#) [NTE1759](#)
[NTE1780](#) [NTE1813](#) [NTE1837](#) [NTE1845](#) [NTE1863](#) [NTE1872](#) [NTE187A](#) [NTE1897](#) [NTE1915](#) [NTE1964](#) [NTE2085](#) [NTE226](#) [NTE2323](#)
[NTE233](#) [NTE2409](#) [NTE2540](#) [NTE369](#) [NTE48](#) [NTE5156A](#) [NTE526A](#) [NTE5524](#)