



ELECTRONICS, INC.  
 44 FARRAND STREET  
 BLOOMFIELD, NJ 07003  
 (973) 748-5089  
<http://www.nteinc.com>

## NTE30100 LED – Dual Color 3mm High Efficiency Red/Yellow Green

**Features:**

- RoHS Compliant
- White Diffused Lens
- Common Cathode Pin Configuration

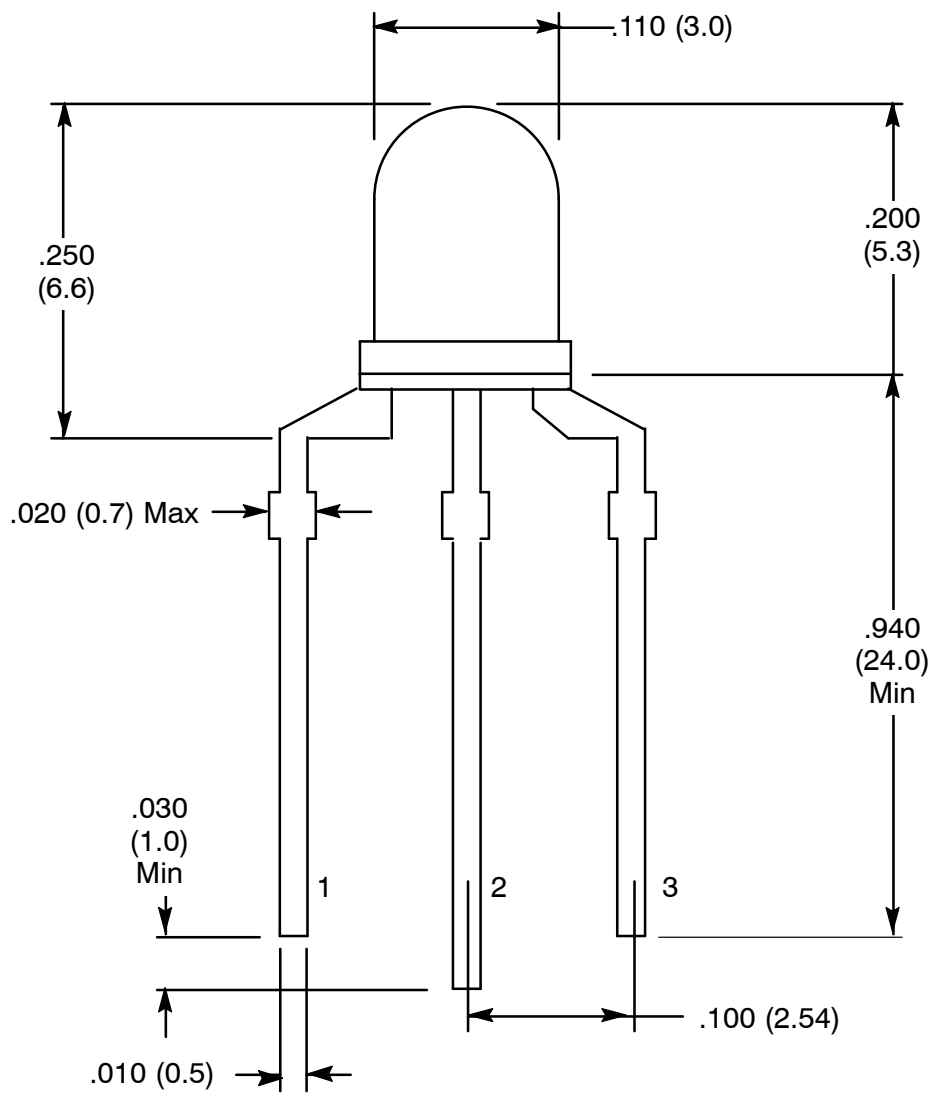
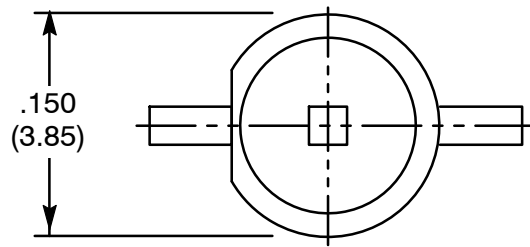
**Absolute Maximum Ratings:** ( $T_A = +25^{\circ}\text{C}$  unless otherwise specified)

Power Dissipation, $P_D$ .....	100mW
Continuous Forward Current, $I_F$	
High-Efficiency Red .....	30mA
Yellow Green .....	25mA
Peak Forward Current (1/10 Duty Ratio, 0.1ms Pulse Width), $I_{FM}$ .....	80mA
Reverse Voltage ( $I_R = 100\mu\text{A}$ ), $V_R$ .....	5V
Operating Temperature Range, $T_{opr}$ .....	$-40^{\circ}\text{C}$ to $+100^{\circ}\text{C}$
Storage Temperature Range, $T_{stg}$ .....	$-40^{\circ}\text{C}$ to $+100^{\circ}\text{C}$
Lead Temperature (During Soldering, 3mm from body, 5sec max), $T_L$ .....	$+260^{\circ}\text{C}$

**Electro-Optical Characteristics:** ( $T_A = +25^{\circ}\text{C}$  unless otherwise specified)

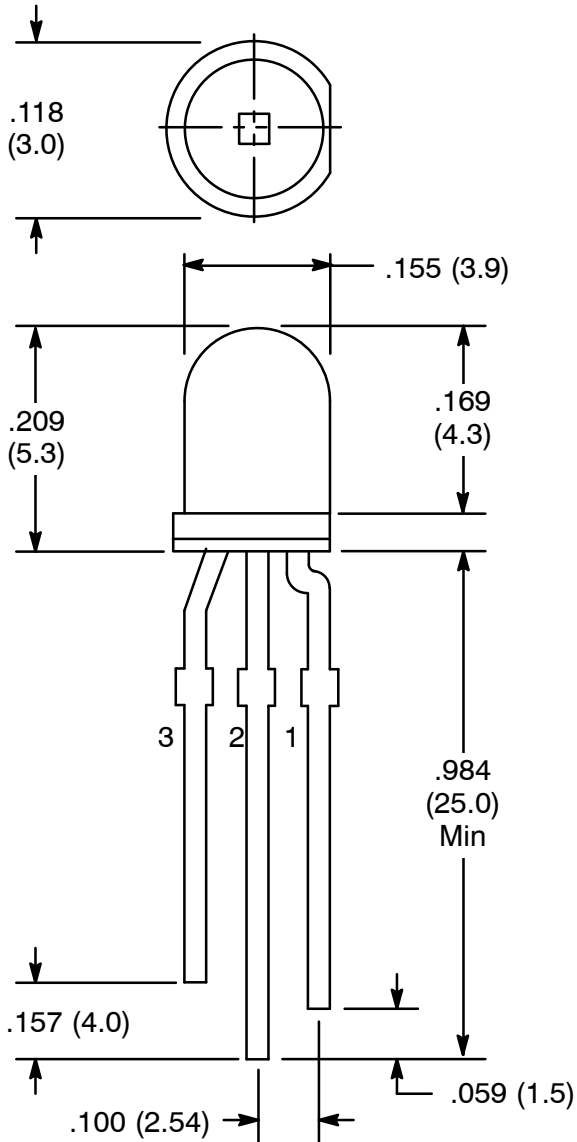
Parameter	Symbol	Test Conditions	Min	Typ	Max	Unit
View Angle of Half Power	$\theta$	$I_F = 20\text{mA}$	-	40	-	deg
Forward Voltage	$V_F$	$I_F = 20\text{mA}$	1.8	2.0	2.6	V
High Efficiency Red				1.9	2.1	2.6
Luminous Intensity	$I_V$	$I_F = 20\text{mA}$	150	200	250	mcd
High Efficiency Red				60	80	100
Dominate Wave Length	$\lambda_d$	$I_F = 20\text{mA}$	630	-	635	nm
High Efficiency Red				570	-	575
Peak Emission Wavelength	$\lambda_p$	$I_F = 20\text{mA}$	-	635	-	nm
High Efficiency Red				-	575	-
Spectral Line Half-Width	$\Delta\lambda$	$I_F = 20\text{mA}$	-	30	-	nm
High Efficiency Red				-	30	-
Reverse Current	$I_R$	$V_R = 5\text{V}$	-	-	10	$\mu\text{A}$





- 1. Red +
- 2. Common Cathode Lead -
- 3. Green +

Alternate Package



- 1. Red +
- 2. Common Lead -
- 3. Green +

## X-ON Electronics

Largest Supplier of Electrical and Electronic Components

*Click to view similar products for [Standard LEDs - Through Hole category](#):*

*Click to view products by [NTE manufacturer](#):*

Other Similar products are found below :

[LTL-10234W](#) [LTL-10254W](#) [LTL-1214A](#) [LTL-2231AT](#) [LTL-3251A](#) [LTL-4262N](#) [LTL-433P](#) [LTL-5234](#) [LTL87HTBK](#) [LTW-87HD4B](#)  
[HLMP-3507-D00B1](#) [HLMP-EL30-PS0DD](#) [1L0532V23G0TD001](#) [NSPW500CS](#) [NTE30036](#) [NTE30044](#) [NTE30059](#) [NTE3020](#) [LD CQDP-](#)  
[1U3U-W5-1-K](#) [LO566UHR3-70G-A3](#) [LP379PPG1C0G0300001](#) [SLX-LX3044GD](#) [SLX-LX3044ID](#) [SLX-LX3044YD](#) [1.90690.3330000](#) [SSS-](#)  
[LX4673ID-410B](#) [1L0532Y24I0TD001](#) [264-7SYGD/S530-E2](#) [HLMP1385](#) [LTL-10224W](#) [LTL-1224A](#) [LTL-1234A](#) [LTL-1BEHJ-012](#) [LTL-](#)  
[2251AT](#) [LTL-307YE-012](#) [LTL-403HR](#) [LTL-4222](#) [LU7-E-B](#) [4380H1](#) [TLHY44K1L2](#) [HLMP-3962-F0002](#) [HLMP-GG15-R0000](#) [323-](#)  
[2SURD/S530-A3](#) [L53SRC/E-Z](#) [L-7679C1ZGC](#) [4302T1-5V](#) [4306D23](#) [4363D1/5](#) [WP1503SRC/J4](#) [WP153GDT](#)