



ELECTRONICS, INC.
 44 FARRAND STREET
 BLOOMFIELD, NJ 07003
 (973) 748-5089
<http://www.nteinc.com>

NTE30106 LED – Dual Color 5mm Super Fresh Red/Super Yellow Green

Features:

- RoHS Compliant
- Water Clear
- Common Cathode Pin Configuration

Absolute Maximum Ratings: ($T_A = +25^\circ\text{C}$ unless otherwise specified)

Power Dissipation, P_d	100mW
Continuous Forward Current, I_F	20mA
Derate Linear from 30°C	0.8mA/ $^\circ\text{C}$
Peak Forward Current (Note 1), I_{FM}	100mA
Reverse Voltage, V_R	5V
Operating Temperature Range, T_{opr}	-25°C to $+80^\circ\text{C}$
Storage Temperature Range, T_{stg}	-40°C to $+80^\circ\text{C}$
DIP Soldering Temperature (During Soldering, 1.6mm from body, 5sec max), T_L	$+260^\circ\text{C}$

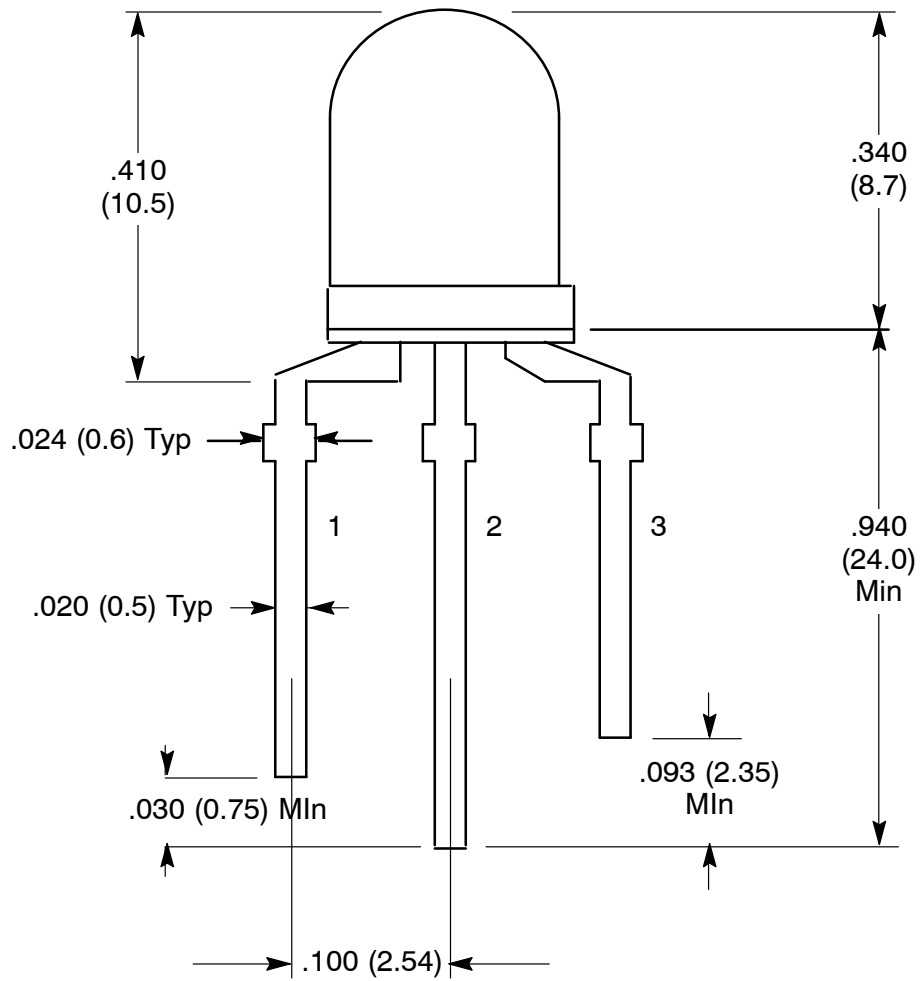
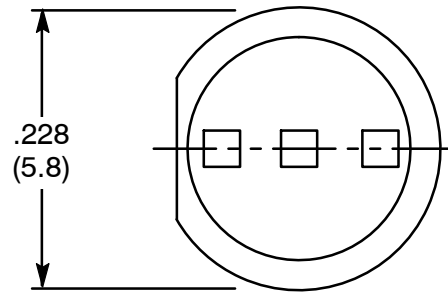
Note 1. Pulse Width $\leq 100\mu\text{s}$, Duty Cycle $\leq 1\%$

Electro-Optical Characteristics: ($T_A = +25^\circ\text{C}$ unless otherwise specified)

Parameter	Symbol	Test Conditions	Min	Typ	Max	Unit
View Angle of Half Power	$2\theta_{1/2}$		–	20	–	deg
Forward Voltage	V_F	$I_F = 20\text{mA}$	1.8	2.0	2.2	V
High Efficiency Red						
Yellow Green			2.0	–	2.2	V
Luminous Intensity	I_v	$I_F = 20\text{mA}$	1000	–	1500	mcd
High Efficiency Red						
Yellow Green			400	600	800	mcd
Peak Emission Wavelength	λ_p	$I_F = 20\text{mA}$	620	625	630	nm
High Efficiency Red						
Yellow Green			565	570	575	nm

Rev 11-20





- 1. Red +
- 2. Common Cathode Lead -
- 3. Yellow Green +

X-ON Electronics

Largest Supplier of Electrical and Electronic Components

Click to view similar products for [Standard LEDs - Through Hole category:](#)

Click to view products by [NTE manufacturer:](#)

Other Similar products are found below :

[LTL-10234W](#) [LTL-10254W](#) [LTL-1214A](#) [LTL-2231AT](#) [LTL-3251A](#) [LTL-4262N](#) [LTL-433P](#) [LTL-5234](#) [LTL87HTBK](#) [LTW-87HD4B](#)
[HLMP-3507-D00B1](#) [HLMP-EL30-PS0DD](#) [1L0532V23G0TD001](#) [NSPW500CS](#) [NTE30036](#) [NTE30044](#) [NTE30059](#) [LD CQDP-1U3U-W5-1-K](#) [LO566UHR3-70G-A3](#) [LP379PPG1C0G0300001](#) [SLX-LX3044GD](#) [SLX-LX3044ID](#) [SLX-LX3044YD](#) [1.90690.3330000](#) [SSS-LX4673ID-410B](#) [1L0532Y24I0TD001](#) [264-7SYGD/S530-E2](#) [HLMP1385](#) [LTL-10224W](#) [LTL-1224A](#) [LTL-1234A](#) [LTL-1BEHJ-012](#) [LTL-2251AT](#) [LTL-307YE-012](#) [LTL-403HR](#) [LTL-4222](#) [LU7-E-B](#) [4380H1](#) [TLHY44K1L2](#) [HLMP-3962-F0002](#) [HLMP-GG15-R0000](#) [323-2SURD/S530-A3](#)
[L53SRC/E-Z](#) [L-7679C1ZGC](#) [4302T1-5V](#) [4306D23](#) [4363D1/5](#) [WP1503SRC/J4](#) [WP153GDT](#) [WP153YDT](#)