



ELECTRONICS, INC.
 44 FARRAND STREET
 BLOOMFIELD, NJ 07003
 (973) 748-5089
<http://www.nteinc.com>

NTE30110 LED – Dual Color 3mm Red/Yellow Green

Features:

- Aluminum Gallium Indium Phosphide
- White Diffused Lens
- Low Power Consumption
- High Efficiency
- RoHS Compliant

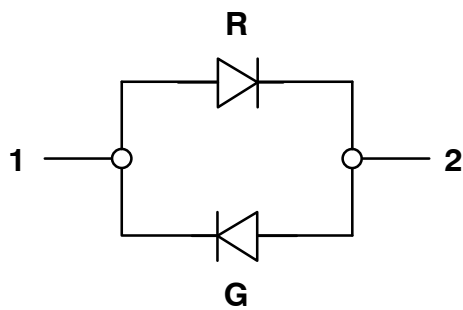
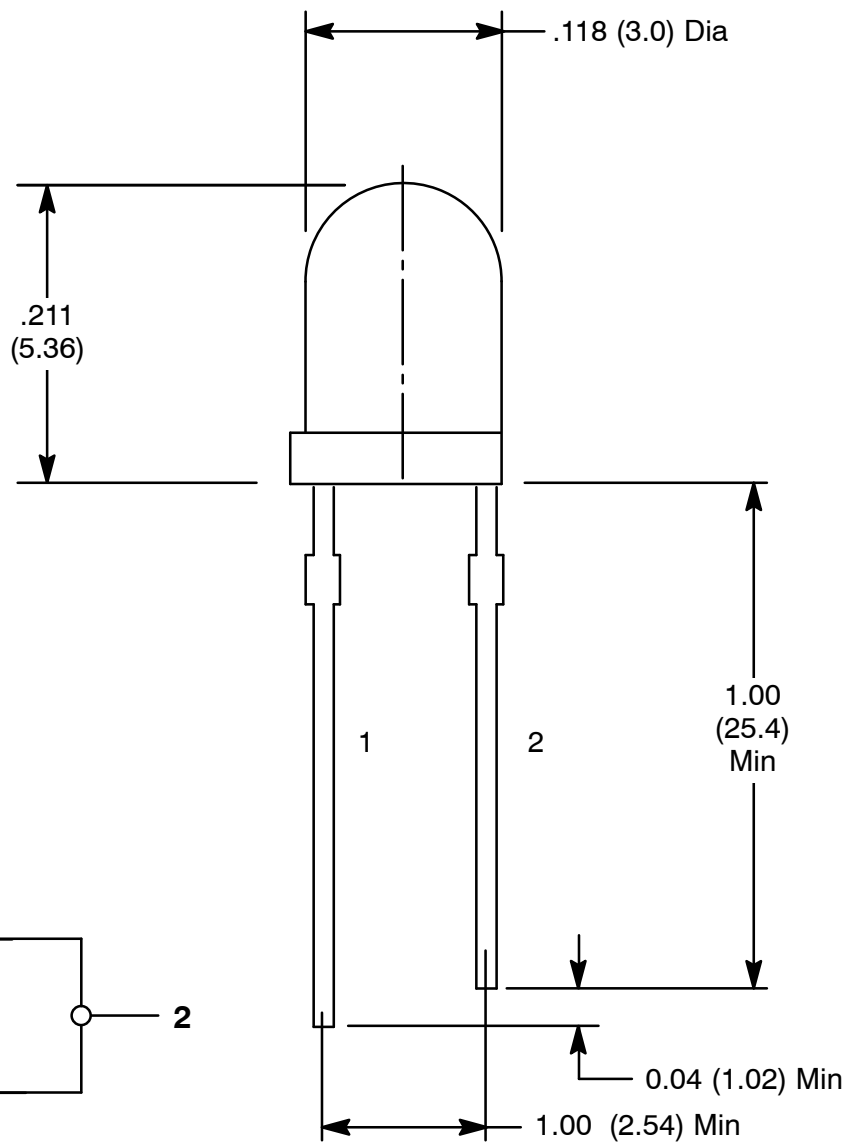
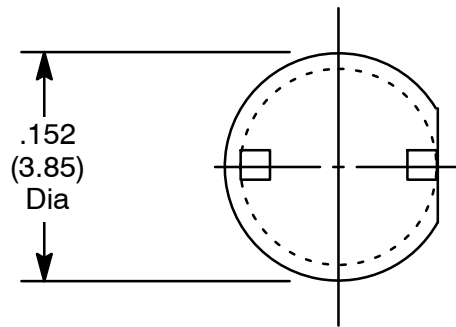
Absolute Maximum Ratings: ($T_A = +25^\circ\text{C}$ unless otherwise specified)

Power Dissipation, P_d	75mW
Continuous Forward Current, I_F	30mA
Derate Linearly Above $+50^\circ\text{C}$	0.4mA/ $^\circ\text{C}$
Peak Forward Current (1/10 Duty Ratio, 0.1ms Pulse Width), I_{FM}	100mA
Reverse Voltage, V_R	5V
Operating Temperature Range, T_{opr}	-40°C to $+85^\circ\text{C}$
Storage Temperature Range, T_{stg}	-40°C to $+100^\circ\text{C}$
Lead Temperature (During Soldering, 4mm from body, 5sec max), T_L	$+260^\circ\text{C}$

Electro-Optical Characteristics: ($T_A = +25^\circ\text{C}$ unless otherwise specified)

Parameter	Symbol	Test Conditions	Min	Typ	Max	Unit
Luminous Intensity Red	I_V	$I_F = 20\text{mA}$	-	200	-	mcd
Yellow Green				110		mcd
View Angle of Half Power	$2\theta_{1/2}$	$I_F = 20\text{mA}$	-	40	-	deg
Peak Emission Wavelength Red	λ_p	$I_F = 20\text{mA}$	-	640	-	nm
Yellow Green				568		nm
Dominant Wave Length Red	λ_d	$I_F = 20\text{mA}$	630	635	640	nm
Yellow Green			567	572	577	nm
Spectral Line Half-Width	$\Delta\lambda_p$	$I_F = 20\text{mA}$	15	20	25	nm
Forward Voltage Red	V_F	$I_F = 20\text{mA}$	1.8	2.0	2.4	V
Yellow Green			1.8	2.3	2.6	V
Reverse Current	I_R	$V_R = 5\text{V}$	-	-	10	μA





X-ON Electronics

Largest Supplier of Electrical and Electronic Components

Click to view similar products for [Standard LEDs - Through Hole category](#):

Click to view products by [NTE manufacturer](#):

Other Similar products are found below :

[LTL-10234W](#) [LTL-10254W](#) [LTL-1214A](#) [LTL-2231AT](#) [LTL-3251A](#) [LTL-4262N](#) [LTL-433P](#) [LTL-5234](#) [LTL87HTBK](#) [LTW-87HD4B](#)
[HLMP-3507-D00B1](#) [HLMP-EL30-PS0DD](#) [1L0532V23G0TD001](#) [NSPW500CS](#) [NTE30036](#) [NTE30044](#) [NTE30059](#) [LD CQDP-1U3U-W5-1-K](#) [LO566UHR3-70G-A3](#) [LP379PPG1C0G0300001](#) [SLX-LX3044GD](#) [SLX-LX3044ID](#) [SLX-LX3044YD](#) [1.90690.3330000](#) [SSS-LX4673ID-410B](#) [1L0532Y24I0TD001](#) [264-7SYGD/S530-E2](#) [HLMP1385](#) [LTL-10224W](#) [LTL-1224A](#) [LTL-1234A](#) [LTL-1BEHJ-012](#) [LTL-2251AT](#) [LTL-307YE-012](#) [LTL-403HR](#) [LTL-4222](#) [LU7-E-B](#) [4380H1](#) [TLHY44K1L2](#) [HLMP-3962-F0002](#) [HLMP-GG15-R0000](#) [323-2SURD/S530-A3](#)
[L53SRC/E-Z](#) [L-7679C1ZGC](#) [4302T1-5V](#) [4306D23](#) [4363D1/5](#) [WP1503SRC/J4](#) [WP153GDT](#) [WP153YDT](#)