



ELECTRONICS, INC.  
 44 FARRAND STREET  
 BLOOMFIELD, NJ 07003  
 (973) 748-5089  
<http://www.nteinc.com>

## NTE30112 LED – Dual Color 5mm High Efficiency Red/Yellow Green

**Features:**

- RoHS Compliant
- White Diffused

**Absolute Maximum Ratings:** ( $T_A = +25^\circ\text{C}$  unless otherwise specified)

Power Dissipation, $P_d$ .....	80mW
Continuous Forward Current, $I_F$ .....	25mA
Derate Linear from $30^\circ\text{C}$ .....	0.8mA/ $^\circ\text{C}$
Peak Forward Current (Note 1), $I_{FM}$ .....	100mA
Reverse Voltage, $V_R$ .....	5V
Operating Temperature Range, $T_{opr}$ .....	$-25^\circ\text{C}$ to $+80^\circ\text{C}$
Storage Temperature Range, $T_{stg}$ .....	$-30^\circ\text{C}$ to $+100^\circ\text{C}$
DIP Soldering Temperature (During Soldering, 1.6mm from body, 5sec max), $T_L$ .....	$+260^\circ\text{C}$

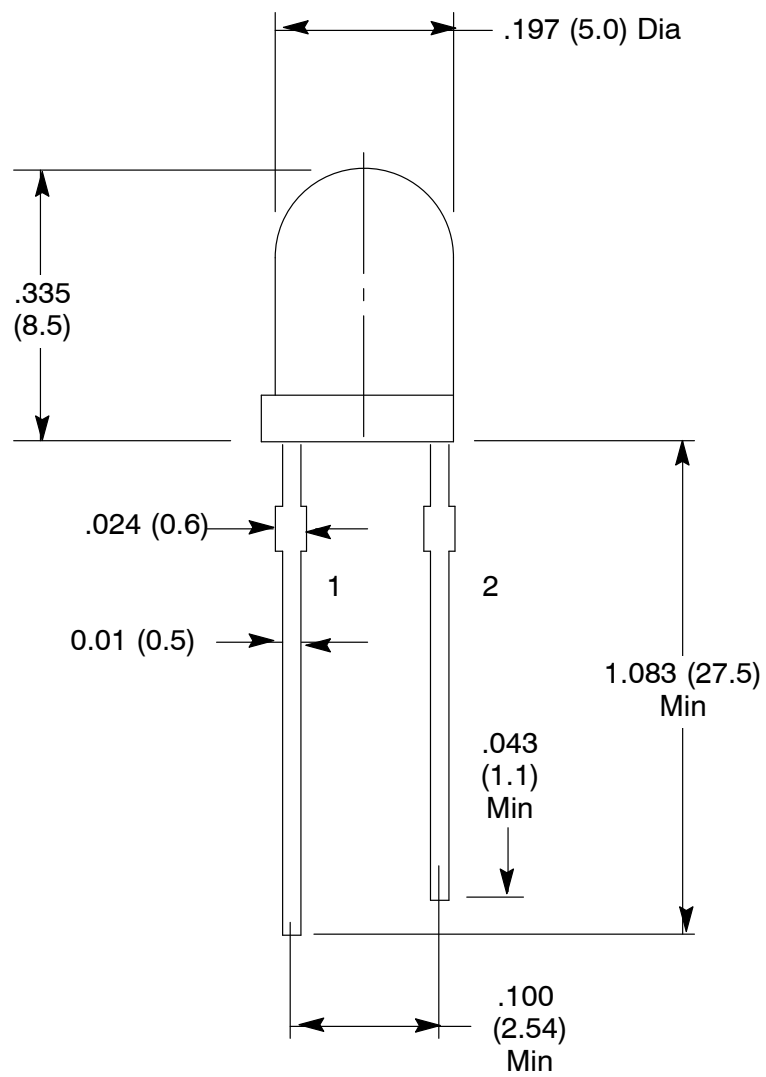
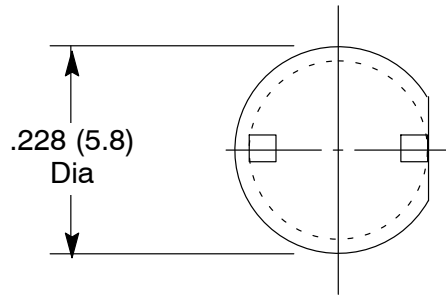
Note 1. Pulse Width  $\leq 100\mu\text{s}$ , Duty Cycle  $\leq 1\%$

**Electro-Optical Characteristics:** ( $T_A = +25^\circ\text{C}$  unless otherwise specified)

Parameter	Symbol	Test Conditions	Min	Typ	Max	Unit
View Angle of Half Power	$2\theta_{1/2}$		–	60	–	deg
Forward Voltage	$V_F$	$I_F = 20\text{mA}$	1.8	2.0	2.2	V
High Efficiency Red						
Yellow Green			2.0	–	2.2	V
Luminous Intensity	$I_v$	$I_F = 20\text{mA}$	200	–	250	mcd
High Efficiency Red						
Yellow Green			80	–	100	mcd
Peak Emission Wavelength	$\lambda_p$	$I_F = 20\text{mA}$	620	625	630	nm
High Efficiency Red						
Yellow Green			565	570	575	nm

Rev. 3-19





- 1. Red -
- 2. Yellow Green -

## X-ON Electronics

Largest Supplier of Electrical and Electronic Components

*Click to view similar products for [Standard LEDs - Through Hole category](#):*

*Click to view products by [NTE manufacturer](#):*

Other Similar products are found below :

[LTL-10234W](#) [LTL-10254W](#) [LTL-1214A](#) [LTL-2231AT](#) [LTL-3251A](#) [LTL-4262N](#) [LTL-433P](#) [LTL-5234](#) [LTL87HTBK](#) [LTW-87HD4B](#)  
[HLMP-3507-D00B1](#) [HLMP-EL30-PS0DD](#) [1L0532V23G0TD001](#) [NSPW500CS](#) [NTE30036](#) [NTE30044](#) [NTE30059](#) [LD CQDP-1U3U-W5-1-K](#) [LO566UHR3-70G-A3](#) [LP379PPG1C0G0300001](#) [SLX-LX3044GD](#) [SLX-LX3044ID](#) [SLX-LX3044YD](#) [1.90690.3330000](#) [SSS-LX4673ID-410B](#) [1L0532Y24I0TD001](#) [264-7SYGD/S530-E2](#) [HLMP1385](#) [LTL-10224W](#) [LTL-1224A](#) [LTL-1234A](#) [LTL-1BEHJ-012](#) [LTL-2251AT](#) [LTL-307YE-012](#) [LTL-403HR](#) [LTL-4222](#) [LU7-E-B](#) [4380H1](#) [TLHY44K1L2](#) [HLMP-3962-F0002](#) [HLMP-GG15-R0000](#) [323-2SURD/S530-A3](#)  
[L53SRC/E-Z](#) [L-7679C1ZGC](#) [4302T1-5V](#) [4306D23](#) [4363D1/5](#) [WP1503SRC/J4](#) [WP153GDT](#) [WP153YDT](#)