



ELECTRONICS, INC.
 44 FARRAND STREET
 BLOOMFIELD, NJ 07003
 (973) 748-5089
<http://www.nteinc.com>



NTE30113 LED – Dual Color 5mm Yellow/Yellow Green

Features:

- RoHS Compliant
- White Diffused

Absolute Maximum Ratings: ($T_A = +25^\circ\text{C}$ unless otherwise specified)

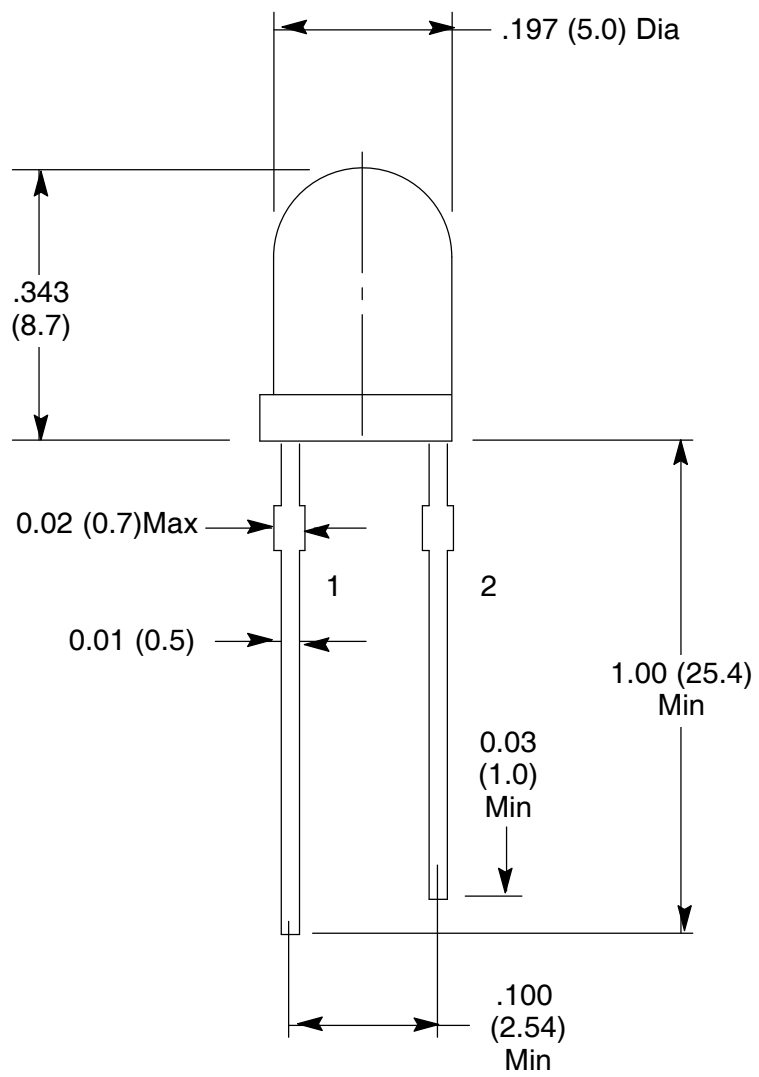
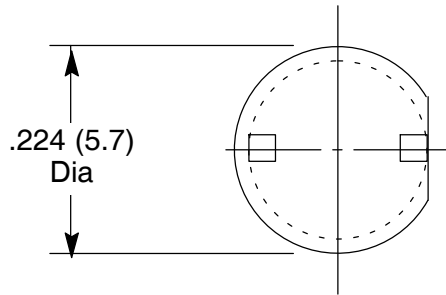
Power Dissipation, P_d	
Yellow	90mW
Yellow Green	84mW
Continuous Forward Current, I_F	25mW
Peak Forward Current (1/10 Duty Ratio, 0.1ms Pulse Width), I_{FM}	50mA
Reverse Voltage, V_R	3V
LED Junction Temperature, T_j	+100°C
Operating Temperature Range, T_{opr}	-25°C to +80°C
Storage Temperature Range, T_{stg}	-40°C to +100°C
DIP Soldering Temperature (During Soldering, 3mm from body, 5sec max), T_L	+260°C

Electro-Optical Characteristics: ($T_A = +25^\circ\text{C}$ unless otherwise specified)

Parameter	Symbol	Test Conditions	Min	Typ	Max	Unit
View Angle of Half Power	$2\theta_{1/2}$	$I_F = 20\text{mA}$	-	45	-	deg
Forward Voltage	VF	$I_F = 20\text{mA}$	-	2.10	2.80	V
Yellow				2.15	2.80	V
Luminous Intensity (Note 1)	IV	$I_F = 20\text{mA}$	-	35	-	mcd
Yellow				50	-	mcd
Peak Emission Wavelength	λ_p	$I_F = 20\text{mA}$	-	589	-	nm
Yellow				570	-	nm
Dominant Wave Length (Note 2)	$\lambda_d(\text{HUE})$	$I_F = 20\text{mA}$	-	585	-	nm
Yellow				567	-	nm
Yellow Green						

Note 1. Luminous intensity is measured with an Exeltron 2001, Tolerance = 30%.

Note 2. The dominant wavelength, λ_d , is derived from the CIE Chromaticity Diagram and represents the color of the device.



- 1. Yellow -
- 2. Green -

X-ON Electronics

Largest Supplier of Electrical and Electronic Components

Click to view similar products for [Standard LEDs - Through Hole category](#):

Click to view products by [NTE manufacturer](#):

Other Similar products are found below :

[LTL-10234W](#) [LTL-10254W](#) [LTL-1214A](#) [LTL-2231AT](#) [LTL-3251A](#) [LTL-4262N](#) [LTL-433P](#) [LTL-5234](#) [LTL87HTBK](#) [LTW-87HD4B](#)
[HLMP-3507-D00B1](#) [HLMP-EL30-PS0DD](#) [1L0532V23G0TD001](#) [NSPW500CS](#) [NTE30036](#) [NTE30044](#) [NTE30059](#) [NTE3020](#) [LD CQDP-](#)
[1U3U-W5-1-K](#) [LO566UHR3-70G-A3](#) [LP379PPG1C0G0300001](#) [SLX-LX3044GD](#) [SLX-LX3044ID](#) [SLX-LX3044YD](#) [1.90690.3330000](#) [SSS-](#)
[LX4673ID-410B](#) [1L0532Y24I0TD001](#) [264-7SYGD/S530-E2](#) [HLMP1385](#) [LTL-10224W](#) [LTL-1224A](#) [LTL-1234A](#) [LTL-1BEHJ-012](#) [LTL-](#)
[2251AT](#) [LTL-307YE-012](#) [LTL-403HR](#) [LTL-4222](#) [LU7-E-B](#) [4380H1](#) [TLHY44K1L2](#) [HLMP-3962-F0002](#) [HLMP-GG15-R0000](#) [323-](#)
[2SURD/S530-A3](#) [L53SRC/E-Z](#) [L-7679C1ZGC](#) [4302T1-5V](#) [4306D23](#) [4363D1/5](#) [WP1503SRC/J4](#) [WP153GDT](#)