



ELECTRONICS, INC.  
 44 FARRAND STREET  
 BLOOMFIELD, NJ 07003  
 (973) 748-5089  
<http://www.nteinc.com>

## NTE30116 IR LED Emitter, 940nm T-1 3/4 (5mm) Package

**Description:**

The NTE30116 is an infrared LED emitter in a T-1 3/4 (5mm) round head package with flange and a tinted blue lens.

**Features:**

- Chip Material: GaAlAs
- Lens: Tinted Blue
- Peak Wavelength: 940nm
- Viewing Angle: 20°

**Absolute Maximum Ratings:** ( $T_A = +25^\circ\text{C}$  unless otherwise specified)

Continuous Forward Current, $I_F$ .....	100mA
Peak Forward Current (Note 1), $I_{FP}$ .....	1A
Reverse Voltage, $V_R$ .....	5V
Power Dissipation ( $T_A = +25^\circ\text{C}$ ), $P_D$ .....	200mW
Operating Temperature Range, $T_{opr}$ .....	-40° to +85°C
Storage Temperature Range, $T_{stg}$ .....	-40° to +85°C
Lead Temperature (During Soldering, Note 2), $T_L$ .....	+260°C

Note 1. IFP Conditions: Pulse Width  $\leq 100\mu\text{s}$ , Duty Cycle  $\leq 1\%$

Note 2. Soldering time  $\leq 5$  seconds.

**Electrical/Optical Characteristics:** ( $T_A = +25^\circ\text{C}$  unless otherwise specified)

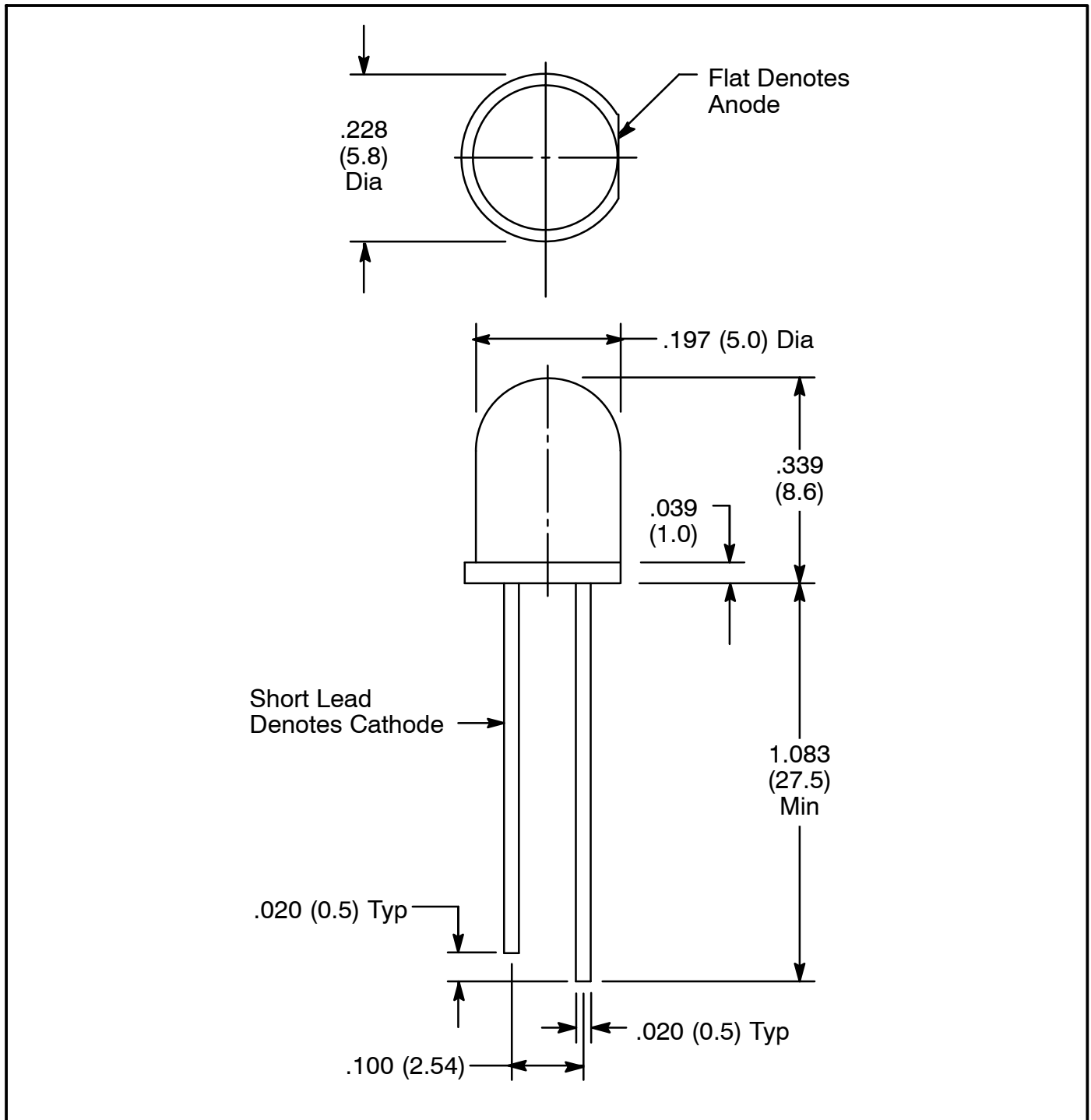
Parameter	Symbol	Test Conditions	Min	Typ	Max	Unit
Radiant Intensity	$I_E$	$I_F = 20\text{mA}$	10	-	20	mW/sr
		$I_F = 100\text{mA}$	70	80	90	mW/sr
		$I_F = 1\text{A}$	-	200	-	mW/sr
Peak Wavelength	$\lambda_P$	$I_F = 20\text{mA}$	-	940	-	nm
Spectral Bandwidth	$\Delta\lambda$	$I_F = 20\text{mA}$	-	45	-	nm
Forward Voltage	$V_F$	$I_F = 20\text{mA}$	1.2	-	1.4	V
		$I_F = 100\text{mA}$	1.4	-	1.8	V
		$I_F = 1\text{A}$	2.6	-	4.0	V
Reverse Current	$I_R$	$V_R = 5\text{V}$	-	-	5	$\mu\text{A}$
Viewing Angle	20 1/2	$I_F = 20\text{mA}$	-	20	-	deg

Note 1. IFP Conditions: Pulse Width  $\leq 100\mu\text{s}$ , Duty Cycle  $\leq 1\%$



### Instructions, Lead Forming:

1. During lead formation, the leads should be bent at a point at least 3mm away from the base of the epoxy bulb.
2. Lead forming should be done before soldering.
3. Avoid stressing the LED package during lead forming. The stress to the base may damage the LED's characteristics or it may break the LEDs.
4. Cut the LED leadframes at room temperature. Cutting the leadframes at high temperatures may cause failure of the LEDs.
5. When mounting the LEDs onto a PCB, the PCB holes must be aligned exactly with the lead position of the LED. If the LEDs are mounted with stress at the leads, it causes deterioration of the epoxy resin and this will degrade the LEDs.



## X-ON Electronics

Largest Supplier of Electrical and Electronic Components

*Click to view similar products for [Infrared Emitters](#) category:*

*Click to view products by [NTE manufacturer](#):*

Other Similar products are found below :

[LTE-309](#) [LTE-3279K](#) [LTE-4206C](#) [LTE-4208C](#) [EAILP03RDAA6](#) [IR333C](#) [LTE-2871C](#) [LTE-4238](#) [ASDL-4264-C22](#) [OED-EL305F4C50-HT](#)  
[OP216-004](#) [LTE-3376](#) [EEL109](#) [HL-PST-1608IR1C-L4](#) [MHT155IRRCT](#) [SFH 7016](#) [SFH 7015](#) [IN-S126ETIR](#) [IN-S126DSHIR](#) [IN-](#)  
[S126ETHIR](#) [IN-P32ZTHIR](#) [IN-S42CTQHIR](#) [IN-S126BTHIR](#) [IN-S63DTHIR](#) [IN-S85BTHIR](#) [IN-S63FTHIR](#) [EAIST3535A4](#) [MHT153IRCT](#)  
[MHS153IRCT](#) [IR533C](#) [RE30A6-IRT-FS](#) [RE30A6-IRX-FS](#) [RE30AX-IRT-FS](#) [RE30AX-IRX-FS](#) [RF-E30A3-IRX-FS](#) [RF-E30A5-IRT-FS](#) [RF-](#)  
[E30AX-IRT-FS](#) [RF-P28A3-IRN-FT](#) [RF-P28A6-IRN-FT](#) [RF-P42D6-IPJ-FT](#) [RF-P42D6-IPL-FT](#) [RF-P43D6-IPL-FT](#) [RF-P43D6-IPN-FT](#)  
[HIR204C/H0](#) [HIR323C](#) [LTE-209](#) [HSDL-4400#011](#) [IR12-21C/TR8](#) [IR17-21C/TR8](#) [IR26-21C/L110/TR8](#)