



ELECTRONICS, INC.
 44 FARRAND STREET
 BLOOMFIELD, NJ 07003
 (973) 748-5089
<http://www.nteinc.com>

NTE30121 5mm LED Indicator UVA/Purple, Clear Lens

Features:

- Low Power Consumption
- High Efficiency
- Versatile Mounting on P.C. Board or Panel
- Low Current Requirement
- Reliable and Robust

Applications:

- TV Sets
- Monitor
- Telephone
- Computer
- Circuit Board

Absolute Maximum Ratings: ($T_A = +25^\circ\text{C}$ unless otherwise specified)

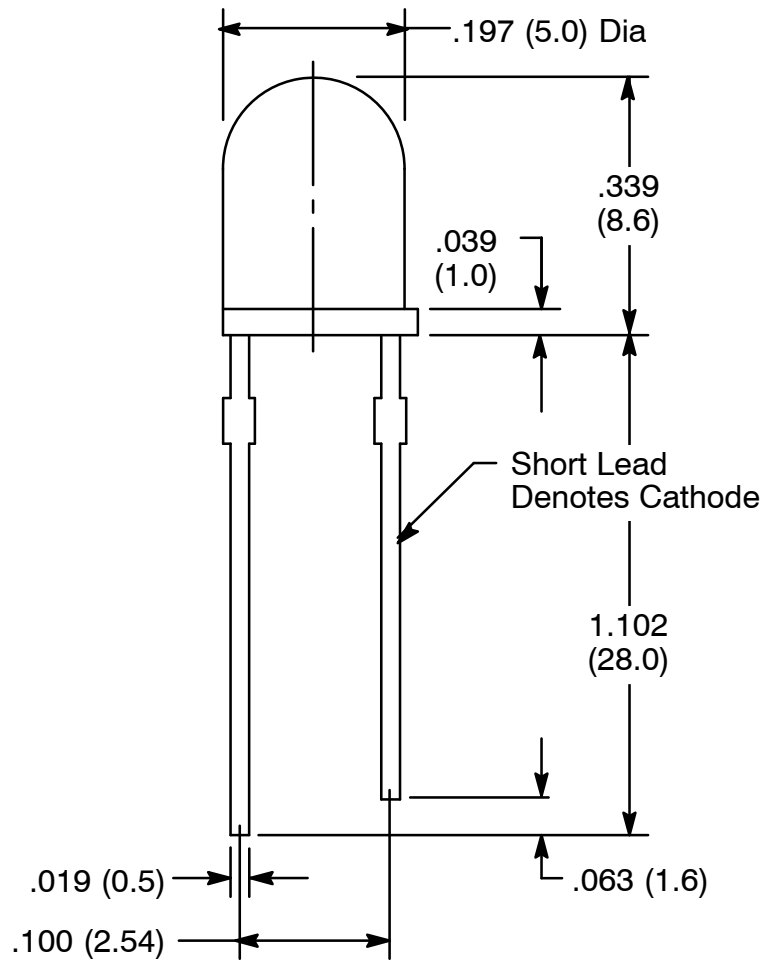
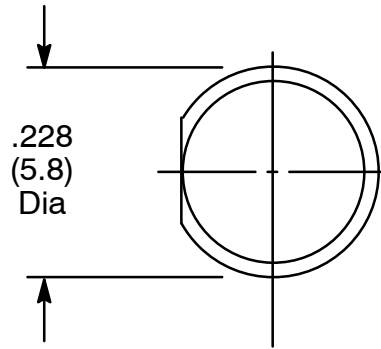
Power Dissipation, P_D	80mW
Peak Forward Current (1/10th Duty Cycle, 0.1ms Pulse Width), I_{FM}	100mA
Continuous Forward Current, I_F	30mA
Derating Linear from $+30^\circ\text{C}$	0.8mA/ $^\circ\text{C}$
Reverse Voltage, V_R	5V
Operating Temperature Range, T_{opr}	-20° to $+80^\circ\text{C}$
Storage Temperature Range, T_{stg}	-30° to $+100^\circ\text{C}$
Lead Temperature (During Soldering, 1.6mm from Body, 5sec Max), T_L	$+260^\circ\text{C}$

Electrical Optical Characteristics: ($T_A = +25^\circ\text{C}$ unless otherwise specified)

Parameter	Symbol	Test Conditions	Min	Typ	Max	Unit
Luminous Intensity	I_V	$I_F = 20\text{mA}$	250	300	350	mcd
View Angle of Half Power	$2 \theta_{1/2}$		-	20	-	deg
Peak Emission Wavelength	λ_p		390	395	400	nm
Forward Voltage	V_F	$I_F = 20\text{mA}$	3.0	-	4.0	V

Rev. 3-21





X-ON Electronics

Largest Supplier of Electrical and Electronic Components

Click to view similar products for [NTE manufacturer](#):

Other Similar products are found below :

[02-LDR1](#) [02-LDR12](#) [02-LDR13](#) [02-LDR14](#) [02-LDR15](#) [02-LDR2](#) [02-LDR20](#) [02-LDR21](#) [02-LDR22](#) [02-LDR23](#) [02-LDR3](#) [02-LDR4](#) [02-N101-1](#) [02-N103-1](#) [04-04180](#) [04-06100SS](#) [04-ACC10](#) [04-ACC20](#) [04-ACC30](#) [04-ACC40](#) [04-CCL3129](#) [04-CW07-50](#) [04-CW14-50](#) [04-ES-1000](#) [04-ESNF1000-10](#) [04-ESNF-1000L](#) [04-ESNF-250L](#) [04-ESNF-375L](#) [04-MP10009](#) [04-SCBW19L-GR](#) [04-SCBW25L-BK](#) [04-SCBW25L-GR](#) [04-SCBW25L-WH](#) [04-SCBW32L-BK](#) [04-SCBW32L-GR](#) [04-SCBW32L-OR](#) [04-SCBW32L-WH](#) [04-SCBW50L-GR](#) [04-SCBW50L-OR](#) [04-SCBW6C-GR](#) [04-SCBW6C-OR](#) [04-SCBW6C-WH](#) [04-SCW10C-BK](#) [04-SCW10C-GR](#) [04-SCW10C-OR](#) [04-SCW19L-OR](#) [04-SCW5C-WH](#) [04-SL1.00-G](#) [04-SL1.00-G-10](#) [04-SL1.00-G-5](#)