



ELECTRONICS, INC.
 44 FARRAND STREET
 BLOOMFIELD, NJ 07003
 (973) 748-5089
<http://www.nteinc.com>

NTE30123 Super Bright LED Indicator UV/Super Purple, 8mm

Features:

- Low Power Consumption
- High Efficiency
- Versatile Mounting on P.C. Board or Panel
- Low Current Requirement
- Reliable and Robust

Applications:

- TV Sets
- Monitor
- Telephone
- Computer
- Circuit Board

Absolute Maximum Ratings: ($T_A = +25^\circ\text{C}$ unless otherwise specified)

Power Dissipation, P_D	120mW
Peak Forward Current (1/10th Duty Cycle, 0.1ms Pulse Width), I_{FM}	100mA
Continuous Forward Current, I_F	20mA
Reverse Voltage, V_R	5V
Operating Temperature Range, T_{opr}	-35° to $+85^\circ\text{C}$
Storage Temperature Range, T_{stg}	-40° to $+100^\circ\text{C}$
Lead Temperature (During Soldering, 3mm from Body, 5sec Max), T_L	$+260^\circ\text{C}$

Electrical Optical Characteristics: ($T_A = +25^\circ\text{C}$ unless otherwise specified)

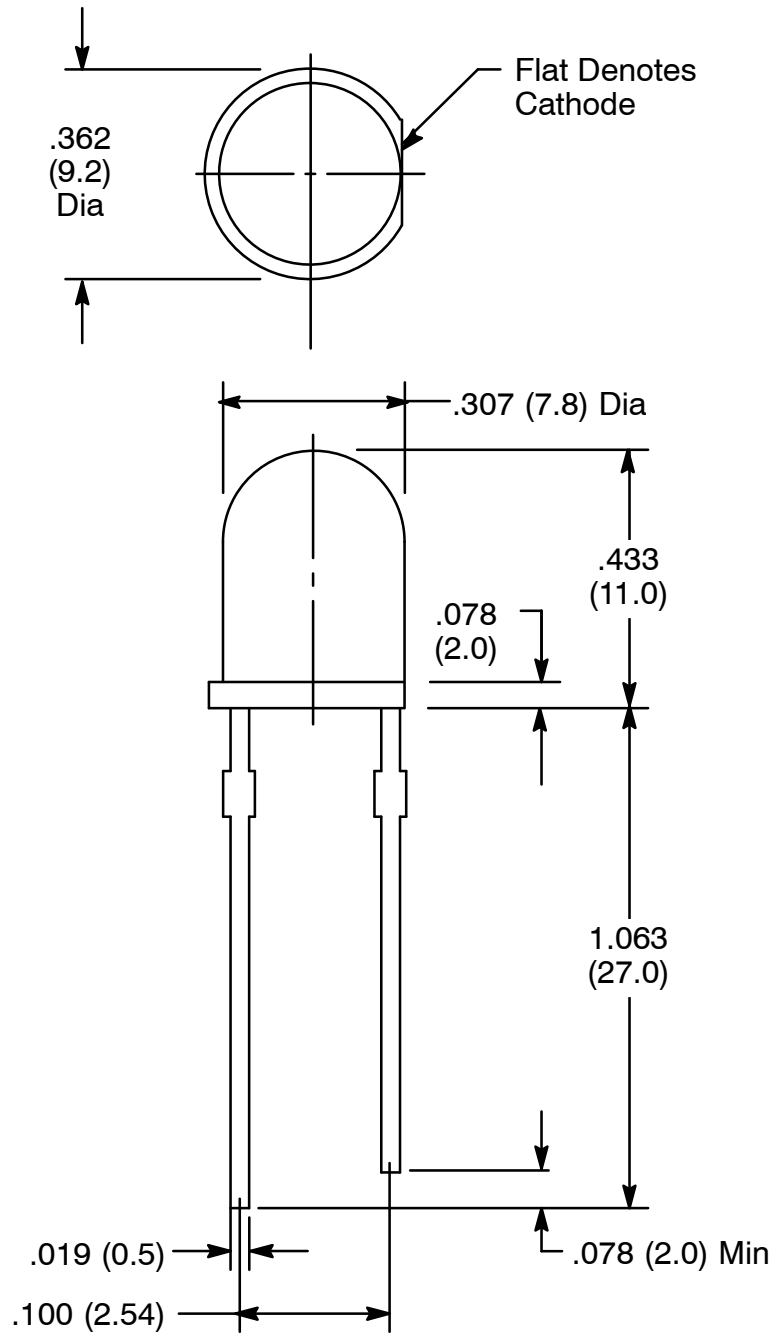
Parameter	Symbol	Test Conditions	Min	Typ	Max	Unit
Luminous Intensity	I_V	$I_F = 20\text{mA}$	150	190	–	mcd
View Angle of Half Power	$2 \theta_{1/2}$	$I_F = 20\text{mA}$	–	25	–	deg
Peak Emission Wavelength	λ_P	$I_F = 20\text{mA}$	–	400	–	nm
Dominant Emission Wavelength	λ_d	$I_F = 20\text{mA}$	–	–	–	nm
Full Width at Half Max	$\Delta\lambda$	$I_F = 20\text{mA}$	–	13.3	–	nm
Forward Voltage	V_F	$I_F = 20\text{mA}$	3.2	3.3	4.0	V
Reverse Current	I_R	$V_R = 5\text{V}$	–	–	10	μA

Note 1. Luminous intensity is measured with a light sensor and filter combination that approximates the CIE eye-response curve.

Note 2. $\theta_{1/2}$ is the off-axis angle at which the luminous intensity is half the axial luminous intensity.

Note 3. The dominant wavelength (λ_d) is derived from the CIE chromaticity diagram and represents the single wavelength, which defines the color of the device.





X-ON Electronics

Largest Supplier of Electrical and Electronic Components

Click to view similar products for [NTE manufacturer](#):

Other Similar products are found below :

[5W127](#) [5W5D0](#) [5WD10](#) [747](#) [797](#) [868](#) [R04-11A30-24](#) [RIM-IAC5](#) [1724](#) [NEH100M6.3BA](#) [NEH1.0M63AA](#) [NEH.33M100AA](#)
[NEH3.3M100BA](#) [NEH.47M100AA](#) [NEH680M100GF](#) [NEHH1.0M450CB](#) [NEHH4.7M160BB](#) [NEV.33M100AA](#) [NEVH1.0M160AA](#)
[NEVH1.0M250AB](#) [NEVH3.3M250BB](#) [NEVH3.3M450CC](#) [NTE131](#) [NTE1389](#) [NTE1396](#) [NTE1416](#) [NTE1728](#) [NTE1751](#) [NTE1759](#)
[NTE1780](#) [NTE1813](#) [NTE1837](#) [NTE1845](#) [NTE1863](#) [NTE1872](#) [NTE187A](#) [NTE1897](#) [NTE1915](#) [NTE1964](#) [NTE2085](#) [NTE226](#) [NTE2323](#)
[NTE233](#) [NTE2409](#) [NTE2540](#) [NTE369](#) [NTE48](#) [NTE5156A](#) [NTE526A](#) [NTE5524](#)