



ELECTRONICS, INC.
 44 FARRAND STREET
 BLOOMFIELD, NJ 07003
 (973) 748-5089
<http://www.nteinc.com>



NTE30126 Super Bright LED Indicator Ultra Bright Pink, 5mm

Features:

- Low Power Consumption
- High Efficiency
- Versatile Mounting on P.C. Board or Panel
- Low Current Requirement
- Reliable and Robust

Applications:

- TV Sets
- Monitor
- Telephone
- Computer
- Circuit Board

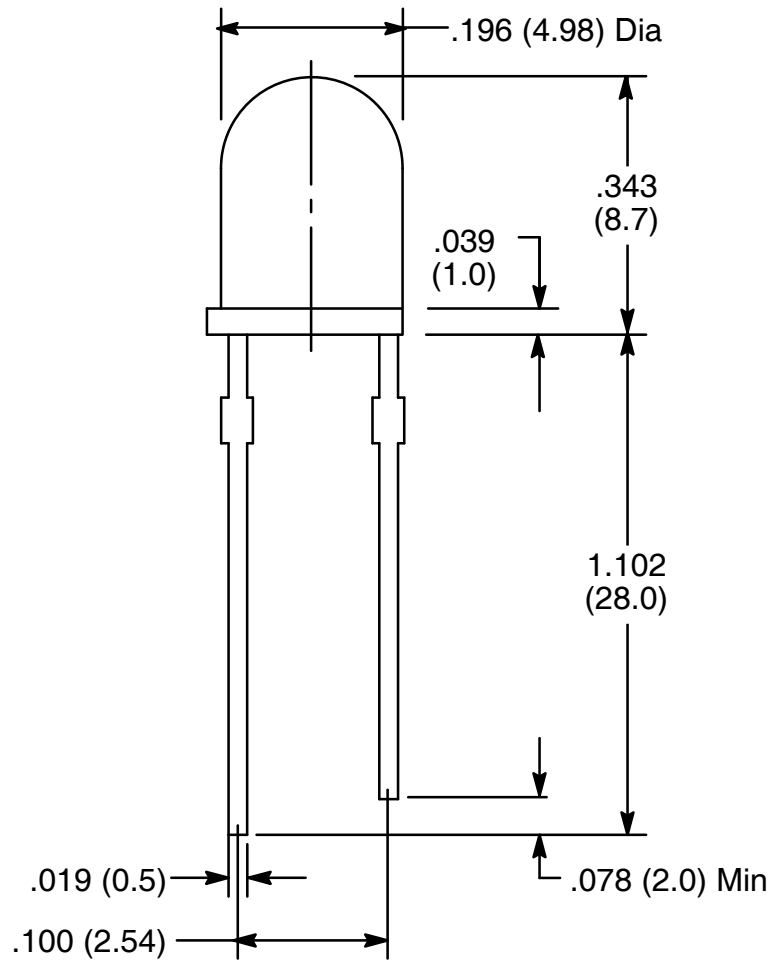
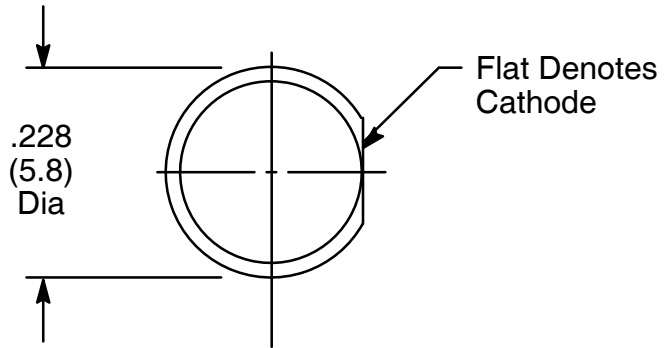
Absolute Maximum Ratings: ($T_A = +25^\circ\text{C}$ unless otherwise specified)

Power Dissipation, P_D	70mW
Peak Forward Current (1/10th Duty Cycle, 0.1ms Pulse Width), I_{FM}	20mA
Continuous Forward Current, I_F	30mA
Reverse Voltage, V_R	5V
Operating Temperature Range, T_{opr}	-40° to $+85^\circ\text{C}$
Storage Temperature Range, T_{stg}	-40° to $+100^\circ\text{C}$
Lead Temperature (During Soldering, 3mm from Body, 5sec Max), T_L	$+260^\circ\text{C}$

Electrical Optical Characteristics: ($T_A = +25^\circ\text{C}$ unless otherwise specified)

Parameter	Symbol	Test Conditions	Min	Typ	Max	Unit	
Luminous Intensity	I_V	$I_F = 20\text{mA}$		2500	-	mcd	
View Angle of Half Power	$2 \theta_{1/2}$	$I_F = 20\text{mA}$	-	35	-	deg	
Dominant Emission Wavelength	λ_d	$I_F = 20\text{mA}$	X	0.31	-	0.39	nm
			Y	0.19	-	0.27	nm
Forward Voltage	V_F	$I_F = 20\text{mA}$	3.0	3.45	3.8	V	
Reverse Current	I_R	$V_R = 5\text{V}$	-	-	10	μA	

- Note 1. Luminous intensity is measured with a light sensor and filter combination that approximates the CIE eye-response curve.
- Note 2. $\theta_{1/2}$ is the off-axis angle at which the luminous intensity is half the axial luminous intensity.
- Note 3. The dominant wavelength (λ_d) is derived from the CIE chromaticity diagram and represents the single wavelength, which defines the color of the device.



X-ON Electronics

Largest Supplier of Electrical and Electronic Components

Click to view similar products for [Standard LEDs - Through Hole category](#):

Click to view products by [NTE manufacturer](#):

Other Similar products are found below :

[LTL-10234W](#) [LTL-10254W](#) [LTL-1214A](#) [LTL-2231AT](#) [LTL-3251A](#) [LTL-4262N](#) [LTL-433P](#) [LTL-5234](#) [LTL87HTBK](#) [LTW-87HD4B](#)
[HLMP-3507-D00B1](#) [HLMP-EL30-PS0DD](#) [1L0532V23G0TD001](#) [NSPW500CS](#) [NTE30036](#) [NTE30044](#) [NTE30059](#) [LD CQDP-1U3U-W5-1-K](#) [LO566UHR3-70G-A3](#) [LP379PPG1C0G0300001](#) [SLX-LX3044GD](#) [SLX-LX3044ID](#) [SLX-LX3044YD](#) [1.90690.3330000](#) [SSS-LX4673ID-410B](#) [1L0532Y24I0TD001](#) [264-7SYGD/S530-E2](#) [HLMP1385](#) [LTL-10224W](#) [LTL-1224A](#) [LTL-1234A](#) [LTL-1BEHJ-012](#) [LTL-2251AT](#) [LTL-307YE-012](#) [LTL-403HR](#) [LTL-4222](#) [LU7-E-B](#) [4380H1](#) [TLHY44K1L2](#) [HLMP-3962-F0002](#) [HLMP-GG15-R0000](#) [323-2SURD/S530-A3](#)
[L53SRC/E-Z](#) [L-7679C1ZGC](#) [4302T1-5V](#) [4306D23](#) [4363D1/5](#) [WP1503SRC/J4](#) [WP153GDT](#) [WP153YDT](#)