



ELECTRONICS, INC.
 44 FARRAND STREET
 BLOOMFIELD, NJ 07003
 (973) 748-5089
<http://www.nteinc.com>



NTE30128 LED Indicator Ultraviolet, 5mm

Features:

- Low Power Consumption
- High Efficiency
- Low Current Requirement
- Reliable and Robust
- Water Clear

Applications:

- Currency Inspection
- Counterfeit Detection
- Sterilization
- UV Curing Applications
- Gel Nail Polish Curing
- 3D Printing
- Pesticide Detection
- Mineral Display Cases

Absolute Maximum Ratings: ($T_A = +25^{\circ}\text{C}$ unless otherwise specified)

Power Dissipation, P_D	100mW
Peak Forward Current (1/10th Duty Cycle, 0.1ms Pulse Width), I_{FM}	200mA
Continuous Forward Current, I_F	20mA
Reverse Voltage, V_R	5V
Operating Temperature Range, T_{opr}	-40° to $+80^{\circ}\text{C}$
Storage Temperature Range, T_{stg}	-40° to $+80^{\circ}\text{C}$
Lead Temperature (During Soldering, 4mm from Body, 5sec Max), T_L	$+260^{\circ}\text{C}$

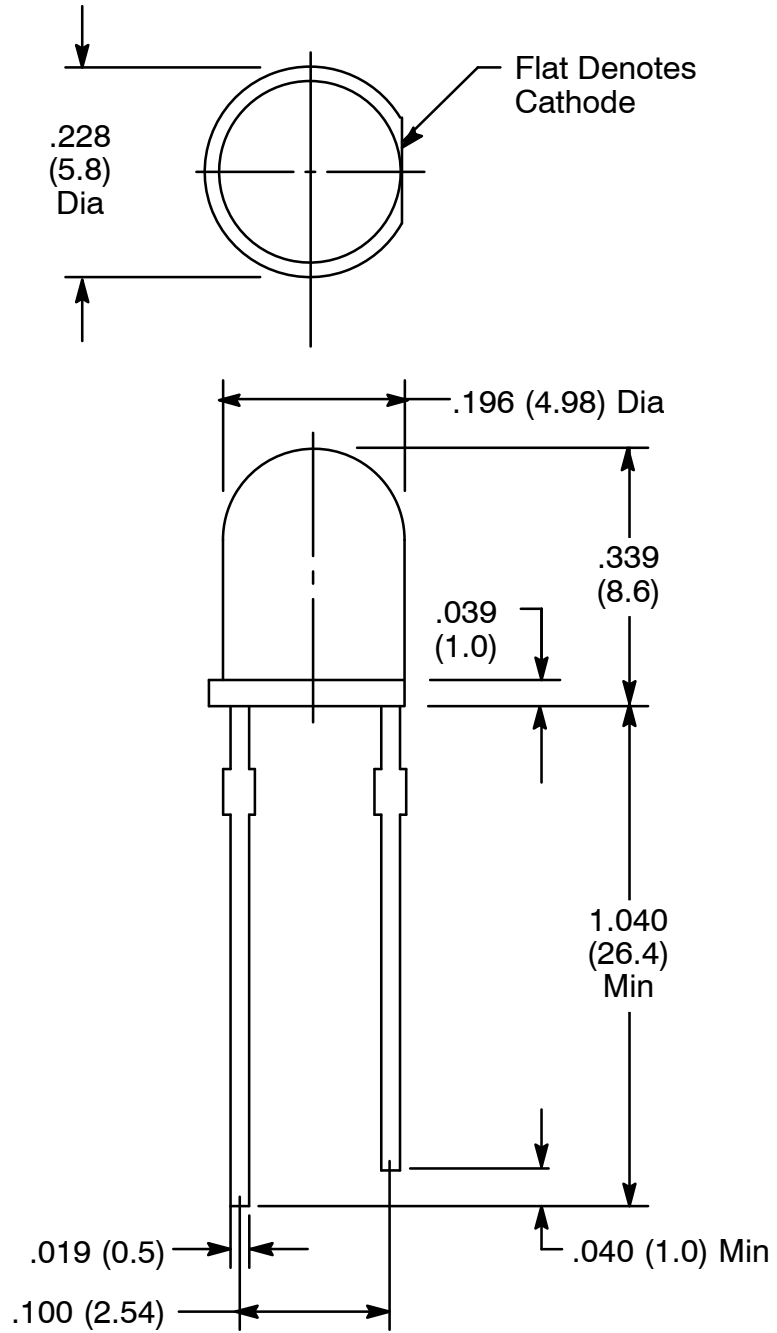
CAUTION: UV light can be harmful to the eyes even for a brief period. If it is necessary to view UV light, filtered glasses must be used. Affix a caution label if the UV light in your product can be viewed directly.

Electrical Optical Characteristics: ($T_A = +25^{\circ}\text{C}$ unless otherwise specified)

Parameter	Symbol	Test Conditions	Min	Typ	Max	Unit
Luminous Intensity	I_V	$I_F = 20\text{mA}$, Note 1	50	60	-	mcd
View Angle	θ	Note 2	-	30	-	deg
Peak Emission Wavelength	λ_p	$I_F = 20\text{mA}$	-	390	-	nm
Spectral Line Half-Width	$\Delta\lambda$	$I_F = 20\text{mA}$	-	30	-	nm
Forward Voltage	V_F	$I_F = 20\text{mA}$	2.9	3.3	3.6	V
Reverse Current	I_R	$V_R = 5\text{V}$	-	-	10	μA

Note 1. Luminous intensity is measured with a light sensor and filter combination that approximates the CIE eye-response curve.

Note 2. $\theta_{1/2}$ is the off-axis angle at which the luminous intensity is half the axial luminous intensity.



X-ON Electronics

Largest Supplier of Electrical and Electronic Components

Click to view similar products for [NTE manufacturer](#):

Other Similar products are found below :

[02-LDR1](#) [02-LDR12](#) [02-LDR13](#) [02-LDR14](#) [02-LDR15](#) [02-LDR2](#) [02-LDR20](#) [02-LDR21](#) [02-LDR22](#) [02-LDR23](#) [02-LDR3](#) [02-LDR4](#) [02-N101-1](#) [02-N103-1](#) [04-04180](#) [04-06100SS](#) [04-ACC10](#) [04-ACC20](#) [04-ACC30](#) [04-ACC40](#) [04-CCL3129](#) [04-CW07-50](#) [04-CW14-50](#) [04-ES-1000](#) [04-ESNF1000-10](#) [04-ESNF-1000L](#) [04-ESNF-250L](#) [04-ESNF-375L](#) [04-MP10009](#) [04-SCBW19L-GR](#) [04-SCBW25L-BK](#) [04-SCBW25L-GR](#) [04-SCBW25L-WH](#) [04-SCBW32L-BK](#) [04-SCBW32L-GR](#) [04-SCBW32L-OR](#) [04-SCBW32L-WH](#) [04-SCBW50L-GR](#) [04-SCBW50L-OR](#) [04-SCBW6C-GR](#) [04-SCBW6C-OR](#) [04-SCBW6C-WH](#) [04-SCW10C-BK](#) [04-SCW10C-GR](#) [04-SCW10C-OR](#) [04-SCW19L-OR](#) [04-SCW5C-WH](#) [04-SL1.00-G](#) [04-SL1.00-G-10](#) [04-SL1.00-G-5](#)