



ELECTRONICS, INC.
 44 FARRAND STREET
 BLOOMFIELD, NJ 07003
 (973) 748-5089
<http://www.nteinc.com>

NTE30130 Infrared Emitting Diode for Remote Control and Night Vision Applications 8mm Type Package

Features:

- High Reliability
- Low-Voltage Characteristics
- Narrow Viewing Angle
- Gallium Aluminum Arsenide
- Water Clear Lens

Absolute Maximum Ratings: ($T_A = +25^\circ\text{C}$ unless otherwise specified)

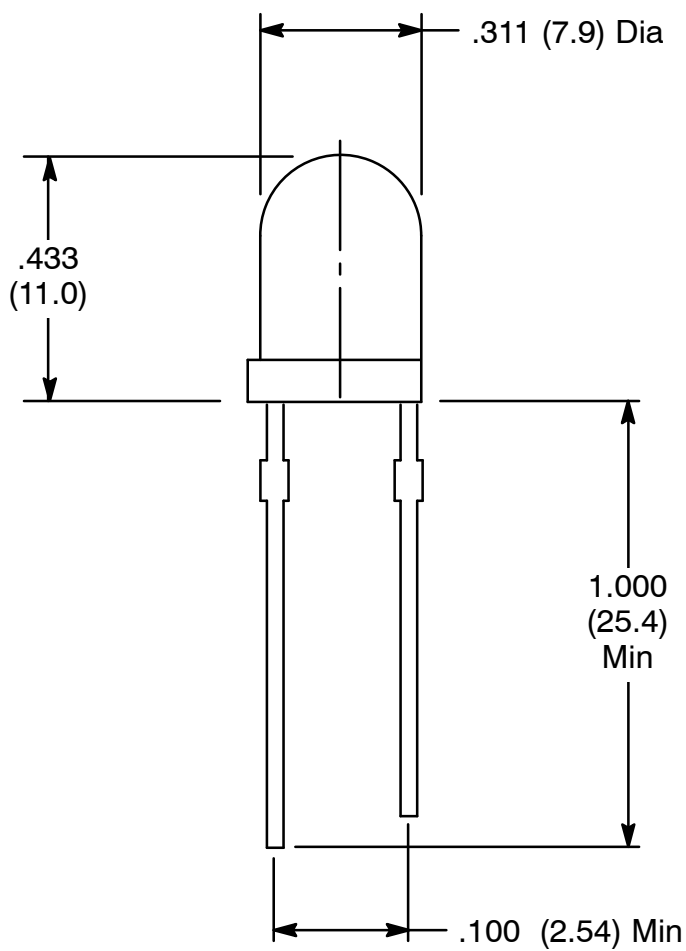
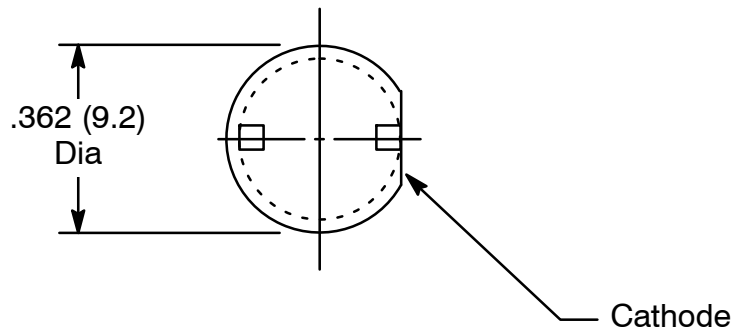
Power Dissipation (Per Chip), P_D	150mW
Reverse Voltage (Per Chip), V_R	5V
Forward Current (Per Chip), I_F	
Continuous	100mA
Peak ($F = 1\text{kHz}$, Duty Ratio = 0.1%)	1A
Operating Temperature Range, T_{opr}	-25° to $+85^\circ\text{C}$
Storage Temperature Range, T_{stg}	-25° to $+85^\circ\text{C}$

Note 1. IFP Condition: Pulse Width $\leq 10\text{ms}$, Duty Cycle = 10%.

Electrical Characteristics: ($T_A = +25^\circ\text{C}$ unless otherwise specified)

Parameter	Symbol	Test Conditions	Min	Typ	Max	Unit
Forward Voltage	V_F	$I_F = 20\text{mA}$	1.1	-	1.4	V
		$I_F = 100\text{mA}$	-	1.3	1.6	V
Reverse Current	I_R	$V_R = 5\text{V}$	-	-	10	μA
Peak Emission Wavelength	λ_p	$I_F = 20\text{mA}$	-	940	-	nm
Half Intensity Angle	$2\theta_{1/2}$	$I_F = 20\text{mA}$	-	50	-	degree
Radiant Intensity	I_E	$I_F = 20\text{mA}$	-	15	-	mw/sr
		$I_F = 100\text{mA}$	-	60	-	mw/sr
Junction Capacity	C_j	$V_R = 0\text{V}$, $f = 1\text{MHz}$	-	50	-	pF
Rise/Fall Time	t_r/t_f	$I_{FP} = 100\text{mA}$, $f = 1\text{kHz}$, $t_p/T = 1\%$	-	1	-	ns





X-ON Electronics

Largest Supplier of Electrical and Electronic Components

Click to view similar products for [NTE manufacturer](#):

Other Similar products are found below :

[5W127](#) [5W5D0](#) [5WD10](#) [747](#) [797](#) [868](#) [R04-11A30-24](#) [RIM-IAC5](#) [1724](#) [NEH100M6.3BA](#) [NEH1.0M63AA](#) [NEH.33M100AA](#)
[NEH3.3M100BA](#) [NEH.47M100AA](#) [NEH680M100GF](#) [NEHH1.0M450CB](#) [NEHH4.7M160BB](#) [NEV.33M100AA](#) [NEVH1.0M160AA](#)
[NEVH1.0M250AB](#) [NEVH3.3M250BB](#) [NEVH3.3M450CC](#) [NTE131](#) [NTE1389](#) [NTE1396](#) [NTE1416](#) [NTE1728](#) [NTE1751](#) [NTE1759](#)
[NTE1780](#) [NTE1813](#) [NTE1837](#) [NTE1845](#) [NTE1863](#) [NTE1872](#) [NTE187A](#) [NTE1897](#) [NTE1915](#) [NTE1964](#) [NTE2085](#) [NTE226](#) [NTE2323](#)
[NTE233](#) [NTE2409](#) [NTE2540](#) [NTE369](#) [NTE48](#) [NTE5156A](#) [NTE526A](#) [NTE5524](#)