



**ELECTRONICS, INC.**  
 44 FARRAND STREET  
 BLOOMFIELD, NJ 07003  
 (973) 748-5089  
<http://www.nteinc.com>

## NTE30135 thru NTE30139 Super Bright LED Indicators 5mm, Bullet Head Type

**Features:**

- Low Power Consumption
- High Efficiency
- General Purpose Leads
- High Intensity
- All 5mm Bullet Head Super Bright Types w/Water Clear Lens:
  - NTE30135 (Yellow Green, AlGaInP)
  - NTE30136 (Yellow, AlGaInP)
  - NTE30137 (Red, AlGaInP)
  - NTE30138 (Blue, InGaN)
  - NTE30139 (White, InGaN)

**Absolute Maximum Ratings:** ( $T_A = +25^\circ\text{C}$  unless otherwise specified)

|   |       |                                     |
|---|-------|-------------------------------------|
| Power Dissipation, $P_D$  |       |                                     |
| NTE30135, NTE30136, NTE30137  | ..... | 75mW                                |
| NTE30138, NTE30139  | ..... | 90mW                                |
| Peak Forward Current (1/10th Duty Cycle, 0.1ms Pulse Width), $I_{FM}$ | ..... | 100mA                               |
| Continuous Forward Current, $I_F$                                     |       |                                     |
| NTE30135, NTE30136, NTE30137  | ..... | 30mA                                |
| NTE30138, NTE30139  | ..... | 25mA                                |
| Derating Linear from $+50^\circ\text{C}$                              | ..... | $0.4\text{mA}/^\circ\text{C}$       |
| Reverse Voltage, $V_R$  | ..... | 5V                                  |
| Operating Temperature Range, $T_{opr}$                                | ..... | $-40^\circ$ to $+85^\circ\text{C}$  |
| Storage Temperature Range, $T_{stg}$                                  | ..... | $-40^\circ$ to $+100^\circ\text{C}$ |
| Lead Temperature (During Soldering, 4mm from Body, 5sec Max), $T_L$   | ..... | $+260^\circ\text{C}$                |

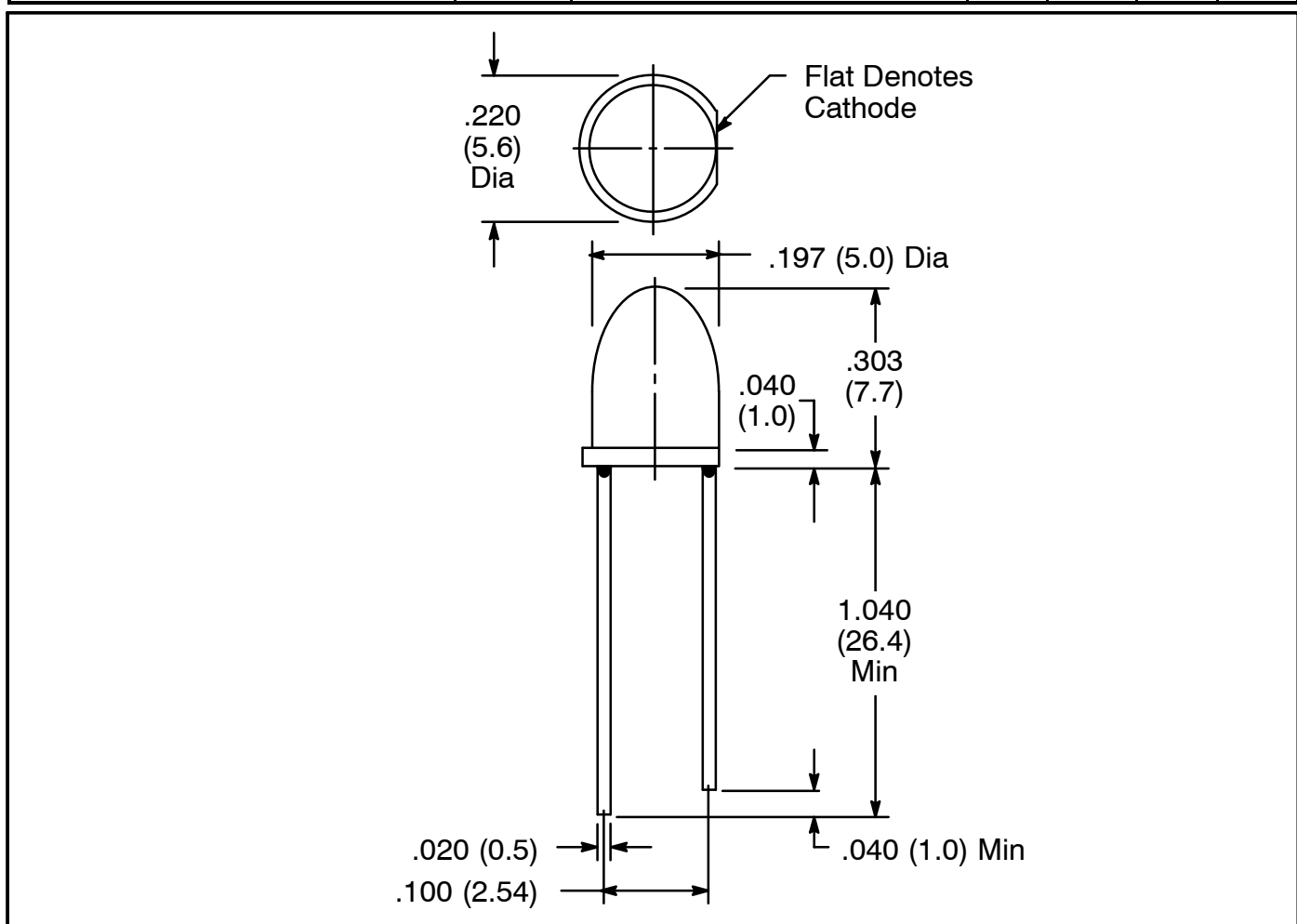
**Electrical Optical Characteristics:** ( $T_A = +25^\circ\text{C}$  unless otherwise specified)

| Parameter   | Symbol           | Test Conditions     | Min | Typ  | Max | Unit |
|---|------------------|---------------------|-----|------|-----|------|
| Luminous Intensity                                  | $I_V$            | $I_F = 20\text{mA}$ | 600 | 1000 | -   | mcd  |
| NTE30135  |                  |                     |     |      |     |      |
| NTE30136  |                  |                     |     |      |     |      |
| NTE30137  |                  |                     |     |      |     |      |
| NTE30138  |                  |                     |     |      |     |      |
| NTE30139  |                  |                     |     |      |     |      |
| View Angle of Half Power                            | $2 \theta_{1/2}$ | $I_F = 20\text{mA}$ | -   | 6    | -   | deg  |
| Chromaticity Coordinates<br>(NTE30139 <b>ONLY</b> ) | X                | $I_F = 20\text{mA}$ | -   | 0.29 | -   |      |
|   | Y                |                     | -   | 0.29 | -   |      |
| Color Temperature (NTE30139 <b>ONLY</b> )           | CCT              | $I_F = 20\text{mA}$ | -   | 9500 | -   | K    |



**Electrical Optical Characteristics (Cont'd):** ( $T_A = +25^\circ\text{C}$  unless otherwise specified)

| Parameter                                      | Symbol          | Test Conditions     | Min | Typ | Max | Unit          |
|--|-----------------|---------------------|-----|-----|-----|---------------|
| Peak Emission Wavelength<br>NTE30135           | $\lambda_p$     | $I_F = 20\text{mA}$ | -   | 565 | -   | nm            |
| NTE30136                                       |                 |                     | -   | 591 | -   | nm            |
| NTE30137                                       |                 |                     | -   | 630 | -   | nm            |
| NTE30138                                       |                 |                     | -   | 470 | -   | nm            |
| Dominant Emission Wavelength<br>NTE30135       | $\lambda_d$     | $I_F = 20\text{mA}$ | 566 | 570 | 573 | nm            |
| NTE30136                                       |                 |                     | 586 | 590 | 592 | nm            |
| NTE30137                                       |                 |                     | 618 | 622 | 627 | nm            |
| NTE30138                                       |                 |                     | 464 | 470 | 473 | nm            |
| Spectral Line Half-Width<br>NTE30135, NTE30136 | $\Delta\lambda$ | $I_F = 20\text{mA}$ | -   | 20  | -   | nm            |
| NTE30137                                       |                 |                     | -   | 15  | -   | nm            |
| NTE30138                                       |                 |                     | -   | 30  | -   | nm            |
| Forward Voltage<br>NTE30135                    | $V_F$           | $I_F = 20\text{mA}$ | 1.8 | 2.1 | 2.5 | V             |
| NTE30136, NTE30137                             |                 |                     | 1.8 | 2.0 | 2.4 | V             |
| NTE30138                                       |                 |                     | 2.8 | 3.0 | 3.4 | V             |
| NTE30139                                       |                 |                     | 2.8 | 3.0 | 3.2 | V             |
| Reverse Current                                | $I_R$           | $V_R = 5\text{V}$   | -   | -   | 10  | $\mu\text{A}$ |



## X-ON Electronics

Largest Supplier of Electrical and Electronic Components

*Click to view similar products for [Standard LEDs - Through Hole category](#):*

*Click to view products by [NTE manufacturer](#):*

Other Similar products are found below :

[LTL-10234W](#) [LTL-10254W](#) [LTL-1214A](#) [LTL-2231AT](#) [LTL-3251A](#) [LTL-4262N](#) [LTL-433P](#) [LTL-5234](#) [LTL87HTBK](#) [LTW-87HD4B](#)  
[HLMP-3507-D00B1](#) [HLMP-EL30-PS0DD](#) [1L0532V23G0TD001](#) [NSPW500CS](#) [NTE30036](#) [NTE30044](#) [NTE30059](#) [LD CQDP-1U3U-W5-1-K](#) [LO566UHR3-70G-A3](#) [LP379PPG1C0G0300001](#) [SLX-LX3044GD](#) [SLX-LX3044ID](#) [SLX-LX3044YD](#) [1.90690.3330000](#) [SSS-LX4673ID-410B](#) [1L0532Y24I0TD001](#) [264-7SYGD/S530-E2](#) [HLMP1385](#) [LTL-10224W](#) [LTL-1224A](#) [LTL-1234A](#) [LTL-1BEHJ-012](#) [LTL-2251AT](#) [LTL-307YE-012](#) [LTL-403HR](#) [LTL-4222](#) [LU7-E-B](#) [4380H1](#) [TLHY44K1L2](#) [HLMP-3962-F0002](#) [HLMP-GG15-R0000](#) [323-2SURD/S530-A3](#)  
[L53SRC/E-Z](#) [L-7679C1ZGC](#) [4302T1-5V](#) [4306D23](#) [4363D1/5](#) [WP1503SRC/J4](#) [WP153GDT](#) [WP153YDT](#)