



ELECTRONICS, INC.
 44 FARRAND STREET
 BLOOMFIELD, NJ 07003
 (973) 748-5089
<http://www.nteinc.com>

NTE30135 thru NTE30139 Super Bright LED Indicators 5mm, Bullet Head Type

Features:

- Low Power Consumption
- High Efficiency
- General Purpose Leads
- High Intensity
- All 5mm Bullet Head Super Bright Types w/Water Clear Lens:
 - NTE30135 (Yellow Green, AlGaInP)
 - NTE30136 (Yellow, AlGaInP)
 - NTE30137 (Red, AlGaInP)
 - NTE30138 (Blue, InGaN)
 - NTE30139 (White, InGaN)

Absolute Maximum Ratings: ($T_A = +25^\circ\text{C}$ unless otherwise specified)

Power Dissipation, P_D		
NTE30135, NTE30136, NTE30137	75mW
NTE30138, NTE30139	90mW
Peak Forward Current (1/10th Duty Cycle, 0.1ms Pulse Width), I_{FM}	100mA
Continuous Forward Current, I_F		
NTE30135, NTE30136, NTE30137	30mA
NTE30138, NTE30139	25mA
Derating Linear from $+50^\circ\text{C}$	$0.4\text{mA}/^\circ\text{C}$
Reverse Voltage, V_R	5V
Operating Temperature Range, T_{opr}	-40° to $+85^\circ\text{C}$
Storage Temperature Range, T_{stg}	-40° to $+100^\circ\text{C}$
Lead Temperature (During Soldering, 4mm from Body, 5sec Max), T_L	$+260^\circ\text{C}$

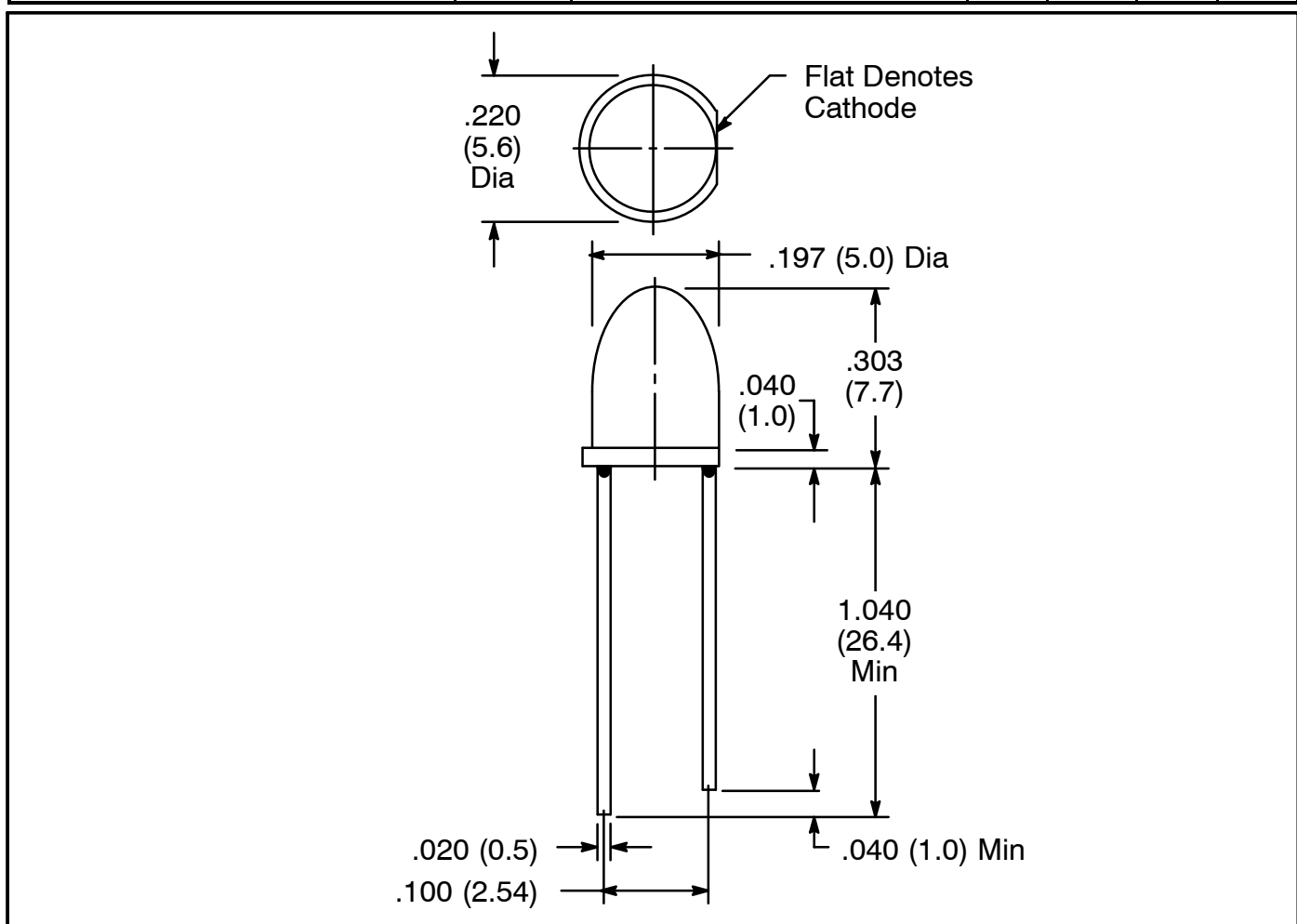
Electrical Optical Characteristics: ($T_A = +25^\circ\text{C}$ unless otherwise specified)

Parameter	Symbol	Test Conditions	Min	Typ	Max	Unit
Luminous Intensity	I_V	$I_F = 20\text{mA}$	600	1000	-	mcd
NTE30135						
NTE30136						
NTE30137						
NTE30138						
NTE30139						
View Angle of Half Power	$2 \theta_{1/2}$	$I_F = 20\text{mA}$	-	6	-	deg
Chromaticity Coordinates (NTE30139 ONLY)	X	$I_F = 20\text{mA}$	-	0.29	-	
	Y		-	0.29	-	
Color Temperature (NTE30139 ONLY)	CCT	$I_F = 20\text{mA}$	-	9500	-	K



Electrical Optical Characteristics (Cont'd): ($T_A = +25^\circ\text{C}$ unless otherwise specified)

Parameter	Symbol	Test Conditions	Min	Typ	Max	Unit
Peak Emission Wavelength NTE30135	λ_p	$I_F = 20\text{mA}$	-	565	-	nm
NTE30136			-	591	-	nm
NTE30137			-	630	-	nm
NTE30138			-	470	-	nm
Dominant Emission Wavelength NTE30135	λ_d	$I_F = 20\text{mA}$	566	570	573	nm
NTE30136			586	590	592	nm
NTE30137			618	622	627	nm
NTE30138			464	470	473	nm
Spectral Line Half-Width NTE30135, NTE30136	$\Delta\lambda$	$I_F = 20\text{mA}$	-	20	-	nm
NTE30137			-	15	-	nm
NTE30138			-	30	-	nm
Forward Voltage NTE30135	V_F	$I_F = 20\text{mA}$	1.8	2.1	2.5	V
NTE30136, NTE30137			1.8	2.0	2.4	V
NTE30138			2.8	3.0	3.4	V
NTE30139			2.8	3.0	3.2	V
Reverse Current	I_R	$V_R = 5\text{V}$	-	-	10	μA



X-ON Electronics

Largest Supplier of Electrical and Electronic Components

Click to view similar products for [Standard LEDs - Through Hole category](#):

Click to view products by [NTE manufacturer](#):

Other Similar products are found below :

[LTL-10234W](#) [LTL-10254W](#) [LTL-1214A](#) [LTL-2231AT](#) [LTL-3251A](#) [LTL-4262N](#) [LTL-433P](#) [LTL-5234](#) [LTL87HTBK](#) [LTW-87HD4B](#)
[HLMP-3507-D00B1](#) [HLMP-EL30-PS0DD](#) [1L0532V23G0TD001](#) [NSPW500CS](#) [NTE30036](#) [NTE30044](#) [NTE30059](#) [LD CQDP-1U3U-W5-1-K](#) [LO566UHR3-70G-A3](#) [LP379PPG1C0G0300001](#) [SLX-LX3044GD](#) [SLX-LX3044ID](#) [SLX-LX3044YD](#) [1.90690.3330000](#) [SSS-LX4673ID-410B](#) [1L0532Y24I0TD001](#) [264-7SYGD/S530-E2](#) [HLMP1385](#) [LTL-10224W](#) [LTL-1224A](#) [LTL-1234A](#) [LTL-1BEHJ-012](#) [LTL-2251AT](#) [LTL-307YE-012](#) [LTL-403HR](#) [LTL-4222](#) [LU7-E-B](#) [4380H1](#) [TLHY44K1L2](#) [HLMP-3962-F0002](#) [HLMP-GG15-R0000](#) [323-2SURD/S530-A3](#)
[L53SRC/E-Z](#) [L-7679C1ZGC](#) [4302T1-5V](#) [4306D23](#) [4363D1/5](#) [WP1503SRC/J4](#) [WP153GDT](#) [WP153YDT](#)