



**ELECTRONICS, INC.**  
 44 FARRAND STREET  
 BLOOMFIELD, NJ 07003  
 (973) 748-5089  
<http://www.nteinc.com>

## NTE30140 thru NTE30151 Discrete LED Indicators 3mm (T-1) Package Type

**Features:**

- All 3mm Types Available in Multiple Colors and Lens Types:

<u>Color</u>	<u>Water Clear</u>	<u>White Diffused</u>
Red	NTE30140	NTE30146
Green	NTE30141	NTE30147
Blue	NTE30142	NTE30148
White	NTE30143	NTE30149
Pink	NTE30144	NTE30150
UV/Purple	NTE30145	NTE30151

**Absolute Maximum Ratings:** ( $T_A = +25^\circ\text{C}$  unless otherwise specified)

Power Dissipation, $P_D$ .....	80mW
Peak Forward Current (1/10th Duty Cycle, 0.1ms Pulse Width), $I_{FM}$ .....	100mA
Continuous Forward Current, $I_F$ .....	25mA
Derating Linear from $+30^\circ\text{C}$ .....	0.8mA/ $^\circ\text{C}$
Reverse Voltage, $V_R$ .....	5V
Operating Temperature Range, $T_{opr}$ .....	$-20^\circ$ to $+80^\circ\text{C}$
Storage Temperature Range, $T_{stg}$ .....	$-30^\circ$ to $+100^\circ\text{C}$
Lead Temperature (During Soldering, 1.6mm from Body, 5sec Max), $T_L$ .....	$+260^\circ\text{C}$

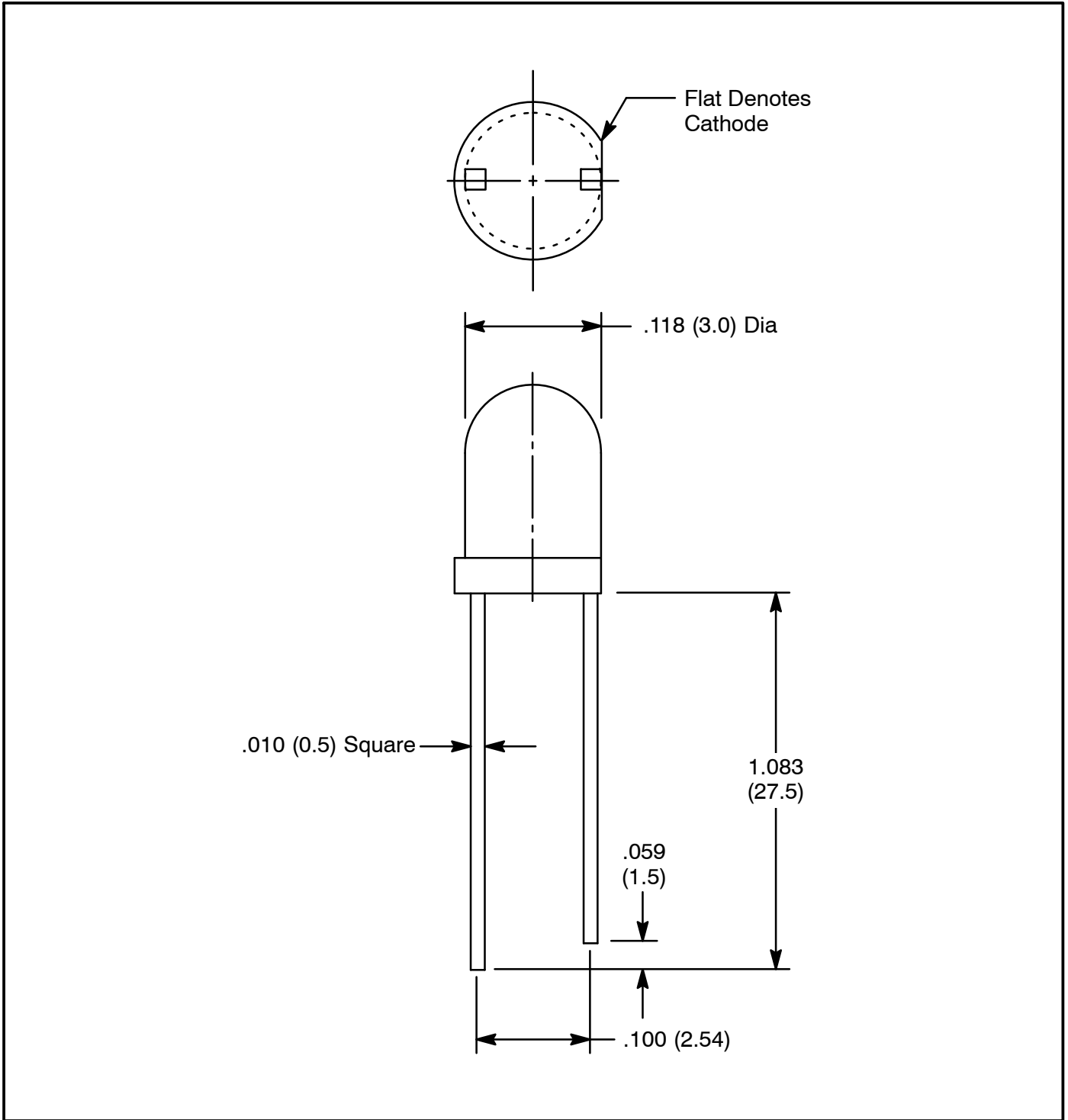
**Electrical Optical Characteristics:** ( $T_A = +25^\circ\text{C}$  unless otherwise specified)

Parameter	Symbol	Test Conditions	Min	Typ	Max	Unit
Forward Voltage NTE30140, NTE30146	$V_F$	$I_F = 20\text{mA}$	2.0	-	2.2	V
All Others			3.0	-	3.2	V
Luminous Intensity NTE30140	$I_V$	$I_F = 20\text{mA}$	500	-	800	mcd
NTE30141			5000	-	7000	mcd
NTE30142, NTE30149			1000	-	1500	mcd
NTE30143			4000	-	6000	mcd
NTE30144			300	-	400	mcd
NTE30145			100	-	150	mcd
NTE30146, NTE30148			100	-	120	mcd
NTE30147			1000	-	2000	mcd
NTE30150			60	-	80	mcd
NTE30151			40	-	50	mcd



**Electrical Optical Characteristics (Cont'd):** ( $T_A = +25^\circ\text{C}$  unless otherwise specified)

Parameter	Symbol	Test Conditions	Min	Typ	Max	Unit
Peak Emission Wavelength NTE30140, NTE30146	$\lambda_p$		620	-	630	nm
NTE30141, NTE30147			515	-	525	nm
NTE30142, NTE30148			460	-	470	nm
NTE30143, NTE30149			8000	-	12000	K
NTE30145, NTE30151			390	-	410	nm
Half Intensity Angle	$2 \theta_{1/2}$		-	30	-	deg



## X-ON Electronics

Largest Supplier of Electrical and Electronic Components

*Click to view similar products for [Standard LEDs - Through Hole category](#):*

*Click to view products by [NTE manufacturer](#):*

Other Similar products are found below :

[LTL-10234W](#) [LTL-10254W](#) [LTL-1214A](#) [LTL-2231AT](#) [LTL-3251A](#) [LTL-4262N](#) [LTL-433P](#) [LTL-5234](#) [LTL87HTBK](#) [LTW-87HD4B](#)  
[HLMP-3507-D00B1](#) [HLMP-EL30-PS0DD](#) [1L0532V23G0TD001](#) [NSPW500CS](#) [NTE30036](#) [NTE30044](#) [NTE30059](#) [LD CQDP-1U3U-W5-1-K](#) [LO566UHR3-70G-A3](#) [LP379PPG1C0G0300001](#) [SLX-LX3044GD](#) [SLX-LX3044ID](#) [SLX-LX3044YD](#) [1.90690.3330000](#) [SSS-LX4673ID-410B](#) [1L0532Y24I0TD001](#) [264-7SYGD/S530-E2](#) [HLMP1385](#) [LTL-10224W](#) [LTL-1224A](#) [LTL-1234A](#) [LTL-1BEHJ-012](#) [LTL-2251AT](#) [LTL-307YE-012](#) [LTL-403HR](#) [LTL-4222](#) [LU7-E-B](#) [4380H1](#) [TLHY44K1L2](#) [HLMP-3962-F0002](#) [HLMP-GG15-R0000](#) [323-2SURD/S530-A3](#)  
[L53SRC/E-Z](#) [L-7679C1ZGC](#) [4302T1-5V](#) [4306D23](#) [4363D1/5](#) [WP1503SRC/J4](#) [WP153GDT](#) [WP153YDT](#)