



ELECTRONICS, INC.
 44 FARRAND STREET
 BLOOMFIELD, NJ 07003
 (973) 748-5089
<http://www.nteinc.com>

NTE30140 thru NTE30151 Discrete LED Indicators 3mm (T-1) Package Type

Features:

- All 3mm Types Available in Multiple Colors and Lens Types:

<u>Color</u>	<u>Water Clear</u>	<u>White Diffused</u>
Red	NTE30140	NTE30146
Green	NTE30141	NTE30147
Blue	NTE30142	NTE30148
White	NTE30143	NTE30149
Pink	NTE30144	NTE30150
UV/Purple	NTE30145	NTE30151

Absolute Maximum Ratings: ($T_A = +25^\circ\text{C}$ unless otherwise specified)

Power Dissipation, P_D	80mW
Peak Forward Current (1/10th Duty Cycle, 0.1ms Pulse Width), I_{FM}	100mA
Continuous Forward Current, I_F	25mA
Derating Linear from $+30^\circ\text{C}$	0.8mA/ $^\circ\text{C}$
Reverse Voltage, V_R	5V
Operating Temperature Range, T_{opr}	-20° to $+80^\circ\text{C}$
Storage Temperature Range, T_{stg}	-30° to $+100^\circ\text{C}$
Lead Temperature (During Soldering, 1.6mm from Body, 5sec Max), T_L	$+260^\circ\text{C}$

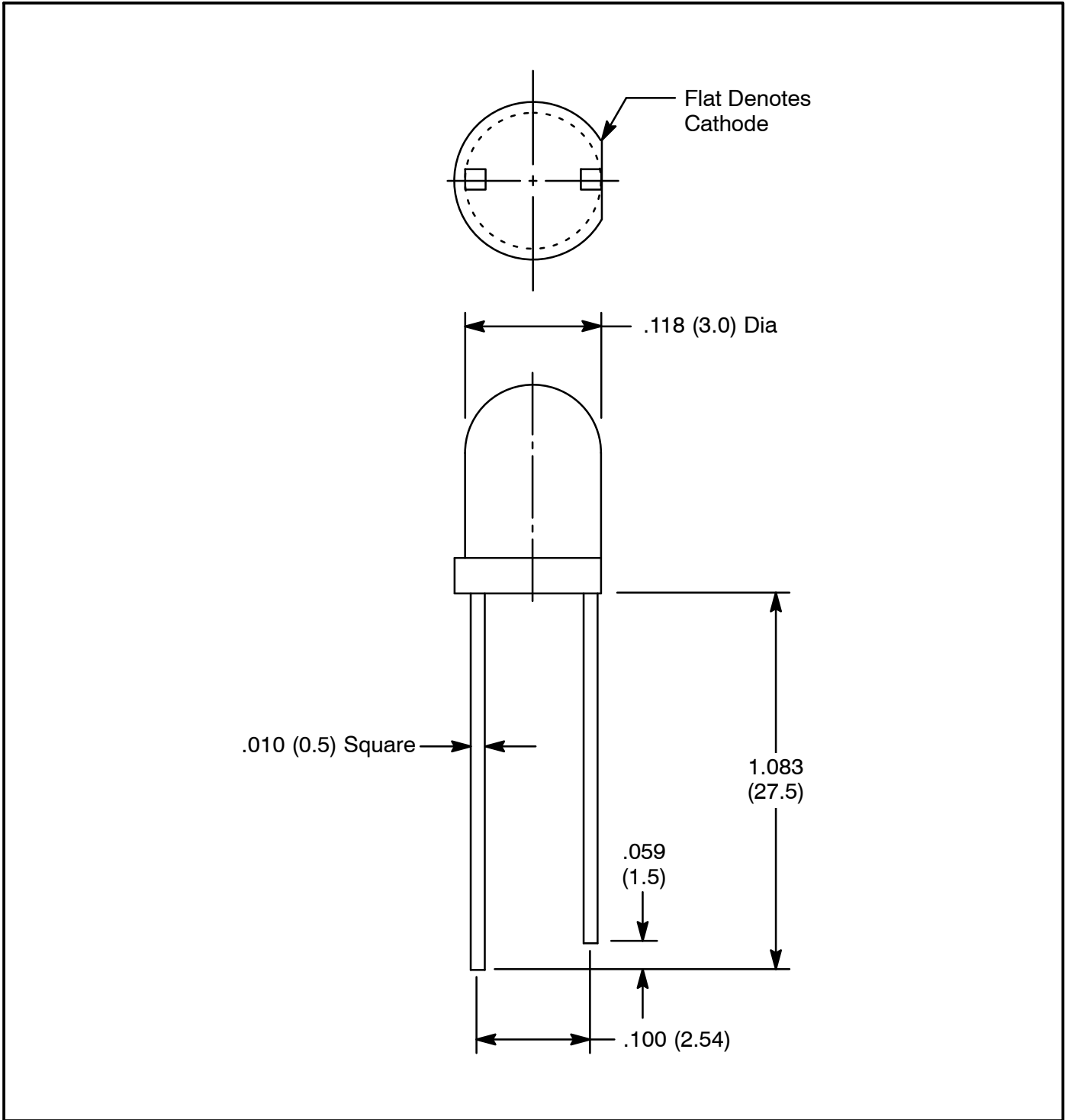
Electrical Optical Characteristics: ($T_A = +25^\circ\text{C}$ unless otherwise specified)

Parameter	Symbol	Test Conditions	Min	Typ	Max	Unit
Forward Voltage NTE30140, NTE30146	V_F	$I_F = 20\text{mA}$	2.0	-	2.2	V
All Others			3.0	-	3.2	V
Luminous Intensity NTE30140	I_V	$I_F = 20\text{mA}$	500	-	800	mcd
NTE30141			5000	-	7000	mcd
NTE30142, NTE30149			1000	-	1500	mcd
NTE30143			4000	-	6000	mcd
NTE30144			300	-	400	mcd
NTE30145			100	-	150	mcd
NTE30146, NTE30148			100	-	120	mcd
NTE30147			1000	-	2000	mcd
NTE30150			60	-	80	mcd
NTE30151			40	-	50	mcd



Electrical Optical Characteristics (Cont'd): ($T_A = +25^\circ\text{C}$ unless otherwise specified)

Parameter	Symbol	Test Conditions	Min	Typ	Max	Unit
Peak Emission Wavelength NTE30140, NTE30146	λ_p		620	-	630	nm
NTE30141, NTE30147			515	-	525	nm
NTE30142, NTE30148			460	-	470	nm
NTE30143, NTE30149			8000	-	12000	K
NTE30145, NTE30151			390	-	410	nm
Half Intensity Angle	$2 \theta_{1/2}$		-	30	-	deg



X-ON Electronics

Largest Supplier of Electrical and Electronic Components

Click to view similar products for [Standard LEDs - Through Hole category](#):

Click to view products by [NTE manufacturer](#):

Other Similar products are found below :

[LTL-10234W](#) [LTL-10254W](#) [LTL-1214A](#) [LTL-2231AT](#) [LTL-3251A](#) [LTL-4262N](#) [LTL-433P](#) [LTL-5234](#) [LTL87HTBK](#) [LTW-87HD4B](#)
[HLMP-3507-D00B1](#) [HLMP-EL30-PS0DD](#) [1L0532V23G0TD001](#) [NSPW500CS](#) [NTE30036](#) [NTE30044](#) [NTE30059](#) [NTE3020](#) [LD CQDP-](#)
[1U3U-W5-1-K](#) [LO566UHR3-70G-A3](#) [LP379PPG1C0G0300001](#) [SLX-LX3044GD](#) [SLX-LX3044ID](#) [SLX-LX3044YD](#) [1.90690.3330000](#) [SSS-](#)
[LX4673ID-410B](#) [1L0532Y24I0TD001](#) [264-7SYGD/S530-E2](#) [HLMP1385](#) [LTL-10224W](#) [LTL-1224A](#) [LTL-1234A](#) [LTL-1BEHJ-012](#) [LTL-](#)
[2251AT](#) [LTL-307YE-012](#) [LTL-403HR](#) [LTL-4222](#) [LU7-E-B](#) [4380H1](#) [TLHY44K1L2](#) [HLMP-3962-F0002](#) [HLMP-GG15-R0000](#) [323-](#)
[2SURD/S530-A3](#) [L53SRC/E-Z](#) [L-7679C1ZGC](#) [4302T1-5V](#) [4306D23](#) [4363D1/5](#) [WP1503SRC/J4](#) [WP153GDT](#)