



ELECTRONICS, INC.
 44 FARRAND STREET
 BLOOMFIELD, NJ 07003
 (973) 748-5089
<http://www.nteinc.com>

NTE30140 thru NTE30151 Discrete LED Indicators 3mm (T-1) Package Type

Features:

- All 3mm Types Available in Multiple Colors and Lens Types:

<u>Color</u>	<u>Water Clear</u>	<u>White Diffused</u>
Red	NTE30140	NTE30146
Green	NTE30141	NTE30147
Blue	NTE30142	NTE30148
White	NTE30143	NTE30149
Pink	NTE30144	NTE30150
UV/Purple	NTE30145	NTE30151

Absolute Maximum Ratings: ($T_A = +25^\circ\text{C}$ unless otherwise specified)

Power Dissipation, P_D	80mW
Peak Forward Current (1/10th Duty Cycle, 0.1ms Pulse Width), I_{FM}	100mA
Continuous Forward Current, I_F	25mA
Derating Linear from $+30^\circ\text{C}$	0.8mA/ $^\circ\text{C}$
Reverse Voltage, V_R	5V
Operating Temperature Range, T_{opr}	-20° to $+80^\circ\text{C}$
Storage Temperature Range, T_{stg}	-30° to $+100^\circ\text{C}$
Lead Temperature (During Soldering, 1.6mm from Body, 5sec Max), T_L	$+260^\circ\text{C}$

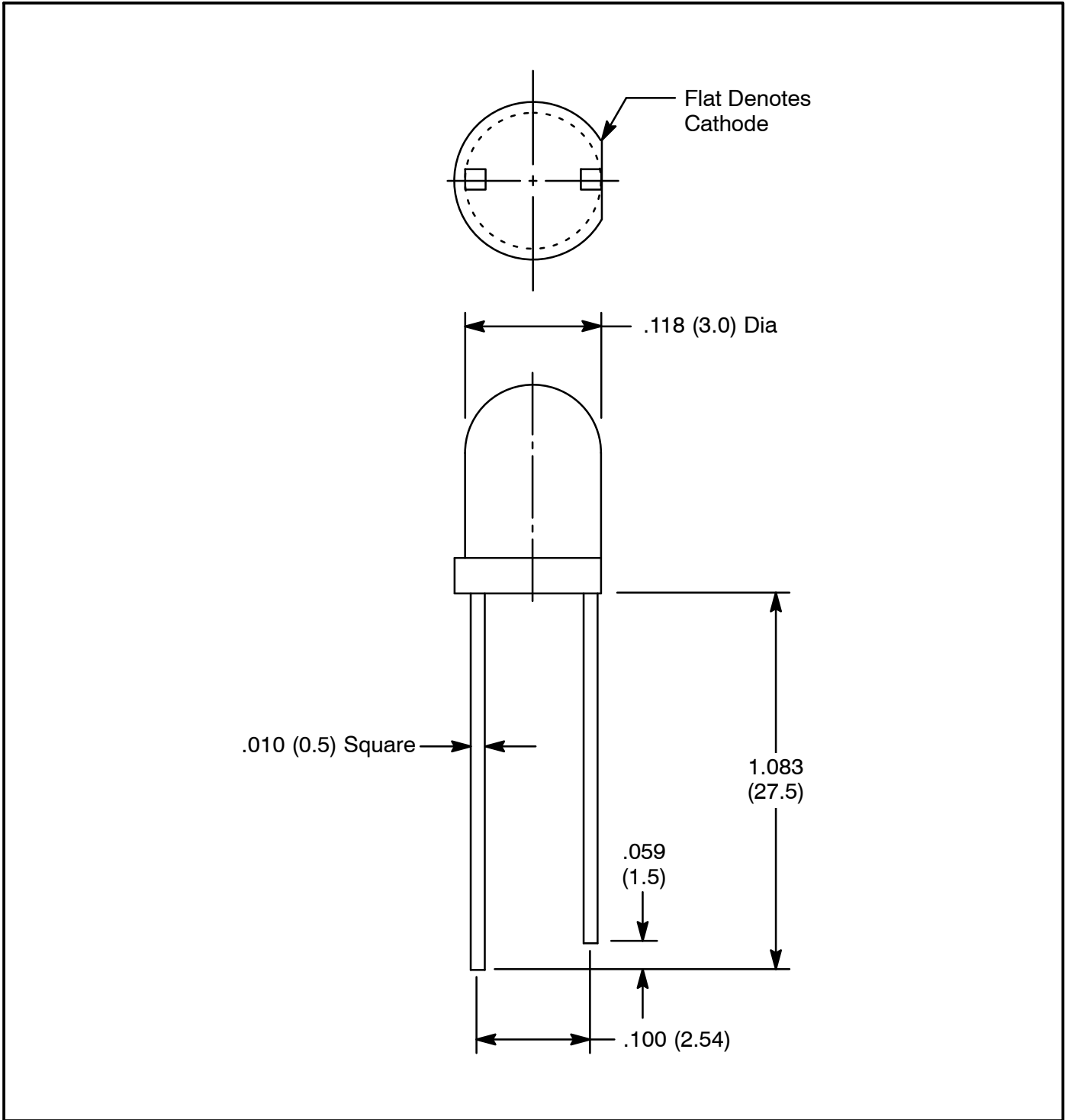
Electrical Optical Characteristics: ($T_A = +25^\circ\text{C}$ unless otherwise specified)

Parameter	Symbol	Test Conditions	Min	Typ	Max	Unit
Forward Voltage NTE30140, NTE30146	V_F	$I_F = 20\text{mA}$	2.0	-	2.2	V
All Others			3.0	-	3.2	V
Luminous Intensity NTE30140	I_V	$I_F = 20\text{mA}$	500	-	800	mcd
NTE30141			5000	-	7000	mcd
NTE30142, NTE30149			1000	-	1500	mcd
NTE30143			4000	-	6000	mcd
NTE30144			300	-	400	mcd
NTE30145			100	-	150	mcd
NTE30146, NTE30148			100	-	120	mcd
NTE30147			1000	-	2000	mcd
NTE30150			60	-	80	mcd
NTE30151			40	-	50	mcd



Electrical Optical Characteristics (Cont'd): ($T_A = +25^\circ\text{C}$ unless otherwise specified)

Parameter	Symbol	Test Conditions	Min	Typ	Max	Unit
Peak Emission Wavelength NTE30140, NTE30146	λ_p		620	-	630	nm
NTE30141, NTE30147			515	-	525	nm
NTE30142, NTE30148			460	-	470	nm
NTE30143, NTE30149			8000	-	12000	K
NTE30145, NTE30151			390	-	410	nm
Half Intensity Angle	$2 \theta_{1/2}$		-	30	-	deg



X-ON Electronics

Largest Supplier of Electrical and Electronic Components

Click to view similar products for [NTE manufacturer](#):

Other Similar products are found below :

[02-LDR12](#) [02-LDR13](#) [02-LDR14](#) [02-LDR15](#) [02-LDR20](#) [02-LDR21](#) [02-LDR22](#) [02-LDR3](#) [02-N101-1](#) [02-N103-1](#) [04-06100SS](#) [04-ACC30](#)
[04-ACC40](#) [04-CCL3129](#) [04-CW07-50](#) [04-CW14-50](#) [04-ESNF1000-10](#) [04-ESNF-1000L](#) [04-ESNF-250L](#) [04-MP10009](#) [04-SCBW19L-GR](#)
[04-SCBW25L-GR](#) [04-SCBW25L-WH](#) [04-SCBW32L-BK](#) [04-SCBW32L-GR](#) [04-SCBW32L-OR](#) [04-SCBW32L-WH](#) [04-SCBW50L-GR](#) [04-](#)
[SCBW50L-OR](#) [04-SCBW6C-GR](#) [04-SCBW6C-OR](#) [04-SCBW6C-WH](#) [04-SCW10C-BK](#) [04-SCW10C-GR](#) [04-SCW10C-OR](#) [04-SCW19L-OR](#)
[04-SCW38L-WH](#) [04-SCW5C-WH](#) [04-SL1.00-G](#) [04-SL1.00-G-10](#) [04-SL1.00-G-5](#) [04-SL1.00-O](#) [04-SL1.00-O-10](#) [04-SL1.00-O-5](#) [04-](#)
[SL1.00-R-5](#) [04-SL1.00-W-10](#) [04-SL1.00-Y-10](#) [04-SL1.00-Y-5](#) [04-SL.250-G](#) [04-SL.250-G-10](#)