



ELECTRONICS, INC.  
 44 FARRAND STREET  
 BLOOMFIELD, NJ 07003  
 (973) 748-5089  
<http://www.nteinc.com>



## NTE3024 Light Emitting Diode (LED) 5mm (T-1 3/4) Package

**Description:**

The NTE3024 is a discrete LED indicator device in a 5mm (T-1 3/4) type package. This greenish-yellow source color device is made with Gallium Phosphide and a green diffused lens.

**Features:**

- Low Power Consumption
- High Efficiency
- Low Current Requirement
- Reliable and Robust

**Applications:**

- TV Sets
- Monitors
- Telephone
- Computer
- Circuit Board

**Absolute Maximum Ratings:** ( $T_A = +25^\circ\text{C}$  unless otherwise specified)

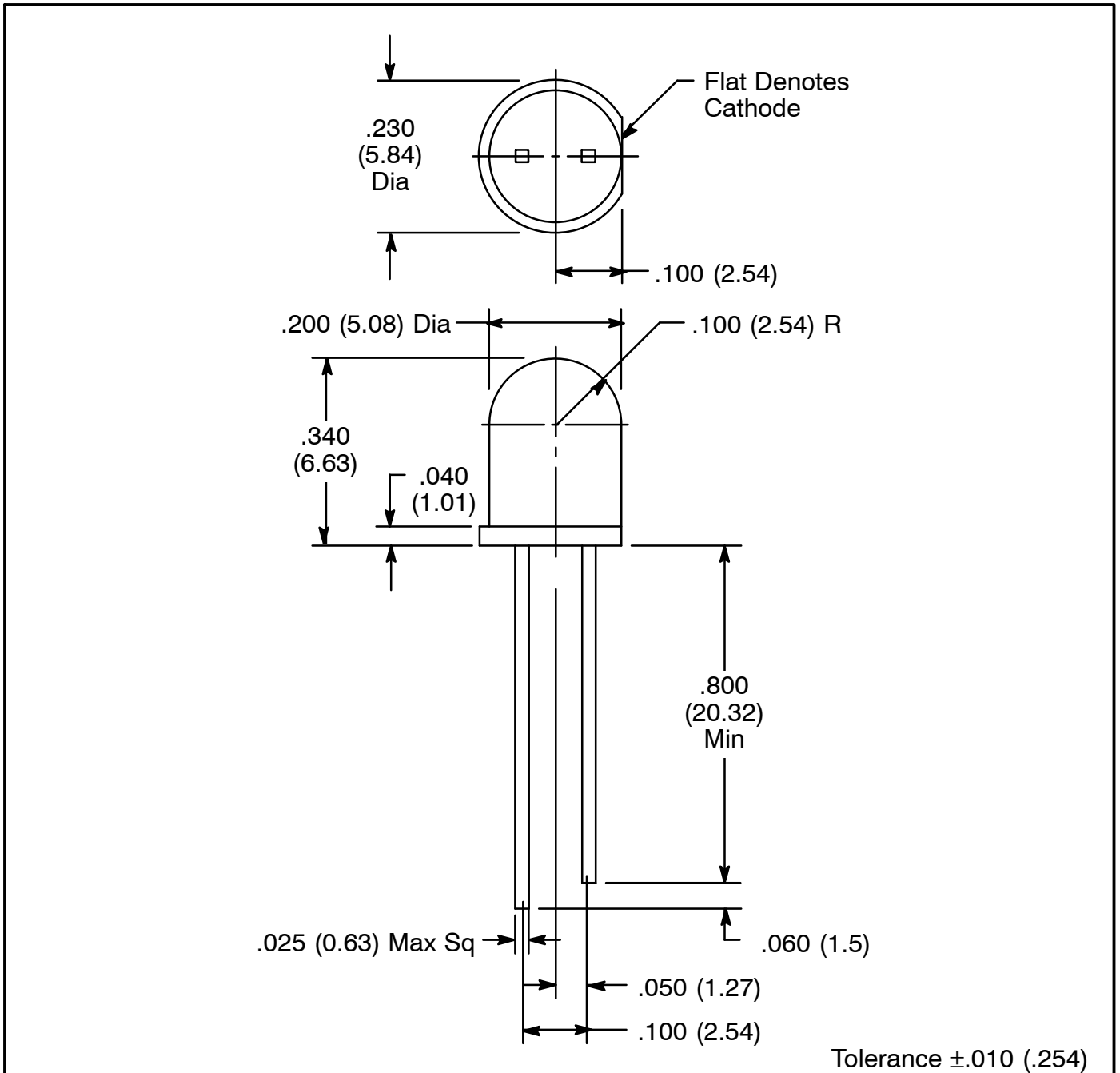
Power Dissipation, $P_D$ .....	105mW
Peak Forward Current (1/10 Duty Cycle, 0.1ms Pulse Width), $I_{F(\text{Peak})}$ .....	150mA
Continuous Forward Current, $I_F$ .....	30mA
Derate Linear from $+50^\circ\text{C}$ .....	0.4mA/ $^\circ\text{C}$
Reverse Voltage, $V_R$ .....	5V
Operating Temperature Range, $T_A$ .....	$-40^\circ$ to $+85^\circ\text{C}$
Storage Temperature Range, $T_{\text{stg}}$ .....	$-40^\circ$ to $+85^\circ\text{C}$
Lead Temperature (During Soldering, 3mm From Body, 5sec Max), $T_L$ .....	$+260^\circ\text{C}$

**Electrical/Optical Characteristics:** ( $T_A = +25^\circ\text{C}$  unless otherwise specified)

Parameter	Symbol	Test Conditions	Min	Typ	Max	Unit
Luminous Intensity	$I_V$	$I_F = 20\text{mA}$	45	55	-	mcd
Viewing Angle of Half Power	$2\theta^{1/2}$	$I_F = 20\text{mA}$	-	35	-	deg.
Peak Emission Wavelength	$\lambda_P$	$I_F = 20\text{mA}$	-	572	-	nm
Dominant Emission Wavelength	$\lambda_D$	$I_F = 20\text{mA}$	565	-	575	nm
Full Width at Half Max	$\Delta\lambda$	$I_F = 20\text{mA}$	-	25	-	nm
Forward Voltage	$V_F$	$I_F = 20\text{mA}$	-	2.2	2.6	V
Reverse Current	$I_R$	$V_R = 5\text{V}$	-	-	10	$\mu\text{A}$

Note 1. Luminous intensity is measured with a light sensor and filter combination that approximates the CIE eye-response curve.

Note 2.  $\theta^{1/2}$  is the off-axis angle at which the luminous intensity is half the axial luminous intensity.



## X-ON Electronics

Largest Supplier of Electrical and Electronic Components

*Click to view similar products for [Standard LEDs - Through Hole category](#):*

*Click to view products by [NTE manufacturer](#):*

Other Similar products are found below :

[LTL-10234W](#) [LTL-10254W](#) [LTL-1214A](#) [LTL-2231AT](#) [LTL-3251A](#) [LTL-4262N](#) [LTL-433P](#) [LTL-5234](#) [LTL87HTBK](#) [LTW-87HD4B](#)  
[HLMP-3507-D00B1](#) [HLMP-EL30-PS0DD](#) [1L0532V23G0TD001](#) [NSPW500CS](#) [NTE30036](#) [NTE30044](#) [NTE30059](#) [NTE3020](#) [LD CQDP-](#)  
[1U3U-W5-1-K](#) [LO566UHR3-70G-A3](#) [LP379PPG1C0G0300001](#) [SLX-LX3044GD](#) [SLX-LX3044ID](#) [SLX-LX3044YD](#) [1.90690.3330000](#) [SSS-](#)  
[LX4673ID-410B](#) [1L0532Y24I0TD001](#) [264-7SYGD/S530-E2](#) [HLMP1385](#) [LTL-10224W](#) [LTL-1224A](#) [LTL-1234A](#) [LTL-1BEHJ-012](#) [LTL-](#)  
[2251AT](#) [LTL-307YE-012](#) [LTL-403HR](#) [LTL-4222](#) [LU7-E-B](#) [4380H1](#) [TLHY44K1L2](#) [HLMP-3962-F0002](#) [HLMP-GG15-R0000](#) [323-](#)  
[2SURD/S530-A3](#) [L53SRC/E-Z](#) [L-7679C1ZGC](#) [4302T1-5V](#) [4306D23](#) [4363D1/5](#) [WP1503SRC/J4](#) [WP153GDT](#)