



ELECTRONICS, INC.
 44 FARRAND STREET
 BLOOMFIELD, NJ 07003
 (973) 748-5089

NTE3031 Phototransistor Detector NPN-Si, Visible & IR

Absolute Maximum Ratings: ($T_A = +25^\circ\text{C}$ unless otherwise specified)

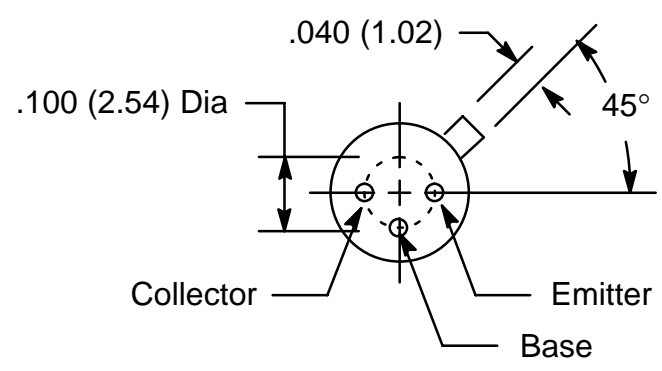
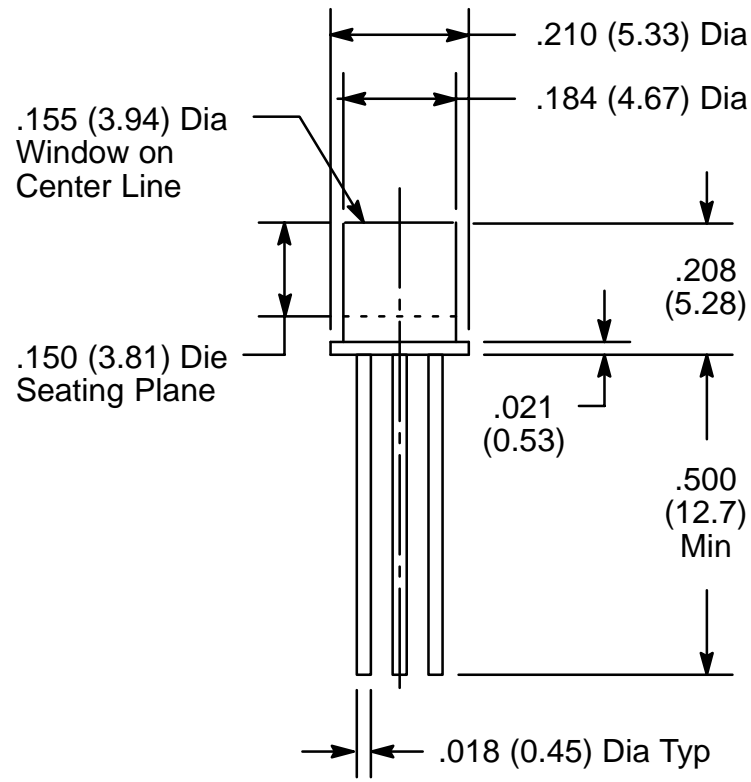
| | |
|---|-------------------------------------|
| Collector-Emitter Voltage, V_{CEO} | 30V |
| Emitter-Collector Voltage, V_{ECO} | 5V |
| Continuous Device Dissipation, P_D | 150mW |
| Derate Above 25°C | 1.43mW/ $^\circ\text{C}$ |
| Operating Junction Temperature Range, T_J | -55° to $+125^\circ\text{C}$ |
| Storage Temperature Range, T_{stg} | -65° to $+150^\circ\text{C}$ |
| Lead temperature (During Soldering, 3 min), T_L | $+260^\circ\text{C}$ |

Electrical Characteristics: ($T_A = +25^\circ\text{C}$ unless otherwise specified)

| Parameter | Symbol | Test Conditions | Min | Typ | Max | Unit |
|-------------------------------------|---------------|--|-----|-----|-----|---------|
| Static Characteristics | | | | | | |
| Collector Dark Current | I_D | $V_{CE} = 10V$ | - | - | 100 | nA |
| Collector-Emitter Breakdown Voltage | $V_{(BR)CEO}$ | $I_C = 100\mu A$ | 30 | - | - | V |
| Emitter-Collector Breakdown Voltage | $V_{(BR)ECO}$ | $I_E = 100\mu A$ | 5 | - | - | V |
| Saturation Voltage | $V_{CE(sat)}$ | $I_C = 0.4mA$ | - | 0.2 | - | V |
| Optical Characteristics | | | | | | |
| Light Current | I_L | $V_{CE} = 5V, R_L = 100\Omega$, Note 1 | 1 | - | - | mA |
| Photo Current Rise Time | t_r | $R_L = 1000\Omega, V_{CC} = 5V,$ $I_L = 1mA$ (Peak) | - | 6 | - | μs |

Note 1. Radiation flux density (H) equal to $5mW/cm^2$ emitted from a tungsten source at a color temperature of 2875 K.

Note 2. Angular response is defined as the total included angle between the half sensitivity points and assuming a point source.



X-ON Electronics

Largest Supplier of Electrical and Electronic Components

Click to view similar products for [NTE manufacturer](#):

Other Similar products are found below :

[02-LDR1](#) [02-LDR12](#) [02-LDR13](#) [02-LDR14](#) [02-LDR15](#) [02-LDR2](#) [02-LDR20](#) [02-LDR21](#) [02-LDR22](#) [02-LDR23](#) [02-LDR3](#) [02-LDR4](#) [02-N101-1](#) [02-N103-1](#) [04-04180](#) [04-06100SS](#) [04-ACC10](#) [04-ACC20](#) [04-ACC30](#) [04-ACC40](#) [04-CCL3129](#) [04-CW07-50](#) [04-CW14-50](#) [04-ES-1000](#) [04-ESNF1000-10](#) [04-ESNF-1000L](#) [04-ESNF-250L](#) [04-ESNF-375L](#) [04-MP10009](#) [04-SCBW19L-GR](#) [04-SCBW25L-BK](#) [04-SCBW25L-GR](#) [04-SCBW25L-WH](#) [04-SCBW32L-BK](#) [04-SCBW32L-GR](#) [04-SCBW32L-OR](#) [04-SCBW32L-WH](#) [04-SCBW50L-GR](#) [04-SCBW50L-OR](#) [04-SCBW6C-GR](#) [04-SCBW6C-OR](#) [04-SCBW6C-WH](#) [04-SCW10C-BK](#) [04-SCW10C-GR](#) [04-SCW10C-OR](#) [04-SCW19L-OR](#) [04-SCW5C-WH](#) [04-SL1.00-G](#) [04-SL1.00-G-10](#) [04-SL1.00-G-5](#)