



ELECTRONICS, INC.
 44 FARRAND STREET
 BLOOMFIELD, NJ 07003
 (973) 748-5089
<http://www.nteinc.com>

NTE3037 Silicon NPN Phototransistor Detector

Description:

The NTE3037 is designed for counters, Industrial and process control, sorters, switching and logic controls. This device is packaged in a TO-18 case with domed glass lid.

Features:

- High Sensitivity
- Base Contact Externally Available
- Saturation Level Directly Compatible with Most TTL

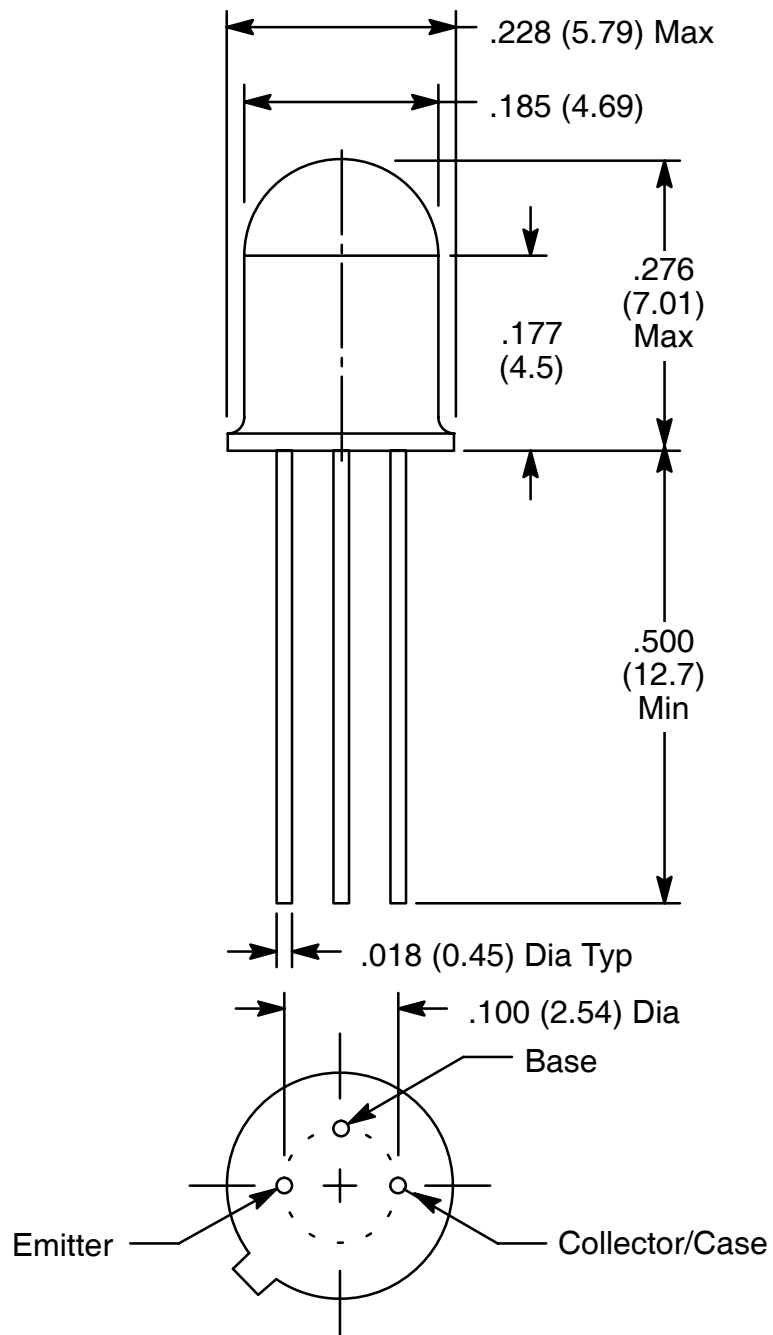
Absolute Maximum Ratings: ($T_A = +25^\circ\text{C}$ unless otherwise specified)

Collector–Emitter Voltage, V_{CEO}	40V
Collector–Base Voltage, V_{CBO}	50V
Emitter–Base Voltage, V_{EBO}	5V
Emitter–Collector Voltage, V_{ECO}	5V
Collector Current (I_L), I_C	50mA
Collector Power Dissipation, P_C	150mW
Derate Above 25°C	1.2mW/ $^\circ\text{C}$
Operating Temperature Range, T_{opr}	-30° to $+125^\circ\text{C}$
Storage Temperature Range, T_{stg}	-65° to $+150^\circ\text{C}$
Lead Temperature (During Soldering, 1.5mm from body, 5sec max), T_L	$+260^\circ\text{C}$

Opto–Electrical Characteristics: ($T_A = +25^\circ\text{C}$ unless otherwise specified)

Parameter	Symbol	Test Conditions	Min	Typ	Max	Unit
Dark Current	I_D (I_{CEO})	$V_{CE} = 30V, E = 0$	–	10	200	μA
Light Current	I_L	$V_{CE} = 3V, E = 0.1\text{mW}/\text{cm}^2$, Note 1	60	200	–	μA
Collector–Emitter Saturation Voltage	$V_{CE(sat)}$	$I_C = 30\mu\text{A}, E = 0.1\text{mW}/\text{cm}^2$, Note 1	–	0.25	0.4	V
Rise Time	t_r	$V_{CC} = 10V, I_C = 10\text{mA}$, $R_L = 100\Omega$	–	2	–	μs
Fall Time	t_f		–	2	–	μs

Note 1. Color temperature = 2870°K , Standard Tungsten Lamp.



X-ON Electronics

Largest Supplier of Electrical and Electronic Components

Click to view similar products for [NTE manufacturer](#):

Other Similar products are found below :

[5W127](#) [5W5D0](#) [5WD10](#) [747](#) [797](#) [868](#) [R04-11A30-24](#) [RIM-IAC5](#) [1724](#) [NEH100M6.3BA](#) [NEH1.0M63AA](#) [NEH.33M100AA](#)
[NEH3.3M100BA](#) [NEH.47M100AA](#) [NEH680M100GF](#) [NEHH1.0M450CB](#) [NEHH4.7M160BB](#) [NEV.33M100AA](#) [NEVH1.0M160AA](#)
[NEVH1.0M250AB](#) [NEVH3.3M250BB](#) [NEVH3.3M450CC](#) [NTE131](#) [NTE1389](#) [NTE1396](#) [NTE1416](#) [NTE1728](#) [NTE1751](#) [NTE1759](#)
[NTE1780](#) [NTE1813](#) [NTE1837](#) [NTE1845](#) [NTE1863](#) [NTE1872](#) [NTE187A](#) [NTE1897](#) [NTE1915](#) [NTE1964](#) [NTE2085](#) [NTE226](#) [NTE2323](#)
[NTE233](#) [NTE2409](#) [NTE2540](#) [NTE369](#) [NTE48](#) [NTE5156A](#) [NTE526A](#) [NTE5524](#)