



ELECTRONICS, INC.
 44 FARRAND STREET
 BLOOMFIELD, NJ 07003
 (973) 748-5089
<http://www.nteinc.com>

NTE3044 Optoisolator NPN Darlington Transistor Output

Description:

The NTE3044 consists of a gallium arsenide infrared emitting diode optically coupled to a monolithic silicon photodarlington detector in an 6-Lead DIP type package. This device is designed for use in applications requiring high sensitivity at a low input current.

Features:

- High Sensitivity to Low Input Drive Current
- High Collector–Emitter Breakdown Voltage
- No Base Connection for Improved Noise Immunity

Applications:

- Appliances, Measuring Instruments
- I/O Interfaces for Computers
- Programmable Controllers
- Portable Electronics
- Interfacing and Coupling Systems of Different Potentials and Impedances
- Solid State Relays

Absolute Maximum Ratings: ($T_A = +25^\circ\text{C}$ unless otherwise specified)

Input LED

Reverse Voltage, V_R	3V
Continuous Forward Current, I_F	60mA
LED Power Dissipation (with Negligible Power in Output Detector, $T_A = +25^\circ\text{C}$), P_D	120mW
Derate Above 25°C	1.41mW/ $^\circ\text{C}$

Output Detector

Collector–Emitter Voltage, V_{CEO}	80V
Emitter–Collector Voltage, V_{ECO}	5V
Detector Power Dissipation (with Negligible Power in Output Detector, $T_A = +25^\circ\text{C}$), P_D ..	150mW
Derate Above 25°C	1.76mW/ $^\circ\text{C}$

Total Device

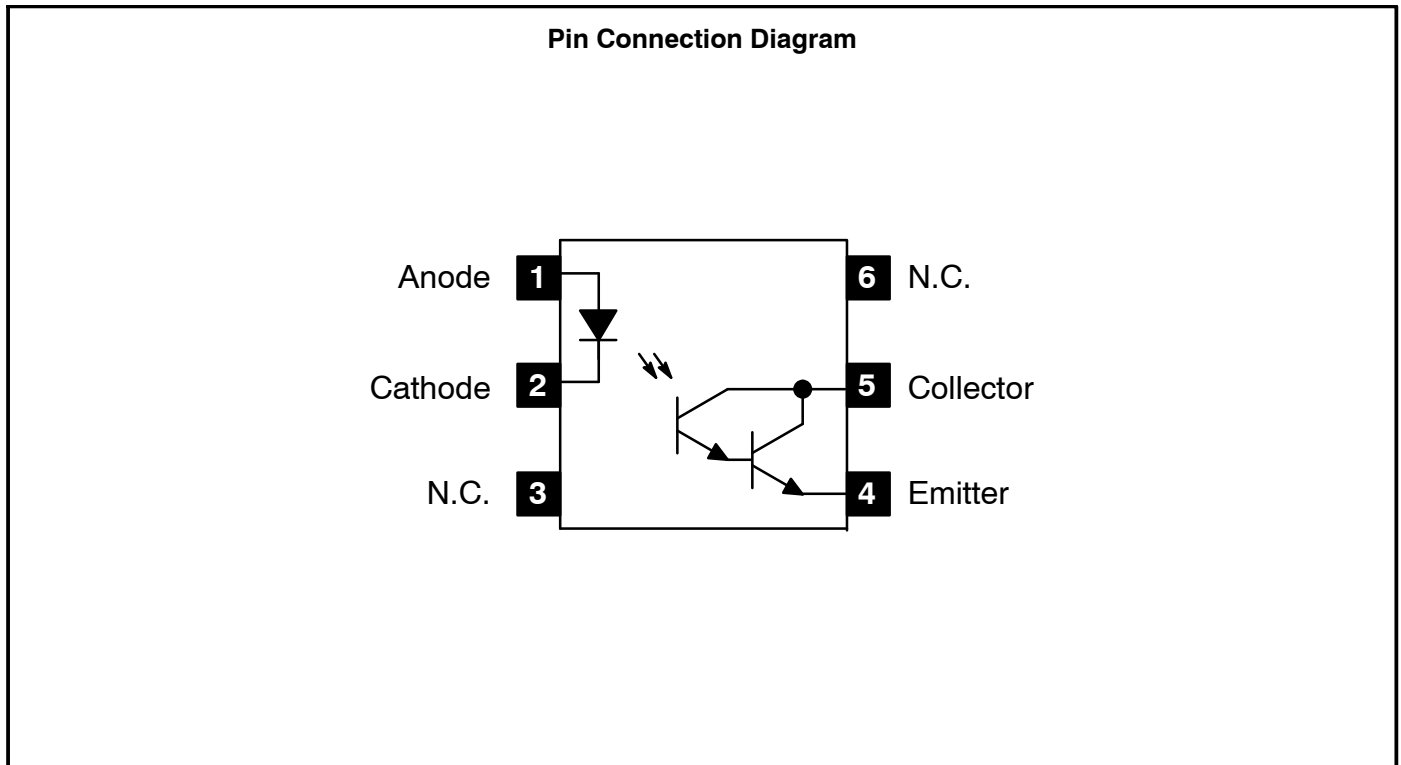
Isolation Surge Voltage (Peak AC Voltage, 60Hz, 1sec Duration, Note 1), V_{ISO}	7500V
Total Device Power Dissipation ($T_A = +25^\circ\text{C}$), P_D	250mW
Derate Above 25°C	2.94mW/ $^\circ\text{C}$
Ambient Operating Temperature Range, T_A	-55° to $+100^\circ\text{C}$
Storage Temperature Range, T_{stg}	-55° to $+150^\circ\text{C}$
Lead Temperature (During Soldering, 1/16" from Case, 10sec), T_L	$+260^\circ\text{C}$

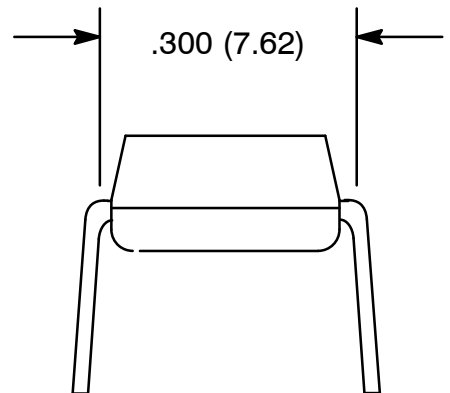
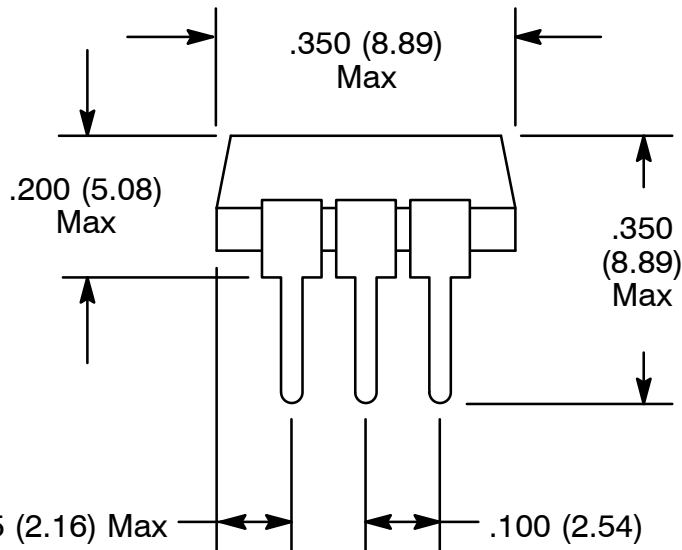
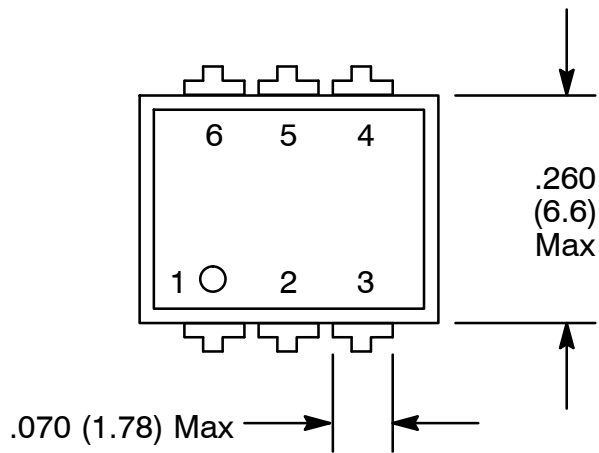
Note 1. Isolation surge voltage is an internal dielectric breakdown rating. For this test, Pin1 and Pin2 are common, and Pin4, Pin5, and Pin6 are common.

Electrical Characteristics: ($T_A = +25^\circ\text{C}$ unless otherwise specified)

Parameter	Symbol	Test Conditions	Min	Typ	Max	Unit
Input LED						
Reverse Leakage Current	I_R	$V_R = 3\text{V}$	-	0.05	10	μA
Forward Voltage	V_F	$I_F = 10\text{mA}$	-	1.15	2.0	V
Capacitance	C	$V_R = 0, f = 1\text{MHz}$	-	18	-	pF
Photodarlington ($I_F = 0$)						
Collector–Emitter Dark Current	I_{CEO}	$V_{CE} = 60\text{V}$	-	-	1	μA
Collector–Emitter Breakdown Voltage	$V_{(BR)CEO}$	$I_C = 1\text{mA}$	80	-	-	V
Emitter–Collector Breakdown Voltage	$V_{(BR)ECO}$	$I_E = 100\mu\text{A}$	5	-	-	V
Coupled						
Collector Output Current	I_C	$V_{CE} = 1.5\text{V}, I_F = 10\text{mA}$	30	-	-	mA
Isolation Surge Voltage	V_{ISO}	60Hz Peak AC, 5sec, Note 2, Note 3	7500	-	-	V
Isolation Resistance	R_{ISO}	$V = 500\text{V}$, Note 2	-	10^{11}	-	Ω
Isolation Capacitance	C_{ISO}	$V = 0, f = 1\text{MHz}$, Note 2	-	0.2	-	pF
Switching						
Turn–On Time	t_{on}	$V_{CC} = 10\text{V}, R_L = 100\Omega,$ $I_F = 5\text{mA}$	-	3.5	-	μs
Turn–Off Time	t_{off}		-	95	-	μs
Rise Time	t_r		-	1	-	μs
Fall Time	t_f		-	2	-	μs

Note 2. For this test, LED Pin1 and Pin2 are common and Phototransistor Pin4 and Pin5 are common.
 Note 3. Isolation Surge Voltage, V_{ISO} , is an internal device dielectric breakdown rating.





X-ON Electronics

Largest Supplier of Electrical and Electronic Components

Click to view similar products for [Transistor Output Optocouplers](#) category:

Click to view products by [NTE manufacturer](#):

Other Similar products are found below :

[LTV-814S-TA](#) [LTV-824HS](#) [LTV-852S](#) [66095-001](#) [MCT6-X007](#) [MOC8101-X017T](#) [PS2561-1-A](#) [PS2561A-1-W-A](#) [PS2561B-1-L-A](#)
[PS2561L-1-V-A](#) [MRF658](#) [IL755-1X007](#) [ILD74-X001](#) [ILQ615-3X016](#) [LDA102S](#) [LDA110S](#) [SFH615AGR-X007T](#) [PS2561-1-V-W-A](#)
[PS2561AL-1-V-A](#) [PS2561L1-1-L-A](#) [PS2701A-1-F3-P-A](#) [PS2801-1-F3-P-A](#) [PS2911-1-L-AX](#) [CNY17-4X001](#) [CNY17-4X017](#) [CNY17F-](#)
[1X007](#) [CNY17F-2X017](#) [CNY17F-4X001](#) [CNY17G-1](#) [LTV-214](#) [LTV-702V](#) [LTV-702VB](#) [LTV-733S](#) [LTV-816S-TA](#) [LTV-825S](#) [TCET2100](#)
[TLP187\(TPL,E\(T](#) [4N25-X007T](#) [IL215AT](#) [ILD615-1X007](#) [ILQ2-X007](#) [VOS615A-2T](#) [WPPC-A11066AA](#) [WPPC-A11066AD](#) [WPPC-](#)
[A11084ASS](#) [WPPC-A21068AA](#) [WPPC-D11066AA](#) [WPPC-D21068ED](#) [WPPC-D410616EA](#) [WPPC-D410616ED](#)