



ELECTRONICS, INC.
 44 FARRAND STREET
 BLOOMFIELD, NJ 07003
 (973) 748-5089
<http://www.nteinc.com>

NTE3078 & NTE3079 0.56" Single Digit Numeric Display Seven Segment, RHDP

Description:

The NTE3078 (Common Anode) and NTE3079 (Common Cathode) are 0.56 inch (14.2mm) height single digit displays utilizing LED chips which are made from GaAsP on a GaAs substrate.

Features:

- 0.56 Inch (14.2mm) Digit Height
- Low Power Requirement
- Excellent Characters Appearance
- Catagorized for Luminous Intensity
- IC Compatible
- Easy Mounting on PC Board or Socket

Absolute Maximum Ratings: ($T_A = +25^{\circ}\text{C}$ unless otherwise specified)

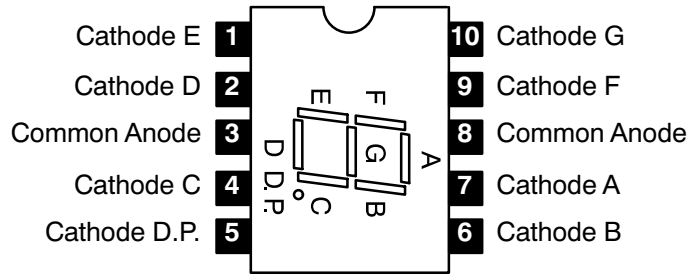
Power Dissipation (Per Segment), P_T 100mW
 Peak Forward Current (Per Segment, 1/10 Duty Cycle, 0.1ms Pulse Width), I_{Fpeak} 100mA
 Continuous Forward Current (Per Segment), I_F 40mA
 Derate Linearly from 50°C (Per Segment) $0.40\text{mA}/^{\circ}\text{C}$
 Reverse Voltage (Per Segment), V_R 5V
 Operating Temperature Range, T_{opr} -40° to $+80^{\circ}\text{C}$
 Storage Temperature Range, T_{stg} -40° to $+85^{\circ}\text{C}$
 Lead Temperatue (During Solder, 1/16" Below Seating Plane, 3sec max), T_L $+260^{\circ}\text{C}$

Electrical/Optical Characteristics: ($T_A = +25^{\circ}\text{C}$ unless otherwise specified)

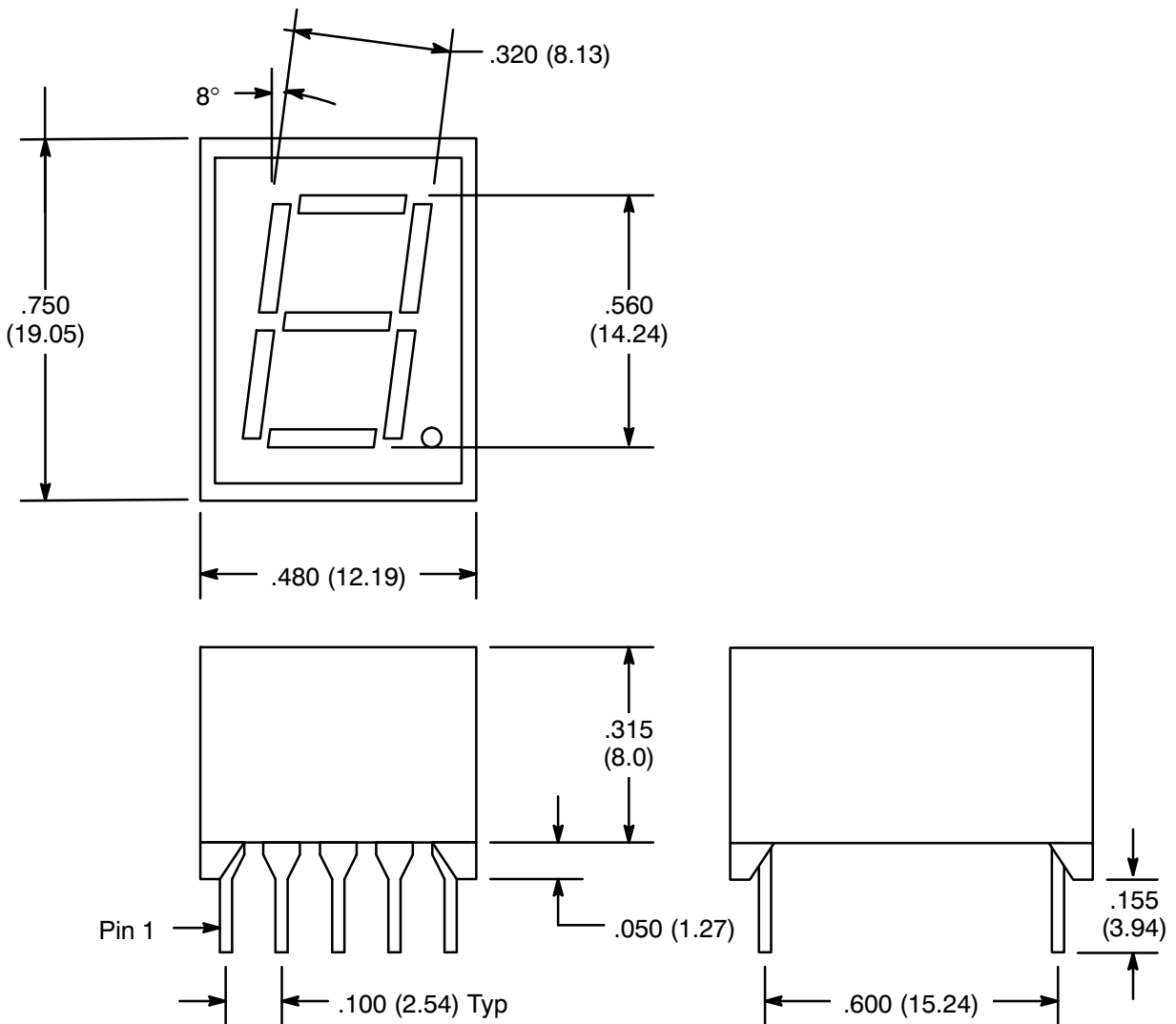
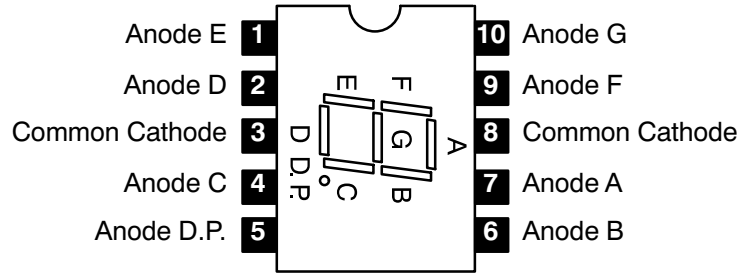
Parameter	Symbol	Test Conditions	Min	Typ	Max	Unit
Average Luminous Intensity: NTE3078 NTE3079	I_V	$I_F = 20\text{mA}$	12	18	32	mcd
	I_V	$I_F = 20\text{mA}$	7	12	18	mcd
Peak Emission Wavelength	λ_P	$I_F = 20\text{mA}$	640	644	650	nm
Spectral Line Half-Width	$\Delta\lambda$	$I_F = 20\text{mA}$	19	24	29	nm
Forward Voltage, Any Segment or D.P.	V_F	$I_F = 20\text{mA}$	1.6	1.85	2.4	V
Reverse Current, Any Segment or D.P.	I_R	$V_R = 5\text{V}$	-	-	100	μA

Pin Connection Diagram

NTE3078



NTE3079



X-ON Electronics

Largest Supplier of Electrical and Electronic Components

Click to view similar products for [LED Displays & Accessories](#) category:

Click to view products by [NTE manufacturer](#):

Other Similar products are found below :

[LTC-2721WC](#) [LTC-4624JD](#) [LTC-4627G](#) [LTC-4627WC](#) [LTC-571P](#) [LTD-5021AWC](#) [LTM-8522G](#) [LTP-4323P](#) [LTP-747G](#) [LTS-3361JG-06](#)
[1668](#) [HT-F196NB-5323](#) [IPD2131-27](#) [LDQ-N514RI](#) [LDS-A3506RD](#) [LDS-A3926RI](#) [SC03-12HDB](#) [SI-B9T151550WW](#) [SI-B9V171550WW](#)
[SLC-3PF-WL](#) [SLDN-32M-G](#) [1624](#) [LTC-2621JD](#) [LTC-2623WC](#) [LTC-4624P](#) [LTC-4627JD](#) [LTC-5623JD-20](#) [LTD-322G](#) [LTD-482PC](#) [LTP-](#)
[1057AHR](#) [LTP-1457AKR](#) [LTP-3784G-01](#) [LTS-313AP](#) [LTS-4812SKR-P](#) [LTS-547AE](#) [LTS-6780P](#) [446010401-3](#) [HV-7W30-6829](#) [DA43-](#)
[11GWA](#) [LDD-E305RI](#) [LDQ-N3402RI](#) [LDQ-N3606RI](#) [LDS-A3924RI-SI](#) [LDT-M2804RI](#) [86004CB830](#) [LTP-3862JD](#) [LTP-2088AKD](#) [LTD-](#)
[6740P](#) [LTS-6880Y](#) [LDS-SMC3002RISUGTR](#)